

Angular gear Ket-Bee 200X

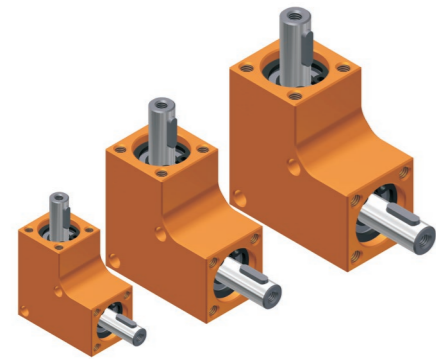
* Measured with the three point measuring screw

Description

A bevel gearbox family consisting of 7 sizes for versatile use as an angular gearbox. The gearbox is characterised by a compact design with maximum torque, sturdiness and smooth power transmission. The uncomplicated mounting is made possible by a simple screw fixing.

Special features

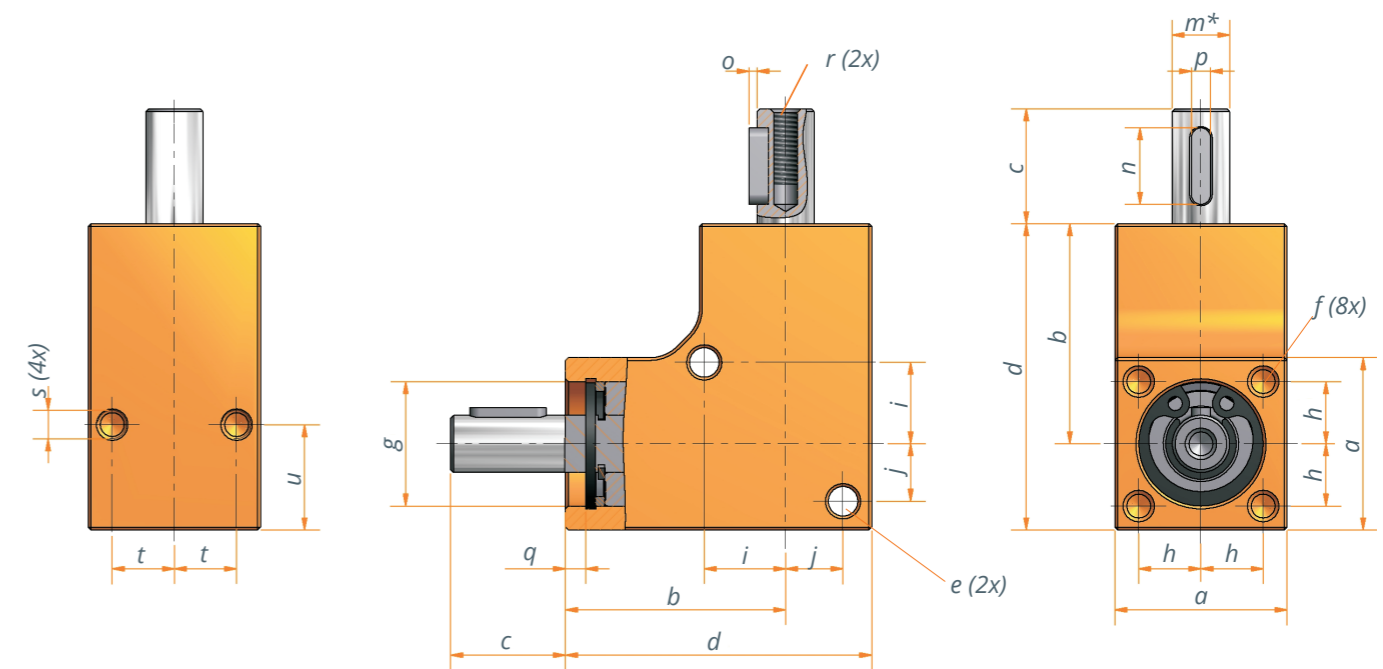
- Maintenance-free
- Steel bevel wheels, case-hardened
- Aluminium housing, anodized (orange or silver)
- Silent running
- Ratio 1:1
- Permitted operating temp. -20°C to +60°C
- Backlash at drive shaft 3° ± 1°
- Duty cycle 20 % at 5 min (1 min ON, 4 min OFF)
- Lifetime of 1000 hours with:
 - full load and
 - input speed of 500 rpm and
 - duty cycle 20% with 5 min



Technical data

Type	Speed n in rpm	Max. torque M in Nm	Radial and axial load		Part weight in kg	Item.-Nr.
			FR in N	FN in N		
Type A	100/500/1000	0.35/0.1/0.05	60	60	0.052	2001.00-0001
Type B	100/500/1000	0.75/0.3/0.15	100	100	0.073	2002.00-0001
Type C	100/500/1000	2.5/1.0/0.5	120	120	0.142	2003.00-0001
Type D	100/500/1000	4.0/1.5/0.75	140	140	0.189	2004.00-0001
Type E	100/500/1000	5.0/2.0/1.0	240	240	0.268	2005.00-0001
Type F	100/500/1000	8.0/3.0/1.5	550	550	0.330	2006.00-0001
Type G	100/500/1000	10.0/4.0/2.0	550	550	0.395	2007.00-0001

The position of the feather keys are not exactly aligned at 90° to each other in the standard. Possible on request if required.



The position of the feather keys are not exactly aligned at 90° to each other in the standard. Possible on request if required.

Technical notes

Type	Dimensions in mm																			
	a	b	c	d	e	f	g	h	i	j	m*	n	o	p	q	r	s	t	u	
A	18	23	12	32	∅3.1	M3x10	13	6.5	8.5	6	∅6j6	8	0.8	2	2.1	M3x8	M3x6	6.5	11	
B	20	25	12	35	∅3.1	M3x10	16	7.5	10	7	∅8j6	8	0.8	2	2.05	M3x8	M3x6	7.5	10	
C	24	30	16	42	∅4.1	M4x10	19	9	12	8	∅10j6	12	1.5	4	2	M4x8	M4x8	9	16	
D	26	33	16	46	∅4.1	M4x10	21	10	13	9	∅12j6	12	1.5	4	2	M5x8	M4x8	10	16	
E	30	38	16	53	∅4.1	M4x10	24	11	15	11	∅12j6	12	1.5	4	2.1	M5x8	M4x8	11	16	
F	32	40	16	56	∅4.1	M4x10	28	12	17	12	∅12j6	12	1.5	4	2.1	M5x8	M4x8	12	16	
G	35	42,5	16	60	∅4.1	M4x10	30	13	17.5	13.5	∅12j6	12	1.5	4	2.1	M5x8	M4x8	13	16	

Calculation of the mechanical power

E.g. Type E

$$p = \frac{M \times n}{9550} \quad p = \frac{2,0 \text{ Nm} \times 500 \text{ 1/min.}}{9550} = 0,1 \text{ kw}$$

M = Torque

n = Revolution