

Worm gear 2010

Description

Universally usable and maintenance-free worm gearbox in a size with an axle spacing of 20 mm and eight different transmission ratios. The housing is encapsulated to prevent the escape of grease and the ingress of dust. The worm wheel assembly is left-handed. The direction of rotation on the shaft is arbitrary.

Special features

- Maintenance-free grease lubrication
- Aluminium housing, anodized, (orange in standard), other colors also possible upon customer request
- Axial distance 20 mm
- 8 ratios of 1:1 to 65:1
- Backlash on the drive shaft $1^\circ \pm 0.5^\circ$
- Duty cycle of 20 % at 5 min (1 min ON, 4 min OFF)
- Lifetime of 1000 hours with:
 - full load and
 - input speed of 500 rpm and
 - duty cycle 20 % with 5 min and
 - ambient temperature 20 C°

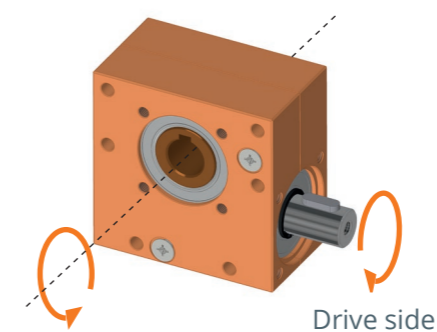
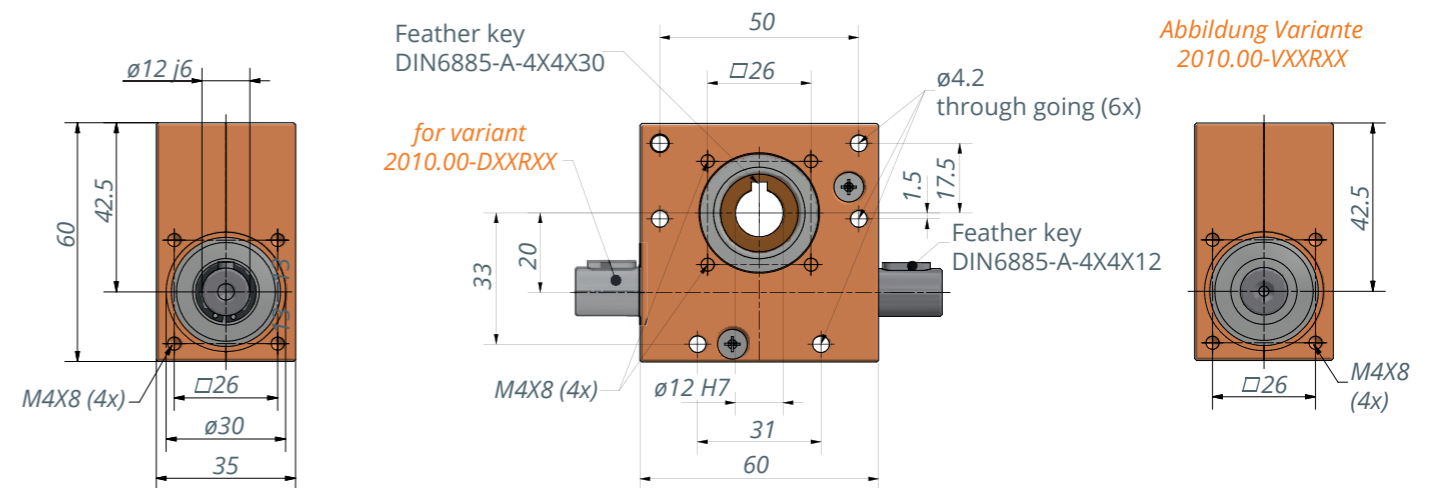
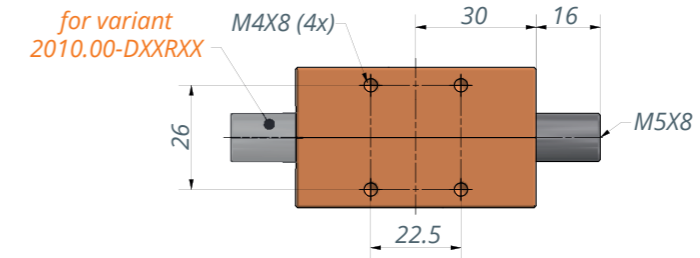


Variant key

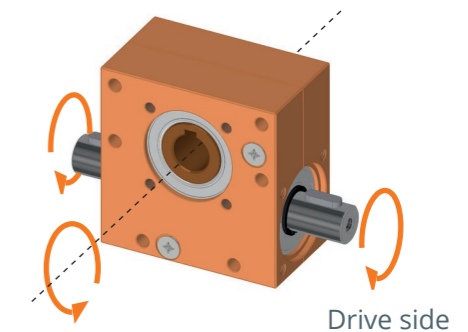
- Variant 2010.00-VXXRXX with one entrance and one exit
- Variant 2010.00-DXXRXX with through-going axis on drive

Technical data

Item number	Ratio i	Selflocking static	Output-speed range n in rpm	Max. output-torque M in Nm	Max. drive-torque M in Nm	Drive side		Degree of efficiency in %
						Radial-force ¹⁾ F_R in N	Axial-force ²⁾ F_A in N	
2010.00-V01R65	65:1	Ja	100/500/1000	4.5/3.8/3.0	0.2/0.2/0.2	500	500	29
2010.00-D01R65								
2010.00-V02R40	40:1	Ja	100/500/1000	5.5/4.8/4.0	0.4/0.3/0.3	400	400	39
2010.00-D02R40								
2010.00-V03R30	30:1	Ja	100/500/1000	8.5/7.0/5.5	0.6/0.5/0.4	350	350	45
2010.00-D03R30								
2010.00-V04R23	23:1	Ja	100/500/1000	10.0/8.0/6.0	0.9/0.7/0.5	250	250	50
2010.00-D04R23								
2010.00-V05R18	18:1	Ja	100/500/1000	11.0/9.0/7.0	1.1/0.9/0.7	250	250	55
2010.00-D05R18								
2010.00-V06R15	15:1	Nein	100/500/1000	12.0/10.0/8.0	1.5/1.3/1.0	250	250	52
2010.00-D06R15								
2010.00-V07R13	13:1	Nein	100/500/1000	15.0/13.0/11.0	2.1/1.8/1.5	200	200	56
2010.00-D07R13								



Variant 2010.00-VXXRXX with one entrance and one exit



Variant 2010.00-DXXRXX with through-going axis on drive

Technical notes

- Permitted forces output side (axial and radial) 500 N