

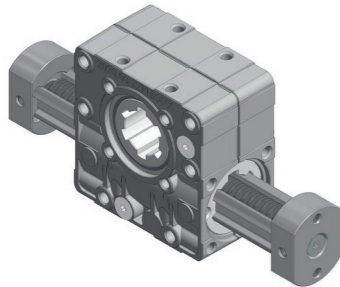
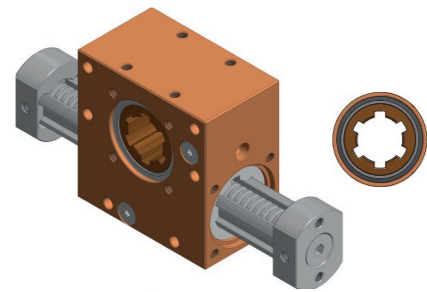
Rack and pinion gear Ket-Motion 2020 ZxK

Description

The function of the universally applicable linear gear units is to convert rotating movements into axial ones. They are used wherever vertical or horizontal transport, lifting, pushing or steering is required. As an electromechanical variant, these special gear-boxes often replace hydraulics and pneumatics. Thanks to a rack that can be freely scaled in length, the stroke can be freely selected to suit the application.

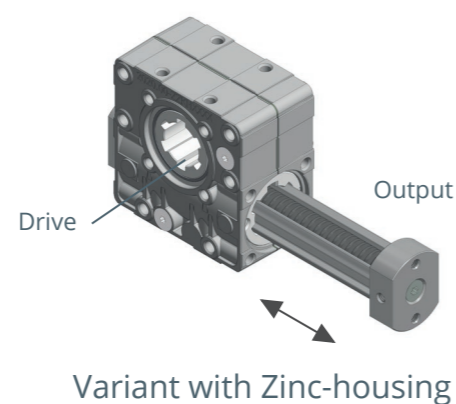
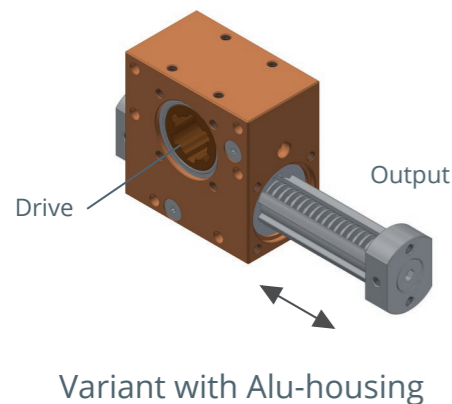
Special features

- **Axis distance 20 mm**
- Housing: Either anodized aluminum (color according to customer's request) or with zinc housing in a material saving design
- Feed per revolution 87 mm
- Backlash < 0.5 mm
- Max. Speed 100 mm/s
- Application temperature -20°C to +60°C
- Lubrication and maintenance free
- Stroke HXXXX: freely selectable



Variant key

Ket-Motion					
2020.00	Z	Linear gear unit			
Housing: Material & Optics					
	0	Alu, orange anodized (standard)			
	X _i	Alu, Color according to customer requirements			
	Z	Zinc die-cast housing			
Configuration of drive side					
	K	Splined shaft connection			
Stroke H					
	HXXXX	Stroke length in mm			
2020.00-	Z	0	K	H0150	Example



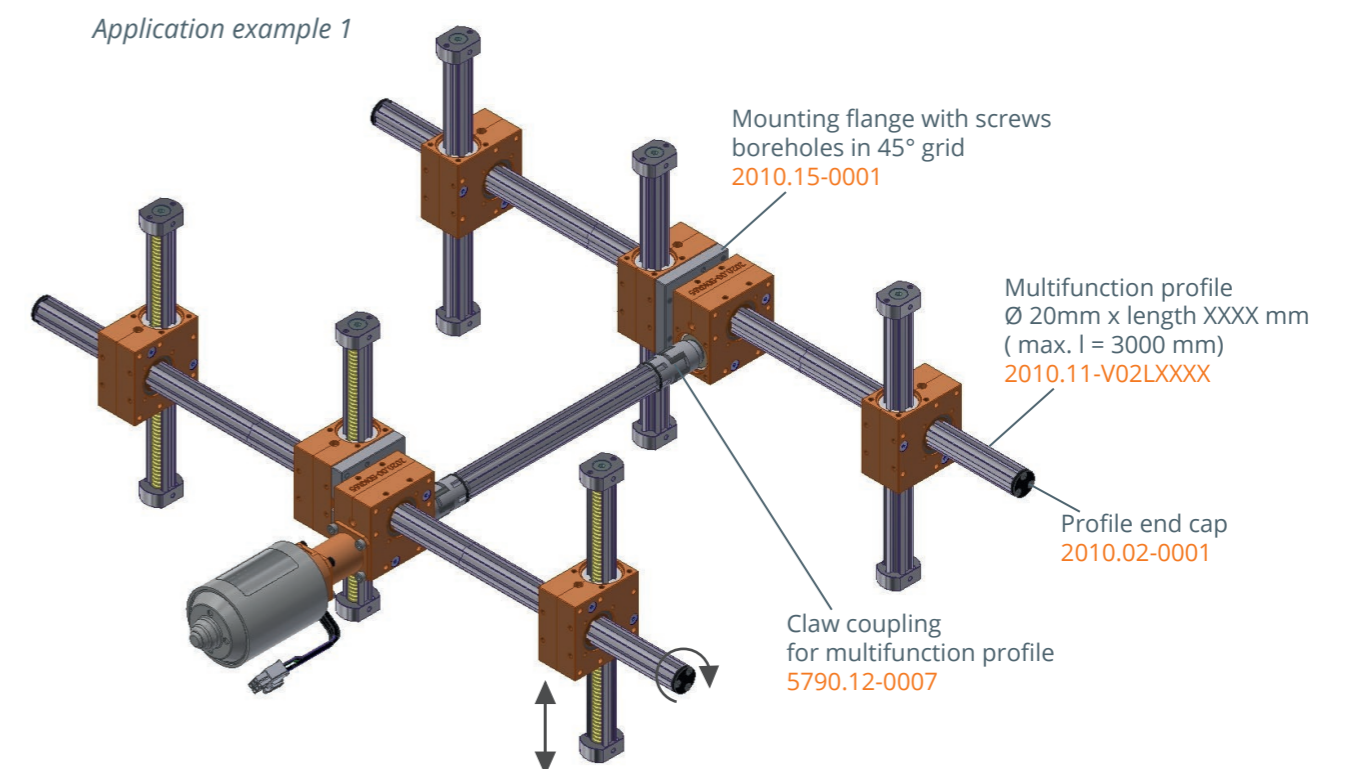
Technical data

Item number	Stroke XXXX in mm	Feed per revolution in mm	Self locking	Drive torque max. M _A in Nm	Axial force output side	
					max. F _A in N	max. F _{A peak**} in N
2020.00-Z0KHXXXX 2020.00-ZZKHXXXX	variable*					
2020.00-Z0KH0150 2020.00-ZZKH0150	150	87	No	2.3	100	1300
2020.00-Z0KH0250 2020.00-ZZKH0250	250					
2020.00-Z0KH0500 2020.00-ZZKH0500	500					

* Max. stroke length 2500 mm
** Short-term peak load < 1 s

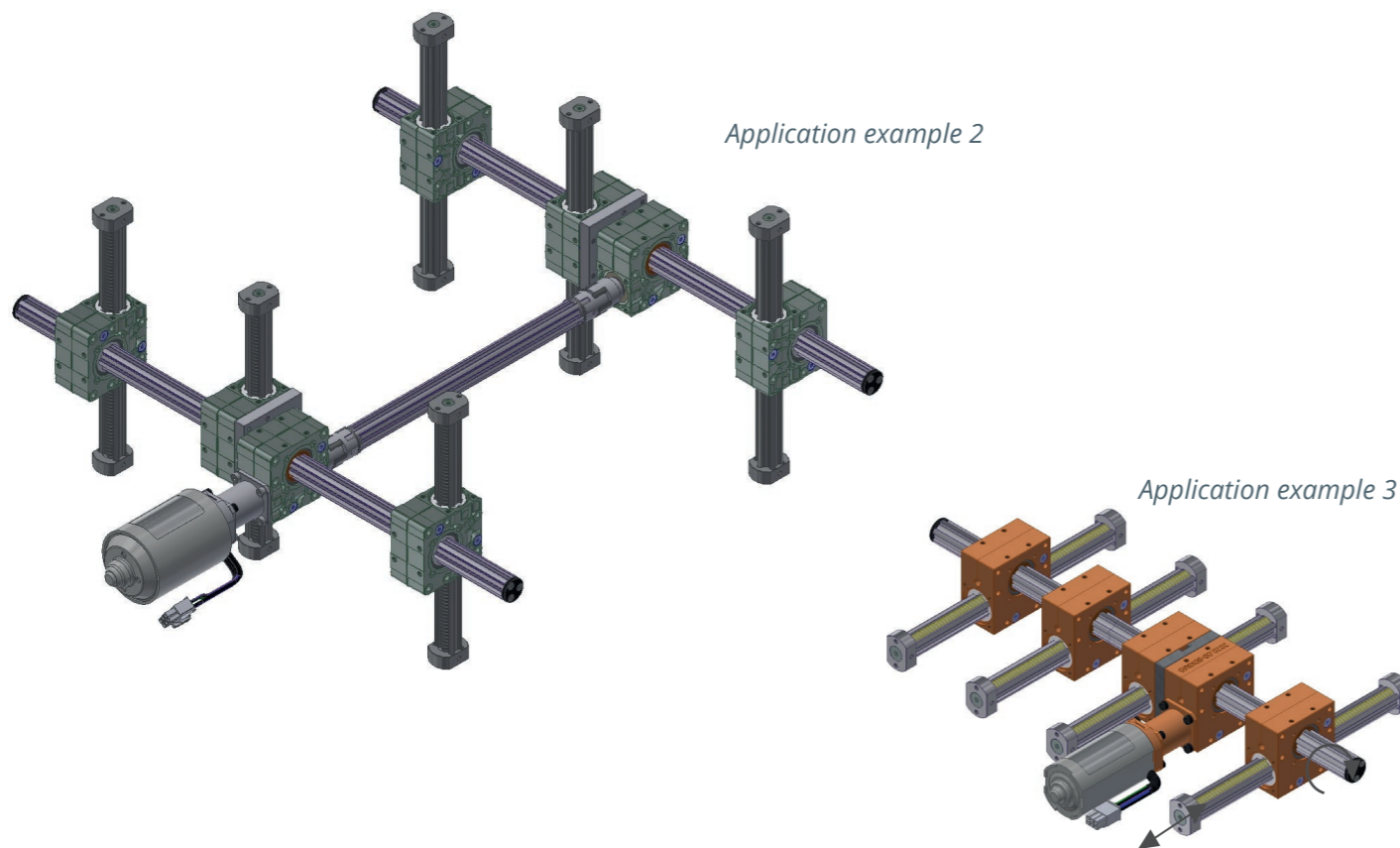
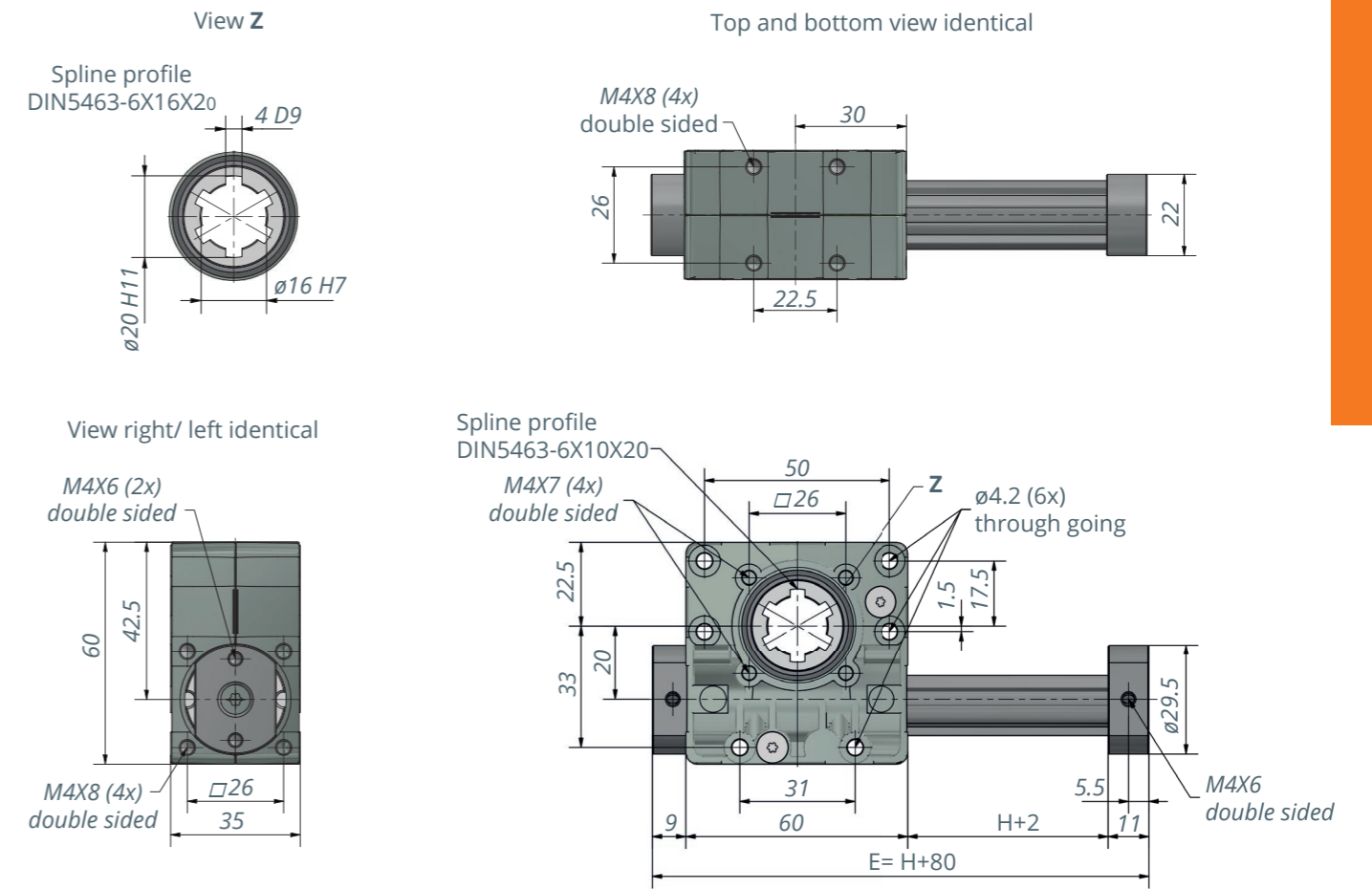
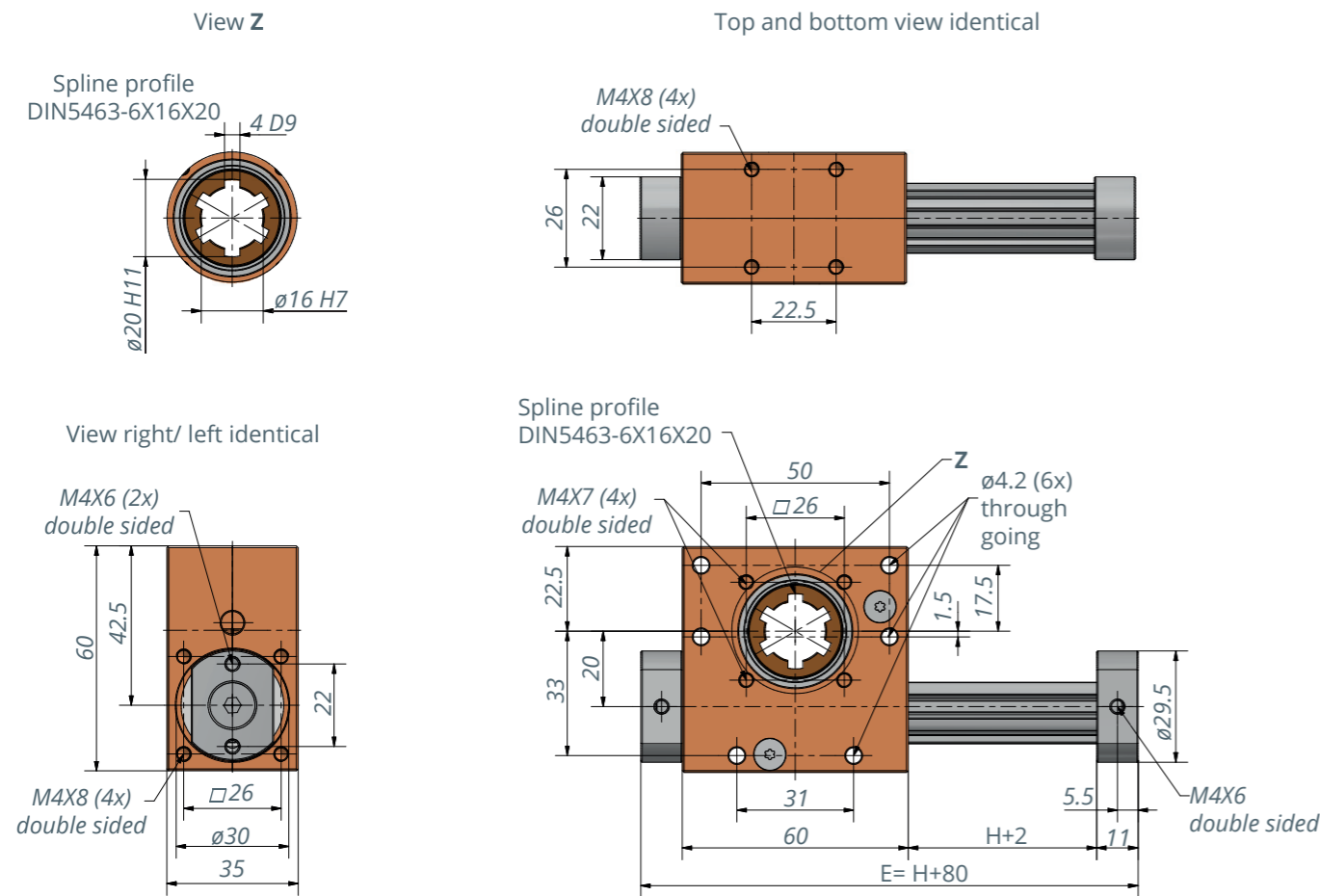
Application examples and accessories

Several gear units can be synchronized by means of connecting flanges, connecting shafts and electronic control. 2020 worm gear units are available with three different motor types. If required, a suitable control system can also be supplied. The parts required for this can be found in our extensive range of accessories.



Variant with **Aluminium-housing** 2020.00-Z0KHXXXX

Variant with **Zinc-housing** 2020.00-ZZKHXXXX



Mechanical accessories	Item number	Illustration
Multifunction splined shaft profile	2010.11-V02LXXXX Preferred variant 2010.11-V02L1000	
End cap for splined shaft profile	2010.02-0001	
Claw coupling D1= 12 for splined shaft profile (DIN5463-6x12x20)	5790.12-0007	
Mounting flange 45° latching	2010.15-0001	