

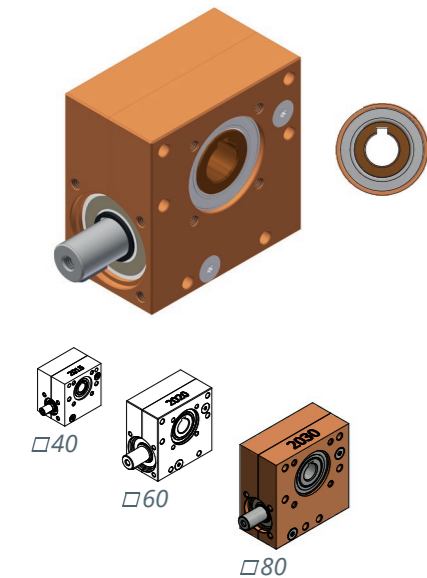
# Worm gear reducer Ket-Motion 2030 P

with feather key groove

Universally usable and maintenance-free worm gear with an **axis distance of 30 mm** and with nine different reduction ratios. The housing is encapsulated to prevent the escape of grease and the ingress of dust. The worm gear pair is left-handed. The direction of rotation on the shaft is arbitrary.

## Special features

- **Axis distance 30 mm**
- Maintenance-free grease lubrication
- Housing anodized aluminum, orange as standard, other colors possible to suit customer requirement
- 9 reduction ratios from 1:1 to 64:1
- Backlash on the output shaft  $1^\circ \pm 0.5^\circ$ , (for  $i=1:1$   $2^\circ \pm 0.5^\circ$ )
- Duty cycle 20 % for 5 min (1 min ON, 4 min OFF)
- Service life of 1,000 hours with:
  - full load and
  - input speed of 500 rpm and
  - duty cycle 20 % for 5 min and
  - ambient temperature 20 °C



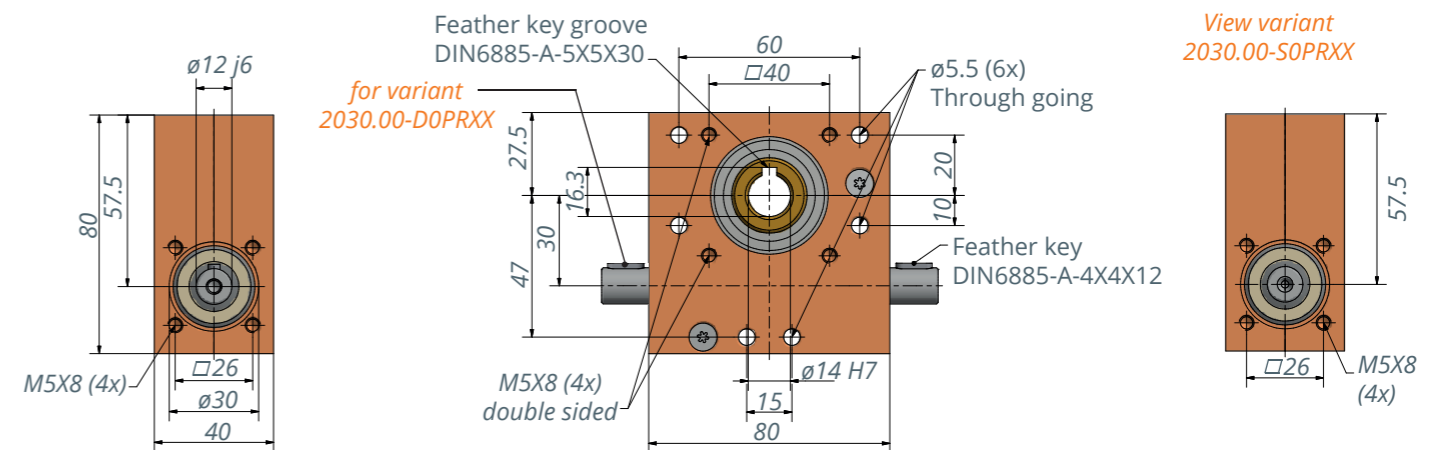
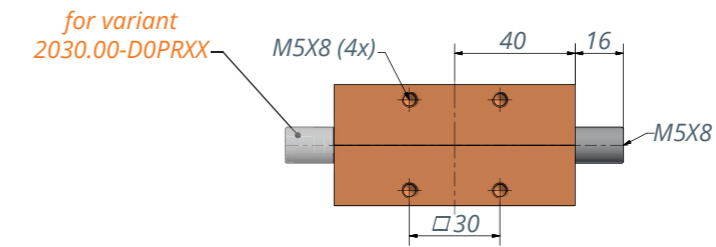
## Variant key

- Variant 2030.00-S0PRXX with one drive pin
- Variant 2030.00-D0PRXX with through going axis

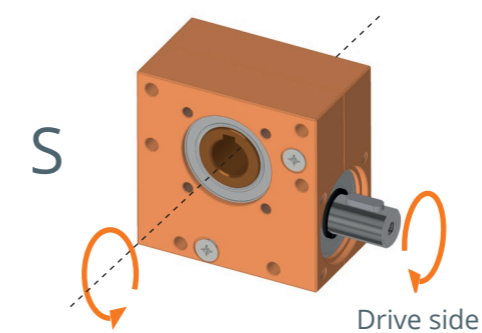
Item number	Ratio $i$	Self-locking static	Output-speed $n$ in $\text{min}^{-1}$	Max. output-torque $M$ in Nm	Max. drive-torque $M$ in Nm	Drive side		Degree of efficiency %
						Radial-force <sup>1)</sup> $F_R$ in N	Axial-force <sup>2)</sup> $F_A$ in N	
2030.00-S0PR64	64 : 1	Yes	100/500/1000	8.5/7.5/6.0	0.5/0.4/0.3	700	600	27
2030.00-D0PR64								
2030.00-S0PR45	45 : 1	up to 5 Nm	100/500/1000	10.5/9.5/9.0	0.9/0.8/0.8	700	600	25
2030.00-D0PR45								
2030.00-S0PR34	34 : 1	up to 5 Nm	100/500/1000	12.0/11.0/10.0	1.2/1.1/1.0	600	500	29
2030.00-D0PR34								
2030.00-S0PR25	25 : 1	No	100/500/1000	13.5/12.0/11.0	1.3/1.2/1.1	500	500	41
2030.00-D0PR25								
2030.00-S0PR20	20 : 1	No	100/500/1000	15.0/13.5/12.0	1.7/1.6/1.4	500	400	43
2030.00-D0PR20								
2030.00-S0PR17	17 : 1	No	100/500/1000	17.0/15.0/14.0	2.2/1.9/1.8	400	400	46
2030.00-D0PR17								
2030.00-S0PR10	10 : 1	No	100/500/1000	20.0/18.0/16.0	3.4/3.1/2.8	400	300	58
2030.00-D0PR10								
2030.00-S0PR05	5 : 1	No	100/500/1000	19.0/17.0/15.0	5.4/4.9/4.3	400	300	70
2030.00-D0PR05								
2030.00-S0PR01*	1 : 1	No	100/500/1000	2.0/1.5/1.0	2.7/2.1/1.4	400	300	73
2030.00-D0PR01*								

1) The values of  $F_R$  apply only when  $F_A = 0$  N  
2) The values of  $F_A$  apply only when  $F_R = 0$  N

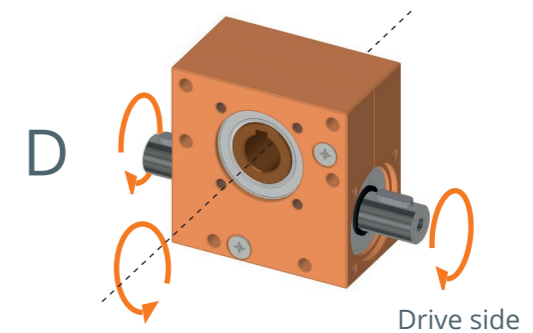
\* Backlash on the output shaft  $2^\circ \pm 0.5^\circ$



View variant 2030.00-S0PRXX



Variant 2030.00-S0PRXX with one drive pin



Variant 2030.00-D0PRXX with through going axis

## Technical notes

- Permissible force on drive side:  $F_A = 800$  N when  $F_R = 0$  N and  $F_R = 800$  N when  $F_A = 0$  N
- The positions of the feather keys as standard in variant D are not in line. Possible on enquiry if needed