

# Bevel gear with spindle unit 3014



Universally applicable lifting unit with bevel gear head for linear drive solutions. Possible applications are height adjustable tables, various adjustment functions for furniture items as well as all manner of linear adjustment in residential and office fields. Simple screw fastenings enable a simple system structure and an uncomplicated assembly.

## Special features

- Deflection angle: 120° or 135°,  $i = 1:1$
- Drive torque on gear head for application with several spindle units: Max. 3 Nm
- Maintenance-free
- Tailor-made solutions thanks to different gear head designs, spindle types and individual dimensioning



## Variant key

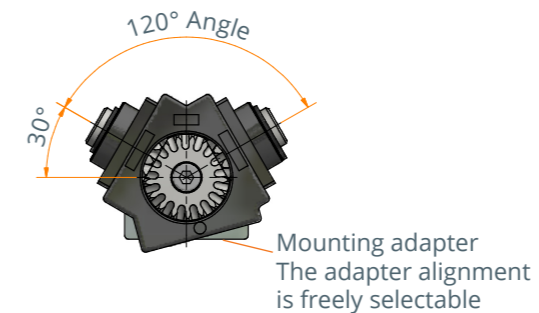
3014.00	Type of gear unit	
	B	Bevel gear input-output in 120° angle
	C	Bevel gear input-output in 135° angle
	Type of spindle	
	1	14x3 LH
	2	14x3 RH
	3	12x6 LH
	Connection	
	0	Standard= see drawing
	Retracted length	
	EXXX	XXX in mm
	Stroke length	
	HXXX	XXX in mm
3014.00-	B	1 0 E300 H200 : Example

Model	3014.00-X10EXXXHXXX 3014.00-X20EXXXHXXX Type of spindle 1 and 2	3014.00-X30EXXXHXXX Type of spindle 3
Type of spindle	TR14x3 RH/ LH	SG12x6 LH
Travel path	2.3 mm/U	4.6 mm/U
Required drive torque	1.2 Nm	1.6 Nm
Max. lifting force	1200 N	
Max. drive torque gear head for several spindle units*	3 Nm	
Max. stroke	retracted length -99 mm	
Ratio in direction of spindle	1.3:1	
Ratio in direction of deflection	1:1	
Input	hex 6	

\* See technical notes

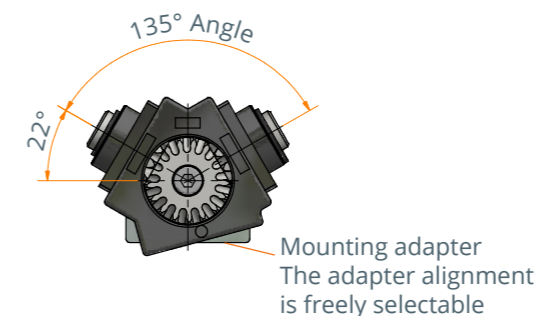
## 3014.00-BX0EXXXHXXX: Type of gear unit B 120° Angle

The drive position is freely selectable



## 3014.00-CX0EXXXHXXX: Type of gear unit C 135° Angle

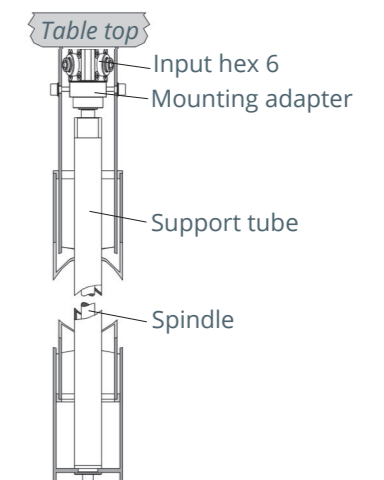
The drive position is freely selectable



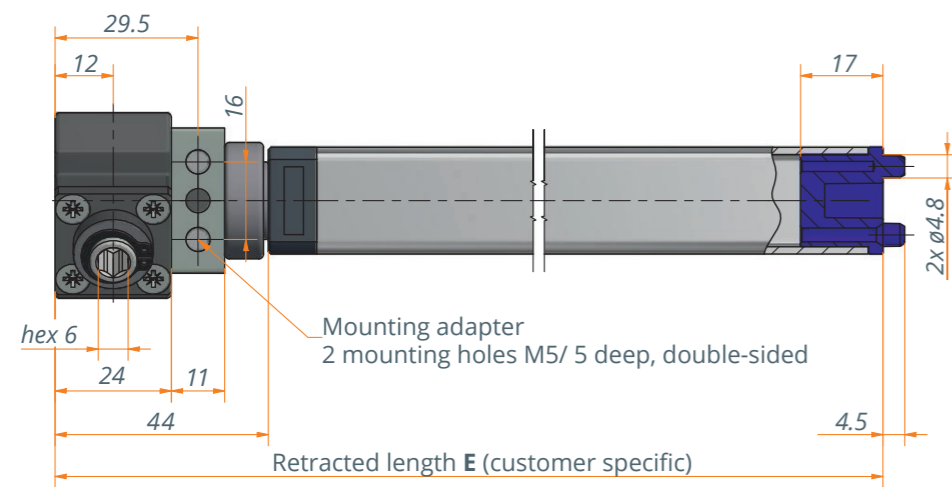
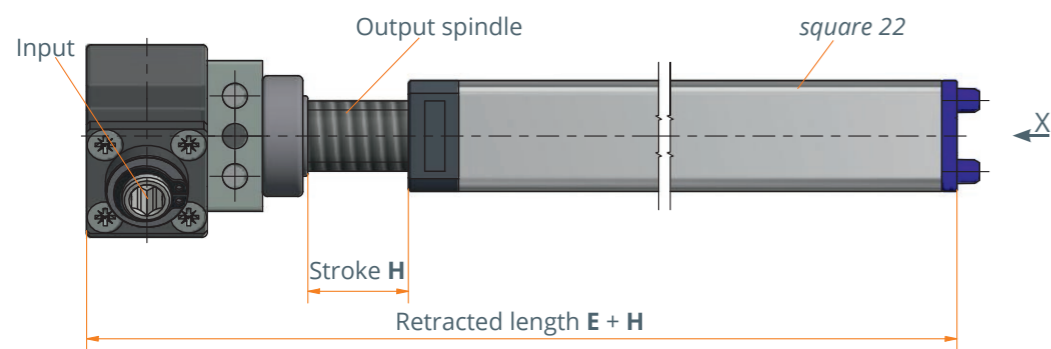
## Technical notes

- The lifting units must be protected against lateral forces by a separate guide system.
- Attention: The spindle systems with a spindle pitch  $\geq 3$ mm may not be self-locking. Check the self-locking effect in the application.
- The lifting unit is only pressure loadable.
- If several lifting units are being used simultaneously in the application, note the max. drive torque on gear head of 3 Nm!
- Incorrect dimensioning of the guide system can damage the lifting unit: Please note the design and safety instructions for spindle drives. You will find them at: <https://www.ketterer.de/en/downloads/instructions>

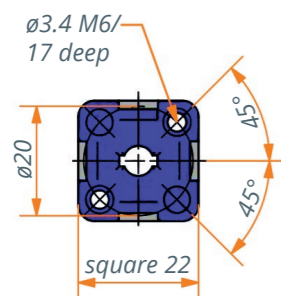
## Application example



# Bevel gear with spindle unit 3014



View X  
(Rotation stop)



## Application example

