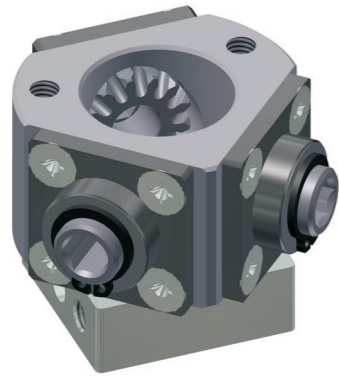


Deflection gear 3014

Description

Bevel gear family for use as a deflection gear in up to three directions. Deflection of rotational movement possible at angles of 90°, 120°, 135°. Upon request the number of drive wheels can be varied. Simple screw mounting on the adaptor facilitates uncomplicated assembly.



Special features

- Maintenance-free
- Case hardened steel bevel wheels
- Housing made of reinforced glass-fibre or aluminium at an angle of 90°/120°/135°
- Downward ratio 1.3:1, ratio in direction of deflection 1:1
- Designed for the manual operation

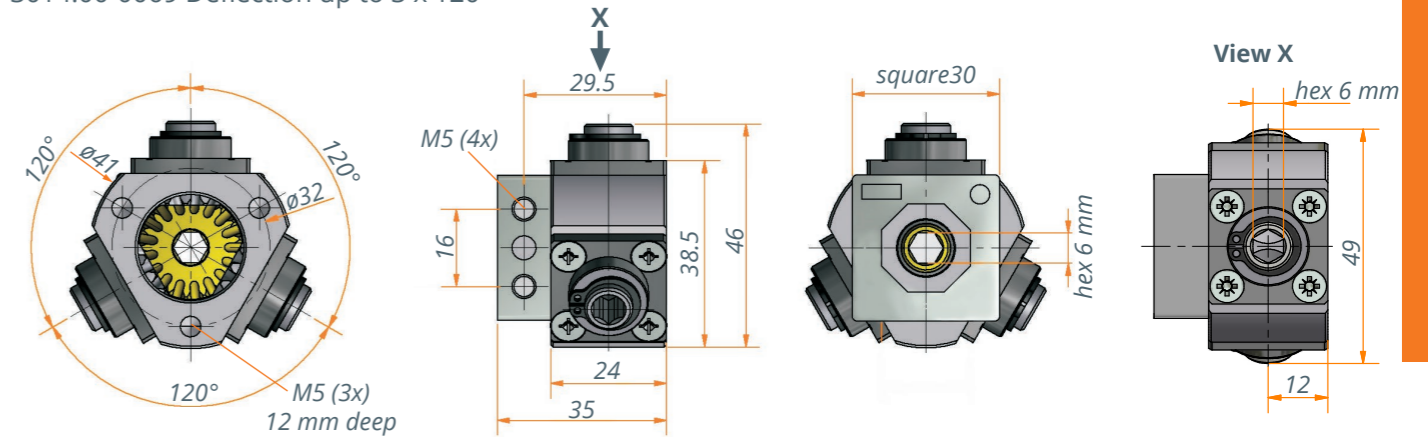
Technical data

Model	3014.00-0069	3014.00-0070	3014.00-0071	3014.00-0082
Ratio in direction of deflection	1:1	1:1	1:1	1:1
90° downward ratio	1.3:1	1.3:1	1.3:1	1.3:1
Input/Output	hex 6 mm	hex 6 mm	hex 6 mm	hex 6 mm
Number of bevel wheels	4	4	3	3
Max. drive torque	3 Nm	3 Nm	3 Nm	3 Nm
Housing/angle	3 x 120°	2 x 135°	120°	135°
Material	Aluminium	Aluminium	Plastic	Plastic

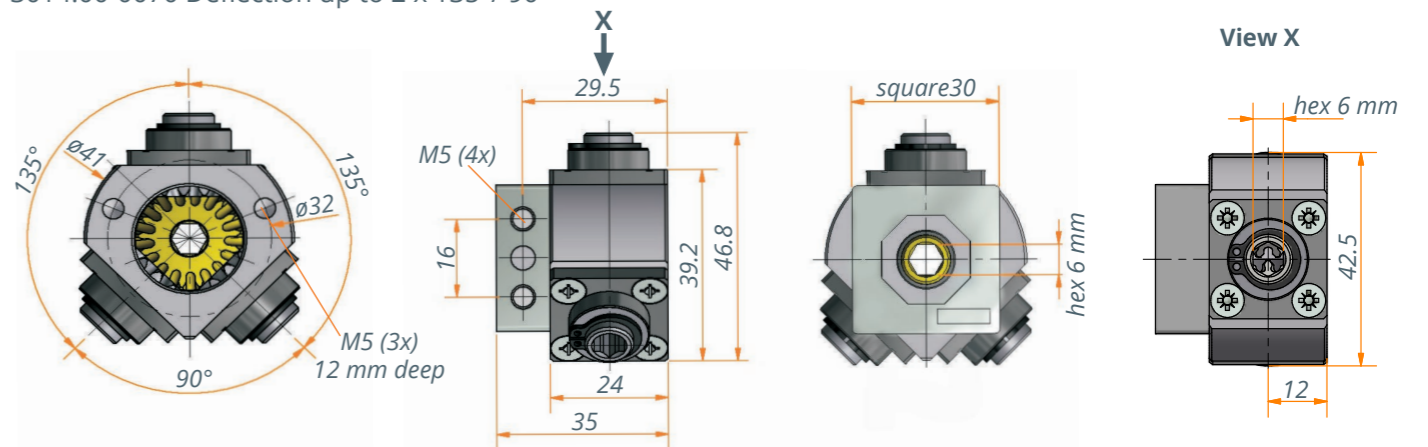
Application example



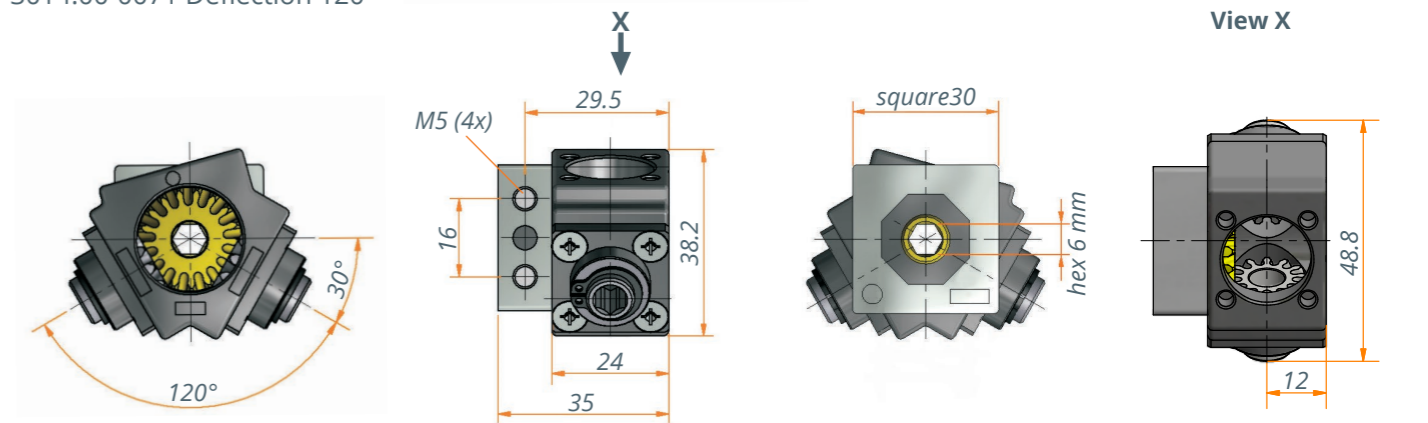
3014.00-0069 Deflection up to 3 x 120°



3014.00-0070 Deflection up to 2 x 135°/ 90°



3014.00-0071 Deflection 120°



3014.00-0082 Deflection 135°

