

Bevel gear with spindle unit 3039



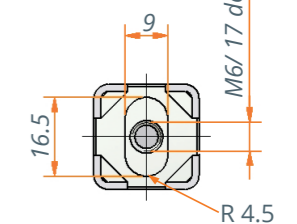
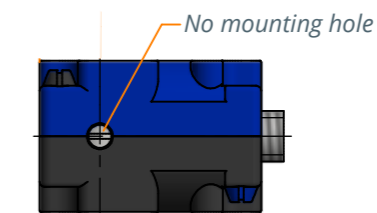
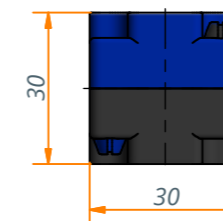
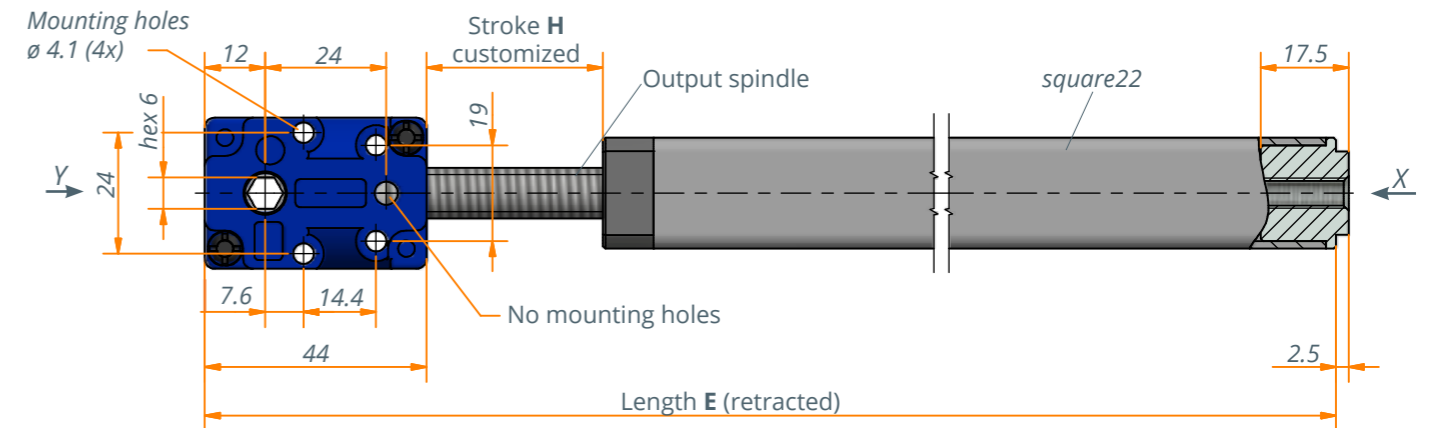
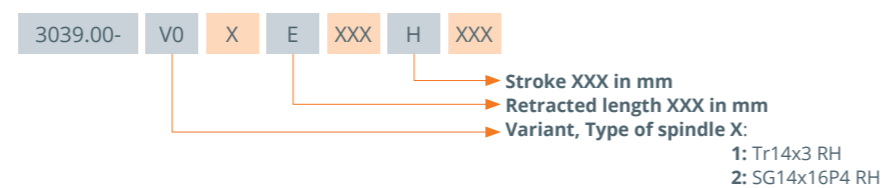
Description

Universally applicable lifting unit with bevel gear head for linear drive solutions. Possible applications are height adjustable tables, various adjustment functions for furniture items as well as all manner of linear adjustment in residential, mobile home or industrial fields. A simple screw fastening and a hexagonal bolt enable a simple system structure and an uncomplicated assembly.

Special features

- Maintenance-free
- Ratio 1:1
- Max. drive torque on gear head depending on spindle pitch: max. 4 Nm
- Housing made of glass fiber reinforced plastic
- Hardened steel bevel wheels with robust, reinforced toothing
- Suitable for manual use as well as for electromotive drives

Variant key



Technical data

Model	3039.00-V01EXXXHXXX	3039.00-V02EXXXHXXX
Ratio	1:1	1:1
Input	hex 6 mm	hex 6 mm
Type o spindle	Tr14x3 RH	SG14x16P4 RH
Travel path	3 mm/rotation	16 mm/rotation
Traverse speed*	7.5 mm/s	40 mm/s
Max. stroke H	retracted length -99 mm	retracted length -99 mm
Max. lifting force	1200 N	800 N
Required drive torque	1.7 Nm	3.5 Nm

* In combination with drive 3130.00 and LogicData control box Compact-3

Technical notes

- The lifting units must be protected against lateral forces by a separate guide system.
- Attention: The spindle systems with a spindle pitch ≥ 3 mm may not be self-locking. Check the self-locking effect in the application.
- The lifting unit is only pressure loadable.
- Incorrect dimensioning of the guide system can damage the lifting unit: Please note the design and safety instructions for spindle drives. You will find them at: <https://www.ketterer.de/en/downloads/instructions>
- Installation instructions: Use at least 2 M4 screws when fastening using through going boreholes $\varnothing 4.1$ (4x). When doing so, preferably the lifting unit should be supported above on the top side.

Application example

