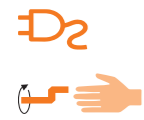
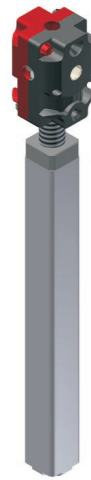


# Bevel gear with spindle unit 3045



## Description

Universally applicable lifting unit with bevel gear head for linear drive solutions. Possible applications are height adjustable tables, various adjustment functions for furniture items as well as all manner of linear adjustment in residential, mobile home or industrial fields. A simple screw fastening and a hexagonal bolt enable a simple system structure and an uncomplicated assembly.

## Special features

- Maintenance-free
- Ratio 1:1 and 1:2
- Drive torque on gear head for application with several spindle units: max. 5.5 Nm
- Housing made of glass fiber reinforced plastic
- Hardened steel bevel wheels with robust, reinforced toothing
- Suitable for manual use as well as for electromotive drives
- Ideal for the high performance drive 3143.00

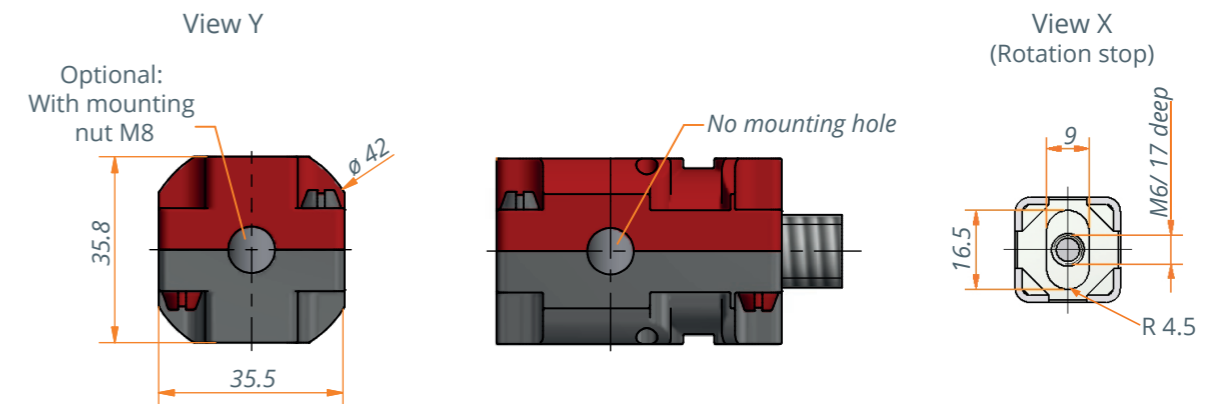
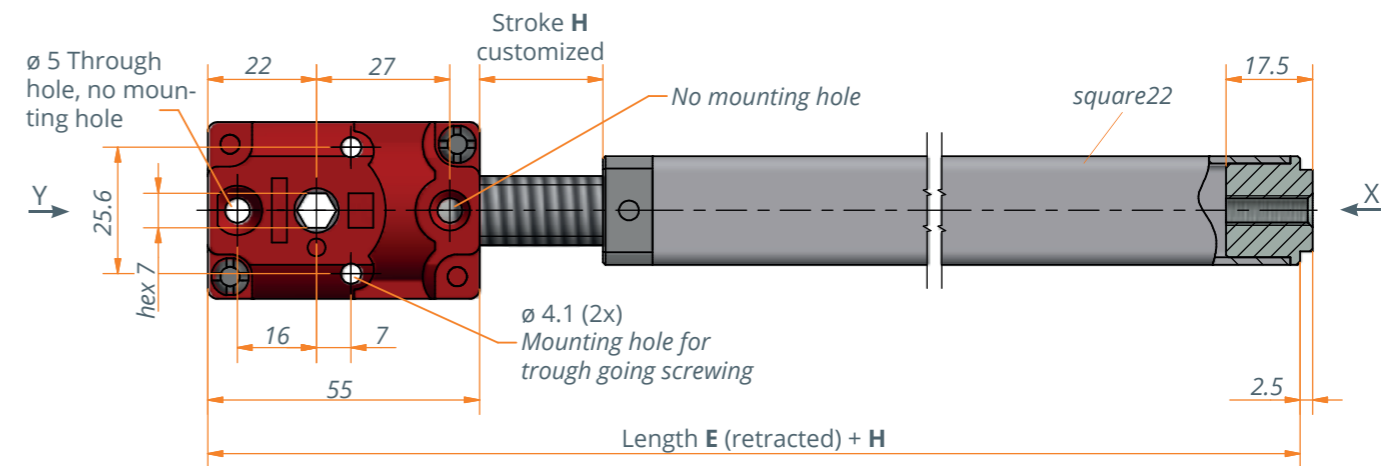
## Variant key

3045.00-V01: Spindle SG14x16P4 RH and  $i=1:1$   
 V02: Spindle Tr14x3 RH and  $i=1:1$   
 V03: Spindle Tr14x3 RH and  $i=1:2$   
 Stroke HXXX and retracted length EXXX are customized

## Technical data

Model	3045.00-V01EXXXHXXX	3045.00-V02EXXXHXXX	3045.00-V03EXXXHXXX
Ratio	1:1	1:1	1:2
Input	hex 7 mm	hex 7 mm	hex 7 mm
Type of spindle	SG14x16P4 RH	TR14x3 RH	TR14x3 RH
Travel path	16 mm/rotation	3 mm/rotation	6 mm/rotation
Traverse speed*	32 mm/s	6 mm/s	12 mm/s
Max. stroke H	retracted length -110 mm	retracted length -110 mm	retracted length -110 mm
Max. lifting force	1200 N	1200 N	1200 N
Required drive torque	4.5 Nm	1.7 Nm	3.5 Nm

\* In combination with motor drive 3143.00-200X and LogicData control box Compact-3



## Technical notes

- The lifting units must be protected against lateral forces by a separate guide system.
- Attention: The spindle systems with a spindle pitch  $\geq 3$  mm may not be self-locking. Check the self-locking effect in the application.
- The lifting unit is only pressure loadable.
- Incorrect dimensioning of the guide system can damage the lifting unit: Please note the design and safety instructions for spindle drives. You will find them at: <https://www.ketterer.de/en/downloads/instructions>
- Installation note: When fixing by means of ø 4.1 bore holes, 2 through going M4 screws must be used. The lifting unit should preferably be supported at the top at the front.
- Optionally, the gear unit can be fitted with M8 nut at the top face, which can be used for fixing.

## Application example

