

Electric motor drive system for large umbrellas 3062



Electric motor drive system for integration into the telescopic tubing system, consisting of motor, controller, gear and operating elements. The drivetrain is designed for high push and pull forces and opens/closes the large umbrella effortlessly at the push of a button. The set also includes a hand crank for emergency operation as well as a single-channel remote control. The system can be adapted to the pole tube inner diameter (DXX > 53mm), if required by the customer.

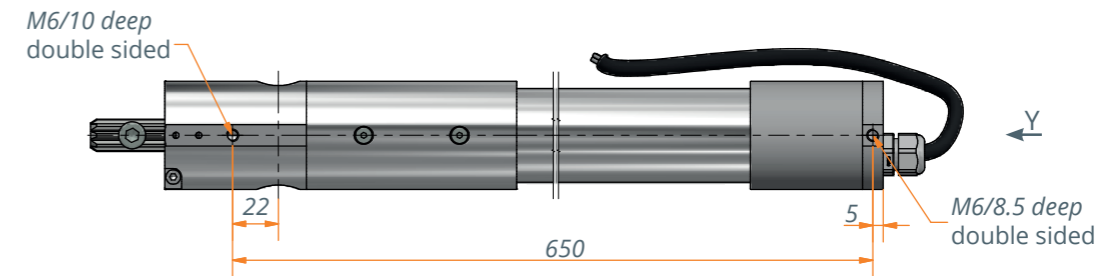
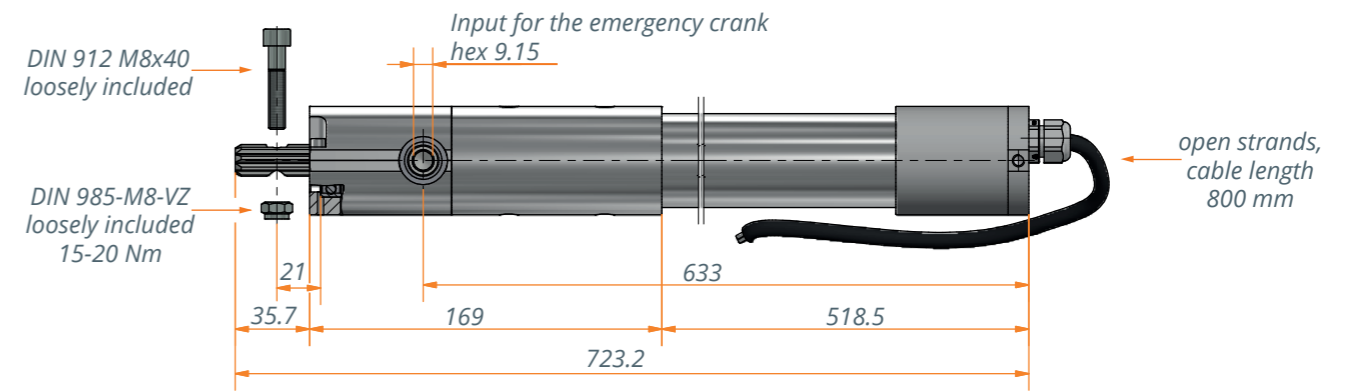
Special features

- Electric motor spindle drive, completely integrable in the pole tube
- Transmission ratio of drivetrain, electric drive – spindle $i = 1:1$
- Transmission ratio of drivetrain, crank – spindle $i = 1:4$
- Maintenance-free
- Flexibly adaptable to the customer needs:
Outer contour (min. 53 mm / max. 73 mm)

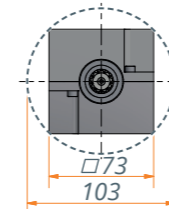


	3062.00-V01DXX
Voltage	230 V~/50 Hz
Electric current	1.0 A
Switch-on current (factor)	x 1.2
Motor power consumption	220 W
Drive output power	approx. 60 W
Rated torque / Nominal torque / peak torque	5 Nm / 7 Nm short time
Idle running speed	134 RPM
Rated speed	120 RPM @ 5 Nm
Mode of operation	2,5 min on, 45 min off
Ambient temperature / humidity	Operation: T = -10 °C to +60 °C / H max. 90% Storage: T = -15 °C to +70 °C / dry, non-condensing
Operating temperature, motor	Overheating protection with switch-off at approx. 110 °C
Protection class	IP 44
Transmission ratio i drivetrain electric drive - spindle	1:1
External diameter D	XX mm (Preferred variant 53 mm)
Speed of travel under nominal load	8 mm/s*
Max load peaks tensile-/compressive forces static	10,000 N

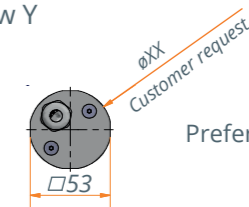
* in combination with spindle 25x4



Customized outer contour



View Y



Preferred variant of Ketterer 3062.00-V01D53

Outer contour of the drive can be realized customer-specific (DXX or QXX)

DXX max. round = \varnothing 73 mm

DXX min. round = \varnothing 53 mm

QXX max. square = \square 73 mm

103 mm > QXX > 73 mm : the outer contour has a rectangular basic shape with rounded corners.

Technical notes

- If installed vertically, it is essential to protect the drive against dripping water from above.
- The hand crank may only be used as an emergency hand crank; the drive must be disconnected from the power supply system. The planetary gear of the motor can be damaged if the hand crank is moved too quickly.
- Attention: Spindle systems with a spindle pitch of > 3 mm are no longer self-locking. Check the self-locking effect in the application!

Scope of delivery

- 1 x electric motor spindle drive, consisting of motor incl. controller and gear
- 1 x emergency hand crank with integrated ejection mechanism
- 1 x single-channel remote control



Attention: Spindle and spindle nut must be designed individually and ordered separately