

# Inline spindle drive 3120 Heavy load



## Description

Electric motorized spindle drive with matching spindle nut for stepless stroke adjustment with customized stroke height. Thanks to its slim design, it fits easily into narrow guideways and can move loads of up to 250 kg.

## Special features

- Slim inline design
- Integrated position measuring system
- Spindle nut made of POM-C included
- Customized spindle length possible
- Spindle and spindle nut can be modified according to customer specifications (spindle type, material, geometry)

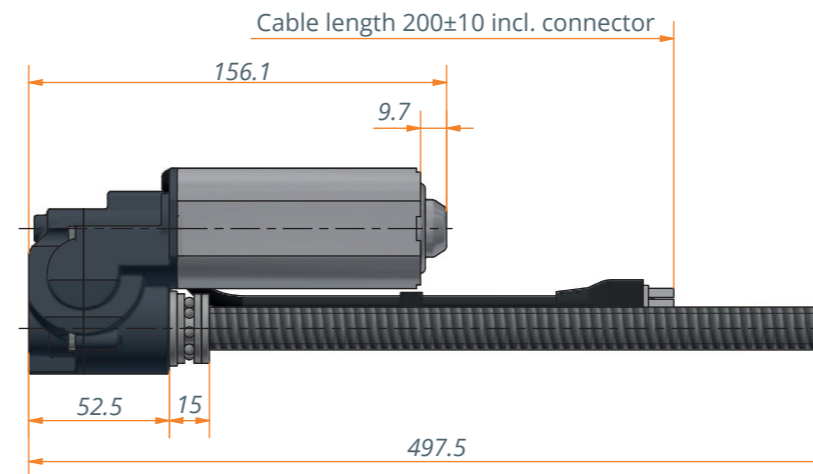


## Technical data

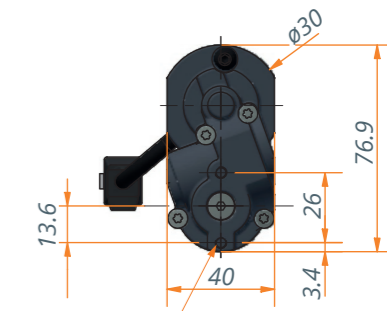
Model	3120.00-1000
Motor	DC Motor 24 V
Sensor/Power supply	Hall/5 V DC/0.3 A
Protection class	IP30
Duty cycle	20% (at 5 min.)
Idle running speed	100 rpm (24 V) 150 rpm *
Stroke	430 mm
Type of spindle	Tr16x4RH
Max. lifting force	2500 N
Max. drive torque	5 Nm
Movement speed	10 mm/s
Cabel	0.2 m, connector AMP 6 Pin

\* In combination with LogicData control box Compact-3

\*\* Further types of spindles on request

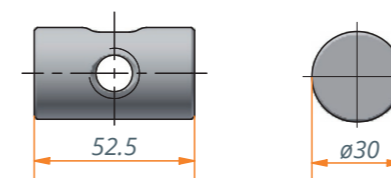


Suitable motor cable: 3122.53-02

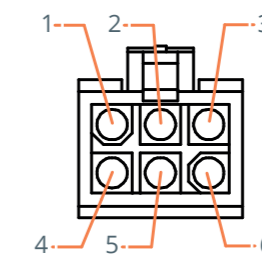


2x core drill hole  $\varnothing 3.65/10$  deep, for self-tapping screws for plastic

## Spindle nut



## Pin assignment



1. Motor black - AMP 172168-1  
2. Motor blue +

3. Hall sensor red +5V  
4. Hall sensor violet, output 2  
5. Hall sensor black -  
6. Hall sensor green, output 1

## Technical notes

- Depending on the spindle pitch, the system could back-drive
- The spindle nut must be screwed directly to the wall of the frame/guide
- For a safe load support an axial thrust bearing is installed between drive and spindle
- Suitable motor cable: 3122.53-02

