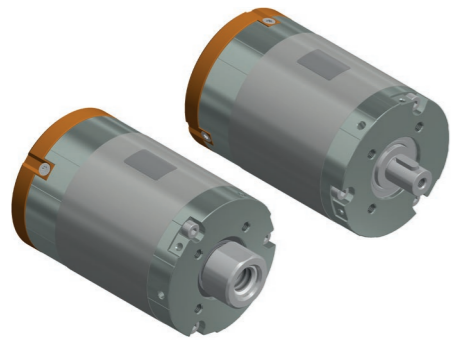


t-Rex 3206 (long version, focus torque)

I-65-86-L36 S2



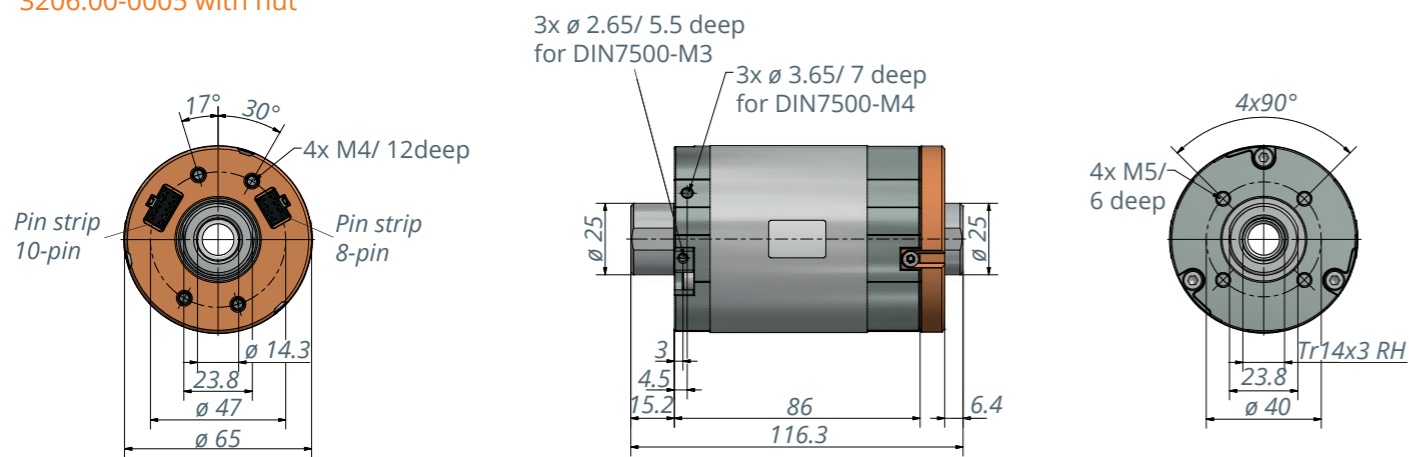
Description

14-pole BLDC motor with high-performance neodymium magnets and three digital Hall sensors to detect the rotor position. The electrical connections are designed as a plug-in system. Additional power electronics are required to operate the motor. The design of the motor with a hollow shaft allows the cables to run through the motor or output on both sides.

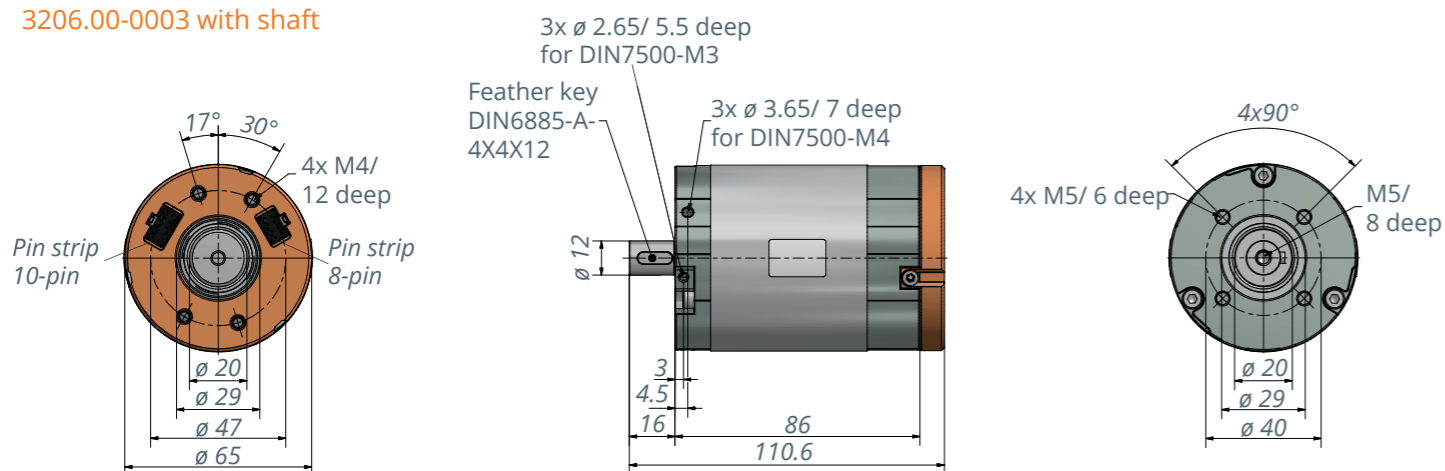
Special features

- Designed with **focus on max. torque**
- Enormous performance density – 3 times stronger than motors of comparable size
- High overload resistance
- Ideally suited as direct drive, or generator for gearless applications
- Special winding upon request
- Design and manufacture of motor to specified operating point is possible

3206.00-0005 with nut



3206.00-0003 with shaft



t-Rex 3206 I-65-86 L36 S2 DH	3206.00-0005/ 3200.00-0003		
Rated voltage	24 VDC	36 VDC	48 VDC
Rated current	5.4 A	5.6 A	5.6 A
Rated torque	1.9 Nm	1.9 Nm	1.9 Nm
Rated speed	535 rpm	865 rpm	1185 rpm
Shaft power (output)	106 W	167 W	232 W
Max. efficiency	84 %	82 %	83 %
Idle speed	702 rpm	1052 rpm	1390 rpm
No-load current	0.45 A	0.43 A	0.43 A
Stall torque	8 Nm	9 Nm	9 Nm
Starting current at idle speed	27 A	28 A	26.5 A
Torque constant	0.308 Nm/A	0.330 Nm/A	0.343 Nm/A
Speed constant	29 rpm/V	29 rpm/V	29 rpm/V

Motor parameters

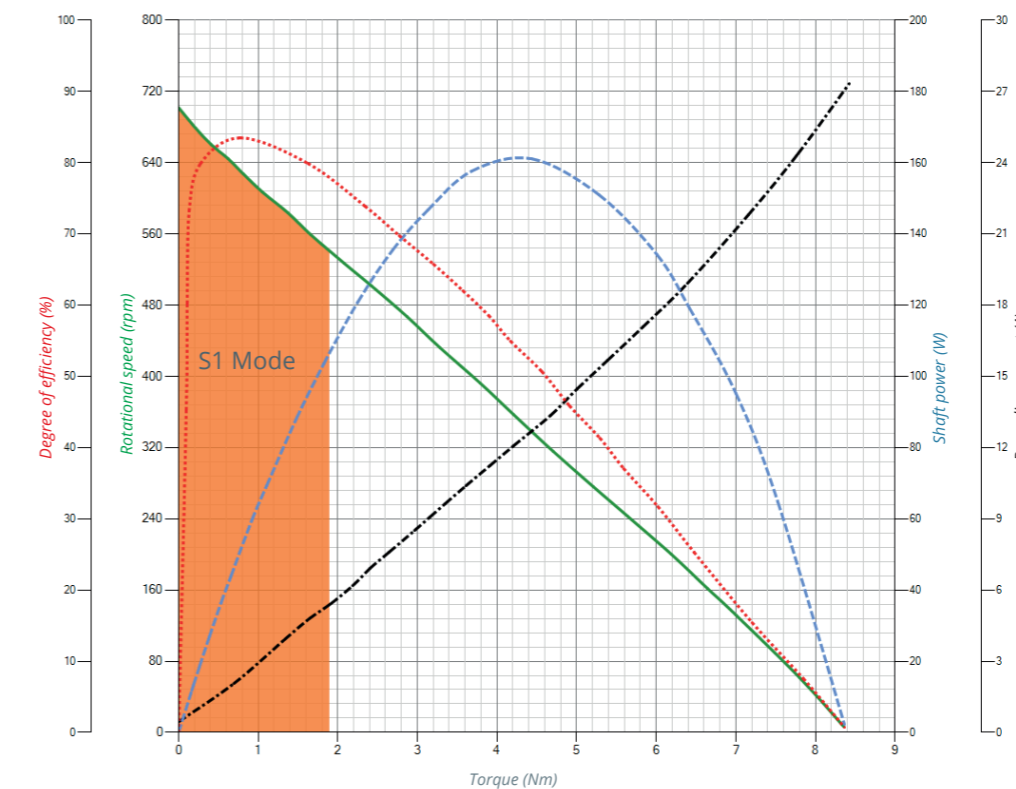
Terminal resistance (phase to phase)	0,121 Ohm
Terminal inductance (phase to phase)	0.9 mH
Rotor inertia	104 kg* mm ²
Number of poles	14
Interconnection of the motor	Star
Number of coils per phase	2
Interconnection of coils	2 Series
Direction of rotation	bidirectional

Note: Max. ambient temperature = 40 °C, controller-specific
At the nominal point (TU = 20°C), controller-specific

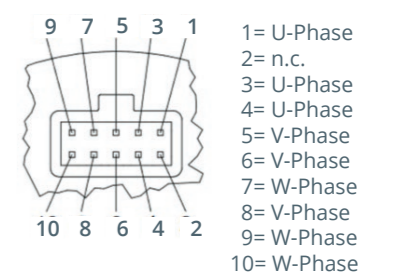
Motor cable approx. 1.5 m

Item number: 3200.53-05

Motor characteristics at 24 V

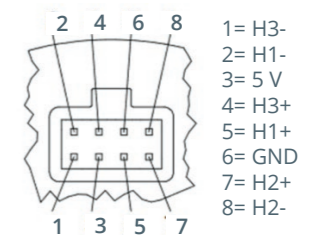


Motor phases



n.c.= please do not connect
RM 2.54 / 10 PIN
W+P 3491-10

Hall-sensors



Socket strip RM 2.54 / 8 PIN
W+P 3491-08

Digital Hall-sensors

Supply of sensors: Voltage range: 4.5 to 5.5 V DC / Optional: voltage regulator for 5 V, Input current: < 70 mA

Output signals of sensors: Differential output, (RS422 standard, datasheet AM26 C31-TI)

Typical voltage range: 0.2/ 3.4 V @ 20 mA / Output current: max. 20 mA

Signal structure: The Hall sensors have a 120° phase shift to each other. Due to the 14-pole design the

Signal frequency is seven times higher than the speed