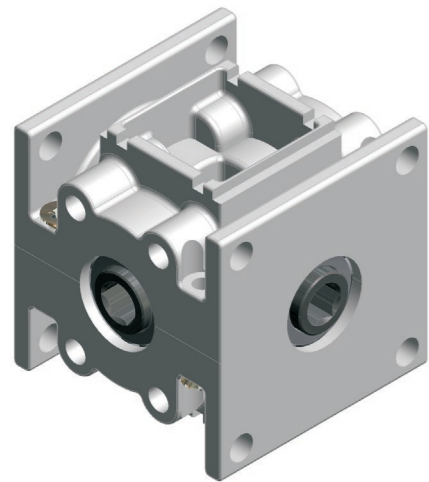


Bevel gear 3869/3870/3871/3872



Description

Bevel gearboxes for the deflection of a rotary movement. Ideal for use as a transfer gearbox or ancillary gearbox for electric motors, e.g. for blinds or actuators in special mechanical engineering. Special bevel gear toothing ensures smooth running of the gearbox.

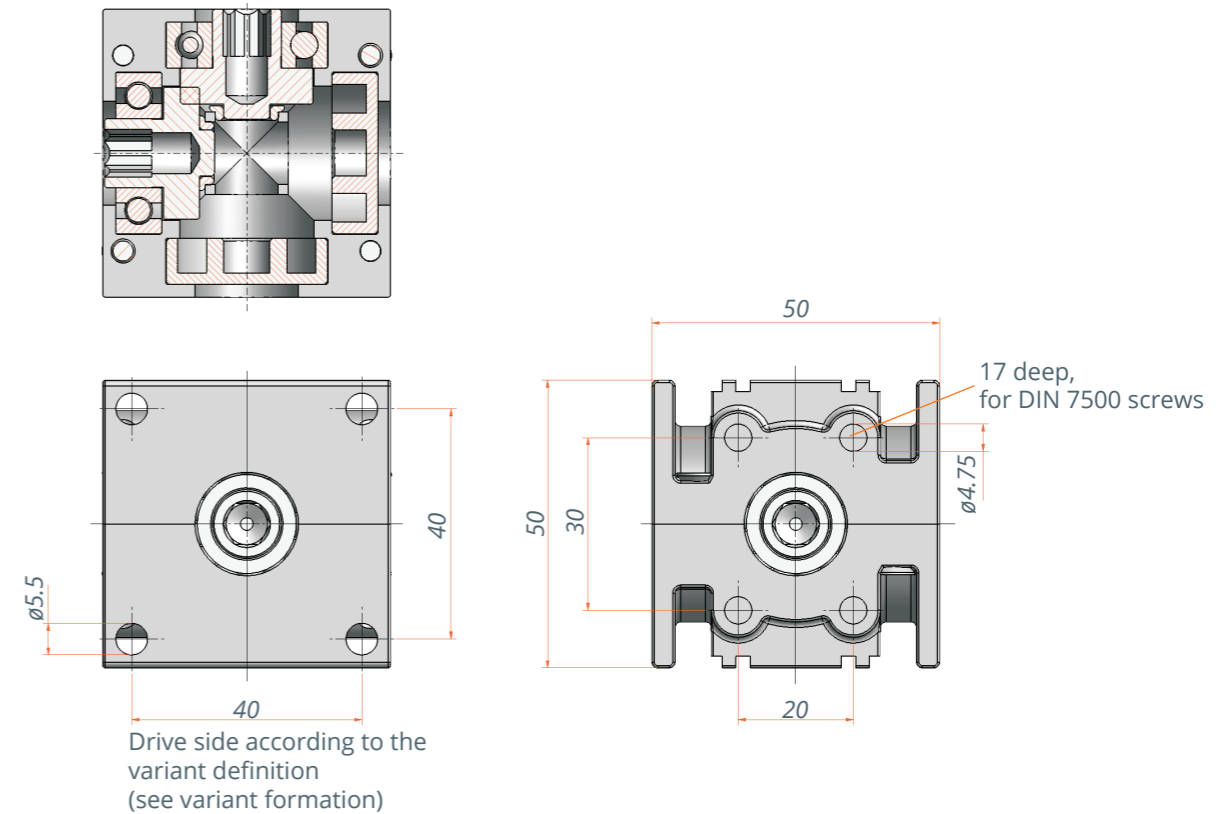
The gearbox can be combined with any spindle. The modular structure of the gearbox allows special customer requests to be met even with small numbers of items.

Special features

- Maintenance-free
- Hardened, bearing seated steel gear cogs
- Housing made of zinc die-casting
- Ratio 1:1
- Up to four inputs are possible
- On require hex 6 mm, blind hole or through hole possible
- Lifetime 20,000 load changes: bei 10 Nm, 110 U/min, with the duty cycle 30 s ON 240 s OFF and at + 25 °C

Variant key

one output 3870.00-1000	input
two opposite outputs 3871.00-1000	input
two outputs 90° 3869.00-1000	input
three outputs 3872.00-1000	input



Technical data

Model	3869.00-1000	3870.00-1000	3871.00-1000	3872.00-1000
Ratio	1:1	1:1	1:1	1:1
Input	hex 7 mm	hex 7 mm	hex 7 mm	hex 7 mm
Output	hex 7 mm	hex 7 mm	hex 7 mm	hex 7 mm
Number of bevel gears	3	2	3	4
Max. drive torque	10 Nm	10 Nm	10 Nm	10 Nm
Housing material	Zinc die-casting	Zinc die-casting	Zinc die-casting	Zinc die-casting

Technical notes

- The drive side can be selected arbitrarily
- Higher torques are possible at reduced speeds

