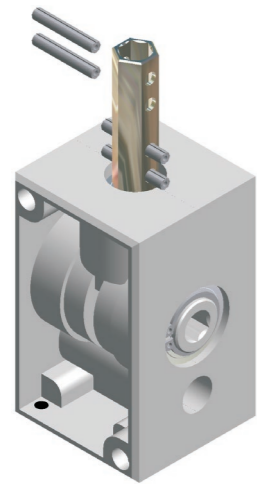


# Bevel gear 3874



## Description

Compact bevel gearbox for the deflection of a rotary movement at an angle of 90°. Ideally suited for the adjustment of large parasols. Special bevel gear toothing ensures smooth running of the gearbox. Drive and output can be modified for custom applications. The gearbox can be combined with any spindle

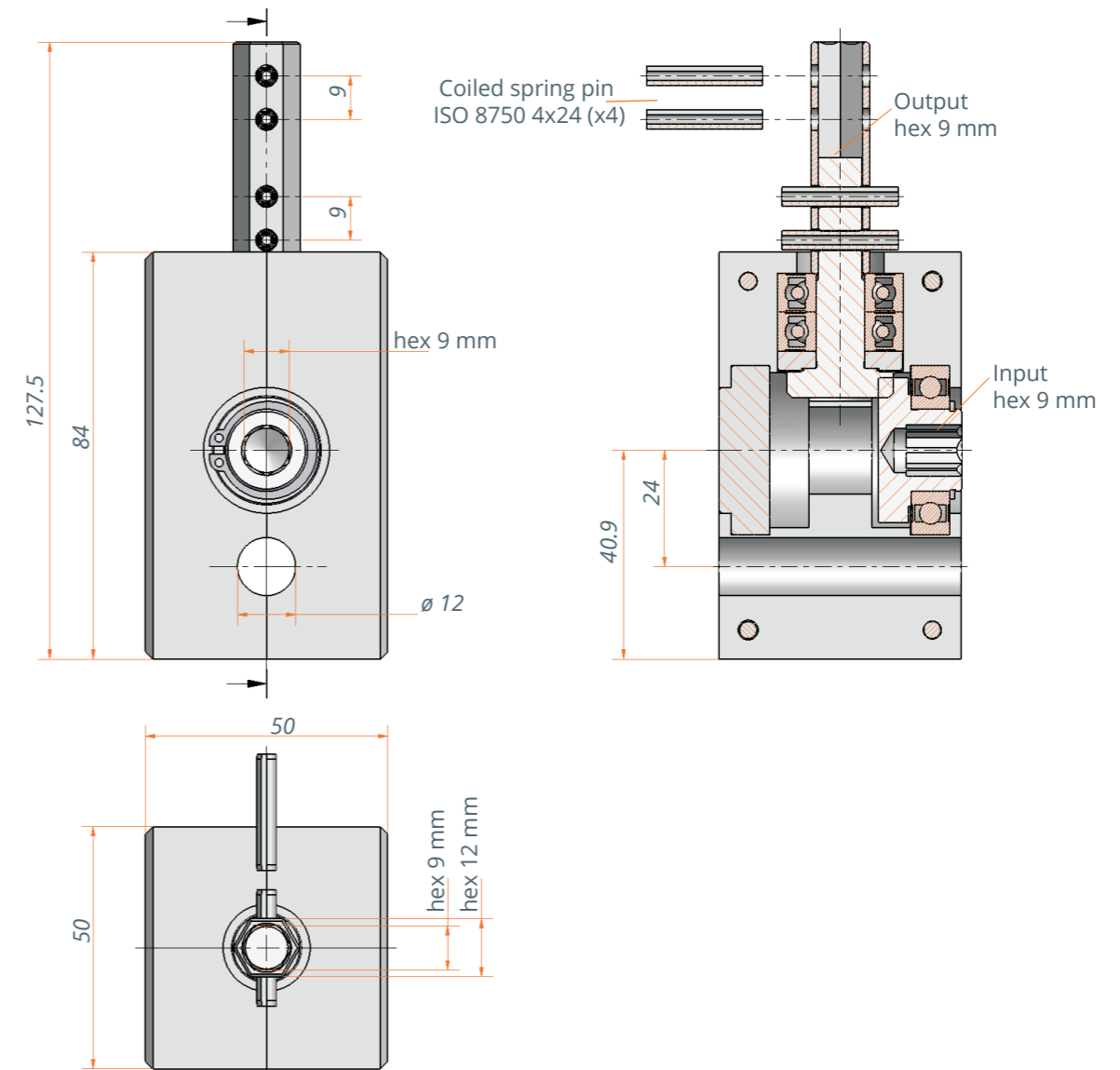
## Special features

- Maintenance-free
- Case-hardened bevel wheels
- Housing made of zinc die-casting
- Construction size 50 x 50 x 84 mm
- Ratio 1:1.5
- Max. output torque 4 Nm
- Designed for the manual operation

## Technical data

Model	3874
Ratio	1:1.5
Input	hex 9 mm
Output	hex 9 mm
Number of bevel wheels	2
Housing material	Zinc die-casting
Max. drive torque	4 Nm
Max. tensile load static short term*	7,000 N
Max. pressure load static short term*	9,000 N

\* Peak load, e.g. caused by gusts of wind



## Technical notes

- Attention: Spindle is not in scope of delivery, can be produced to customer requirements
- Depending of the spindle pitch the self-locking of the system must be checked

## Application example

