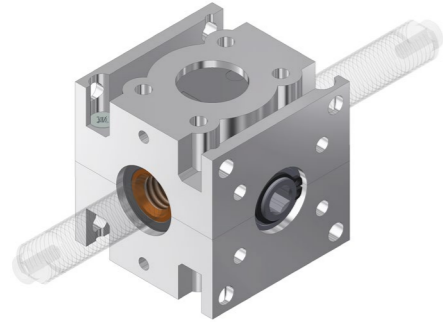


# Bevel gear with throughgoing spindle 3900/3901

## Description

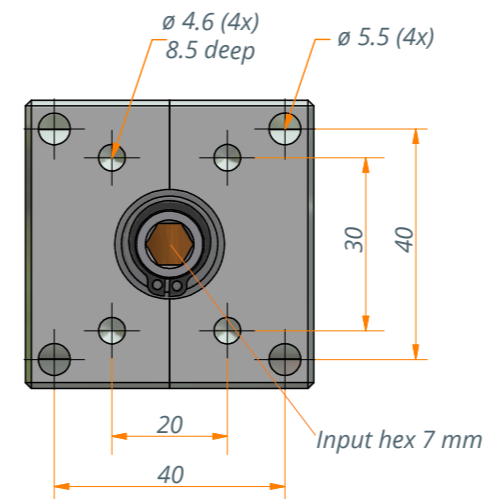
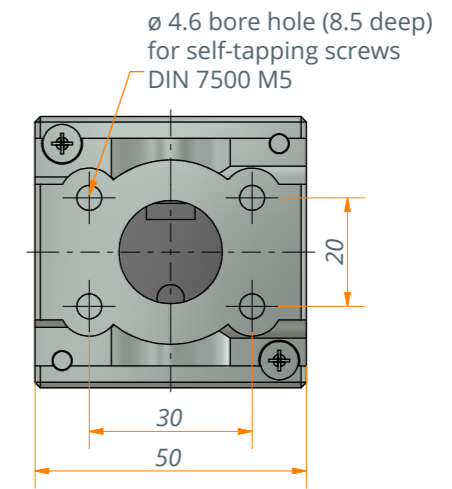
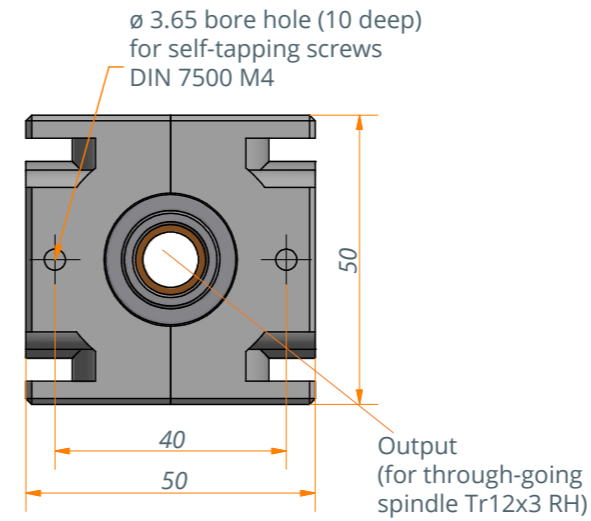
Bevel gear for continuous non-rotating spindles, for thrust and pull movements.

The gear is particularly suitable for use as a lifting system for skylights, winter gardens and greenhouses as well as for special machine engineering. A special bevel gearing ensures quiet operation of the gear. The gear can be supplied with different thread types. Spindles can be custom manufactured to customer specifications.



## Special features

- Maintenance-free
- Case-hardened bevel wheels
- Housing made of zinc die-casting
- Ratio 1,44:1 or 1,5:1
- Designed for electromotive drive, but also ideal for manual drive



## Technical data

Model	3900	3901
Ratio	1.44:1	1.5:1
Input	hex 7 mm	hex 7 mm
Type of thread*	Tr12x3 RH	Tr12x3 RH
Max. lifting force	800 N	800 N

\* Spindle has to be ordered separately

## Technical notes

- Attention: Spindle is not in scope of delivery, can be produced to customer requirements
- The drive side can be selected as required
- Depending of the spindle pitch the self-locking of the system must be checked

## Application example

