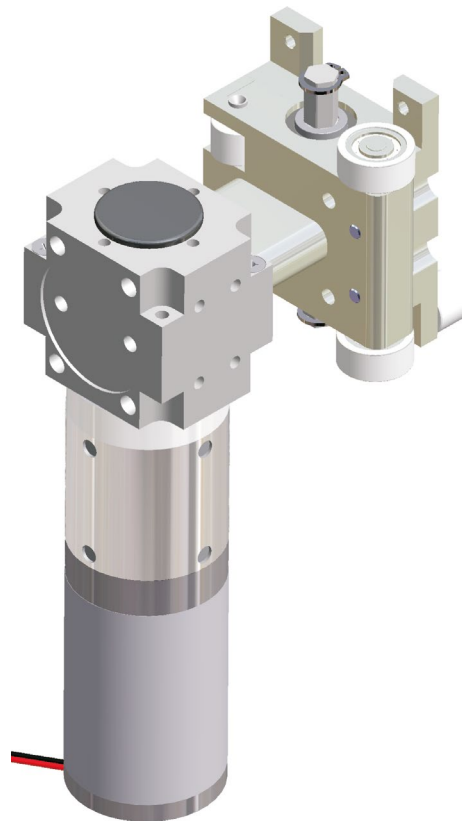


Special Drives for Partition



Customized Solution

4024

24 mm
|-----|

Special Drives for Room-Divider Systems

Room-divider systems allow different space allocation plans to be realized quickly and easily. Partition walls are used not only in sports halls and conference rooms but also in seminar hotels and company buildings, allowing the creation of flexible meeting rooms.

Today's modern room-divider systems allow individual partition elements to be positioned automatically. Ketterer has developed a compact, high-performance drive for use in this area which is capable of coping with the weight of the partition elements and yet is particularly quiet, allowing

rooms to be adapted to suit different requirements quickly and quietly. The greatest possible degree of comfort at the touch of a button.

This special drive can be used wherever compact, high-performance design is a must. Give us a call and see for yourself.