

# Monitor / TV-Lift Ket-Screen Lift S 4701

## Description

Our TV lift allows you to determine when your screen should be visible – quickly and quietly at the press of a button.

Perfectly integrated in furniture, interior walls or ceilings, flat screens or monitors remain concealed until you need them.

Whether in the field of education, for business or personal use Ket-Screen convinces with its stability, ultra compactness and high-quality workmanship.

For monitors up to 24" (screen diagonal 60 cm) and weights up to 25 kg.

## Special features

- High lifting speed
- Simple installation for different assembly situations
- Can be supplied with any stroke up to 750 mm
- Very low noise level allows applications in noise sensitive areas
- With integrated motor cable (1.2 m), see also pin assignment



## Variante key

4701.00	Lift Small		
		<b>Power supply EU/ 230 V &amp; power cable with 3-pin Schuko plug</b>	
	LS03	Standard: VESA standard fastening plate	
	LS05	Short: VESA standard fastening plate, min. installation length	
	LS07	Basic: Screen fixing on the carriage of the linear unit	
		<b>Power supply USA/ 110 V &amp; power cable with 3-pin plug</b>	
	LS13	Standard: VESA standard fastening plate	
	LS15	Short: VESA standard fastening plate, min. installation length	
	LS17	Basic: Screen fixing on the carriage of the linear unit	
		<b>Hub in mm</b>	
		HXXXX customized variable!	
4701.00-	LS03	H0600	Example

## Technical data

	Ket-Screen Lift Small	Standard	Short	Basic
<b>Stroke</b>		customer specification max. 750 mm	customer specification max. 750 mm	customer specification max. 750 mm
<b>Retracted length</b>		Stroke + 219 mm	Stroke + 157 mm	Stroke + 215 mm
<b>Maximum load</b>		250 N	250 N	250 N
<b>Maximum screen size</b>		24"	24"	24"
<b>Movement speed</b>		90 mm/s	90 mm/s	90 mm/s
<b>Item number</b>		4701.00-LSX3HXXXX	4701.00-LSX5HXXXX	4701.00-LSX7HXXXX

## TV-Lift „Ket-Screen Lift S“ Set consisting of:

### 1x Control box Compact-3 in required power supply

- Controlled via manual switch
- Connection for anti-pinch system
- Dimensions: 264 x 103 x 37 mm



### 1x Power cable

- 3-pin Schuko - Europe (for variants LS0X) or alternatively
- 3-pin plug - USA (for variants LS1X)



Further power cables on the „Compact Controller“ page in the „Accessories“ chapter

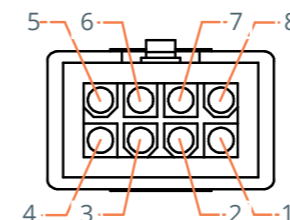
### 1x RF remote control set

- Consisting of RF receiver, remote control (including battery) and manual



Hand control with cable can be ordered separately on the page “Hand controls and motor cables” in the “Accessories” chapter.

## Pin assignment



4. Motor black -  
8. Motor blue +

2. Hall sensor red +5V  
1. Hall sensor violet, output 1  
3, 7. Hall sensor black -  
5. Hall sensor green, output 2



Optional:  
Additional  
mounting plate

incl. screws for mounting  
of the push rods

Attention:  
The screws need to be se-  
cured with thread lock fluid!

Item number: 4701.35-0007

Adjustment screw

2 pieces incl. nut  
adjustment range:  
Max. 75 mm

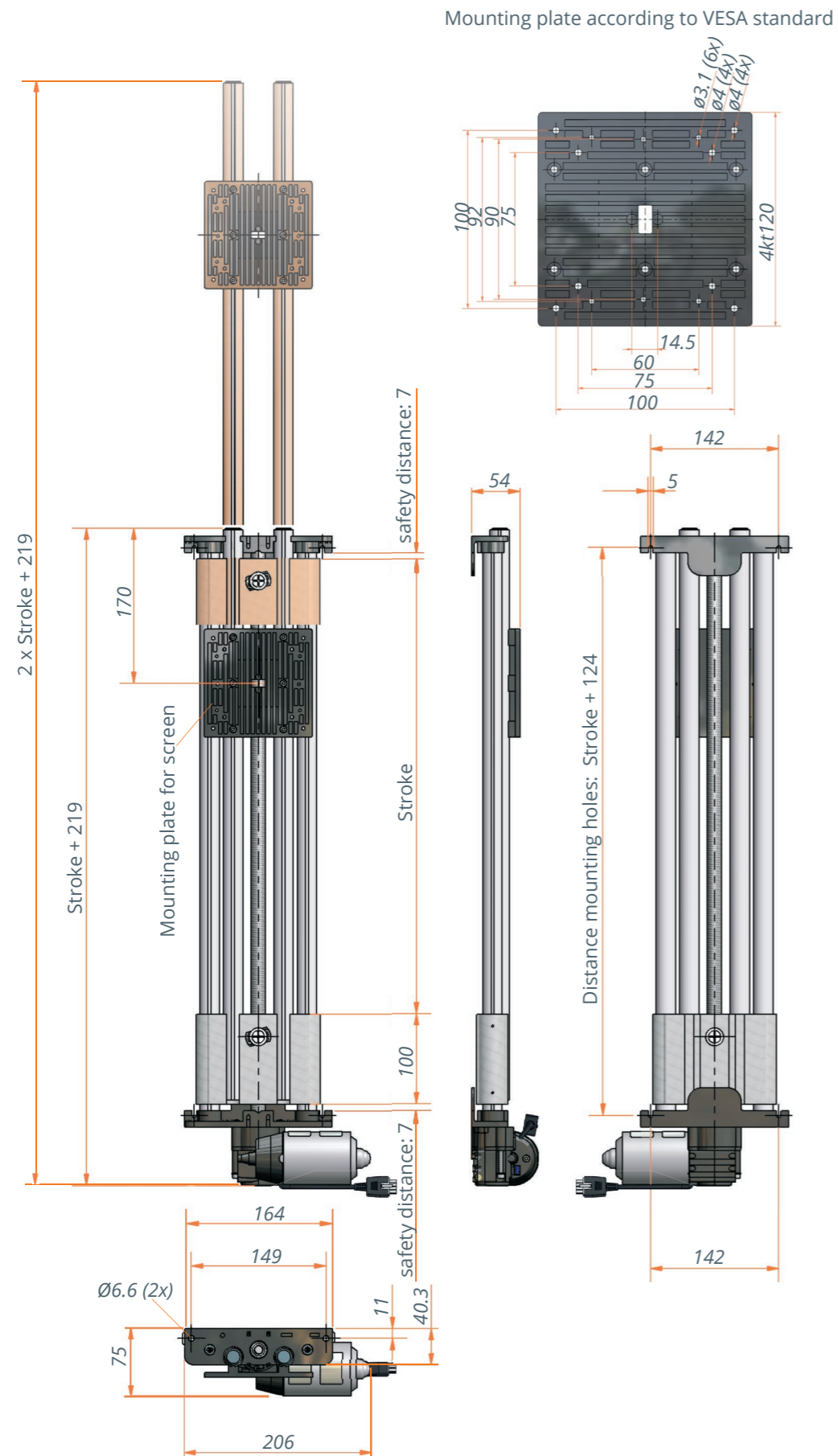
## Technical notes

### Safety instructions

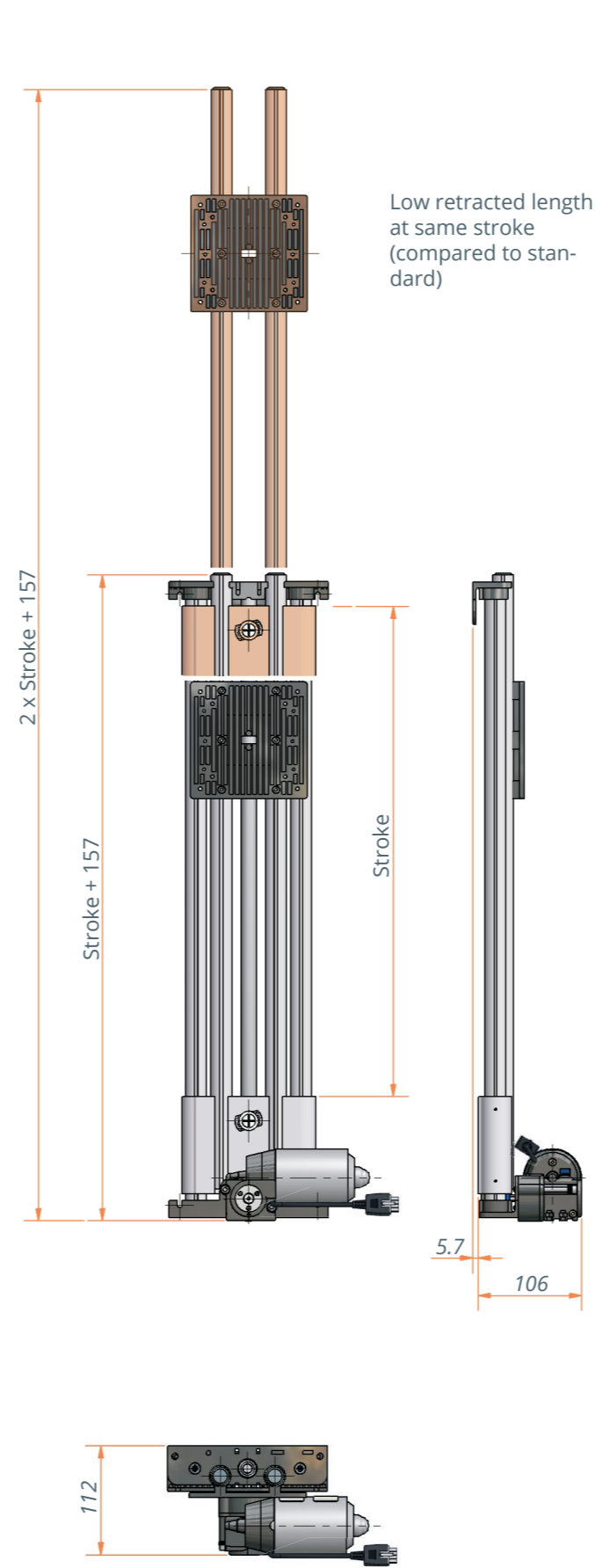
Please take attention to crushing points when installing in a housing.

- Attention: In case of repair the TV lift unit must always be returned together with the control unit

### Standard



### Short



### Basic

