

# Worm gear reducer 4731/4739/...

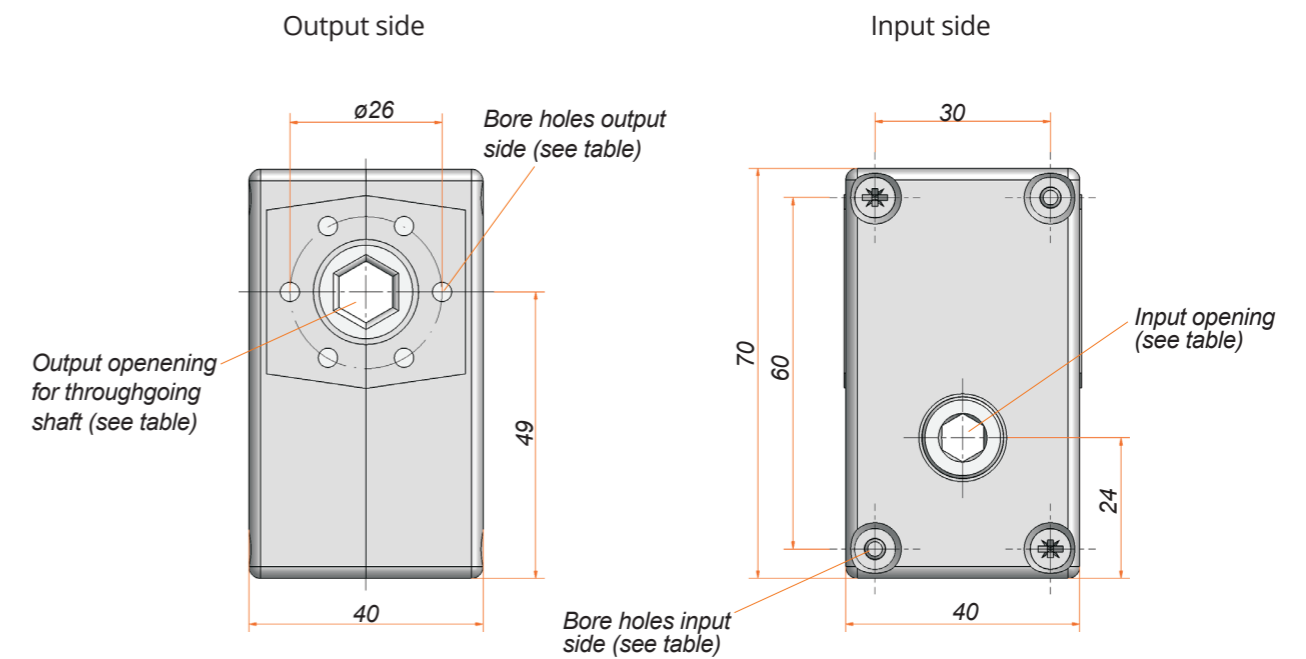
## Description

Worm gear reducer for the deflection of a rotary movement at an angle of 90°. The modular system allows the customized composition matching the installation situation. The gearbox is characterised by a compact design with maximum torque, sturdiness and smooth power transmission. Simple mounting is made possible by a flexible screw fixing.



## Special features

- Maintenance-free
- Housing made of zinc die-casting
- Size 40 x 40 x 70 mm
- 5 Ratios 1:1, 2:1, 8.5:1, 20:1, 30:1
- On request other ratios are possible
- Axial distance 25 mm
- Designed for the manual operation



## Variant key

Designation of the last 4 figures of the order number

Bore holes Output side (see drawing)		Bore holes input side (see drawing)			Output opening for throughgoing shaft (see drawing)					Input (see drawing)		
3.3 mm	M4	7 mm	M4	M8	Square 10 mm	Square 8 mm	Tr14x4 right	Hex 9 mm	Hex 10 mm	Hex 6 mm	Hex 7 mm	Square 8 mm
1XX	2XX	X1XX	X2XX	X3XX	XX1X	XX2X	XX3X	XX4X	XX5X	XXX1	XXX2	XXX3

## Technical data

Model	4731.00-XXXX	4743.00-XXXX	4739.00-XXXX	4742.00-XXXX	4745.00-XXXX
Ratio	1:1	2:1	8,5:1	20:1	30:1
Self-locking	No	No	Yes	Yes	Yes
Max. Output torque	2 Nm	3 Nm	9 Nm	15 Nm	17 Nm
Preferred type	4731.00-2242	4743.00-2311	4739.00-2311	4742.00-1153	4745.00-2311