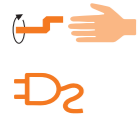
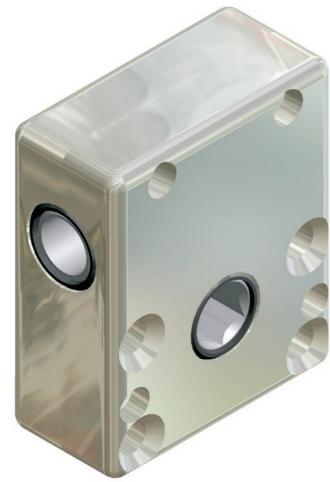


Worm gear reducer 4747/4749/...

Input broad side

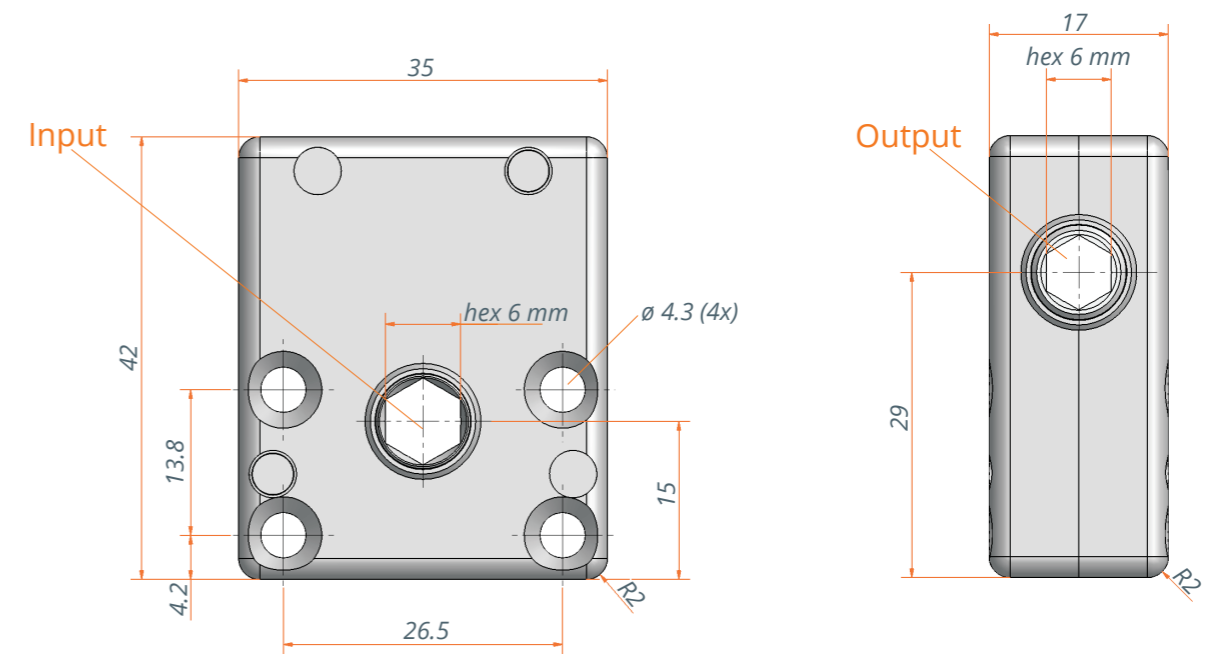


Description

Compact, universally usable and maintenance-free worm gearbox in a size with an axle distance of 14 mm and various reduction ratios. The drive is located on the wide side of the gearbox. The worm wheel assembly is right-handed. The direction of rotation on the shaft is arbitrary. The gearbox is characterised by a compact design with maximum torque, sturdiness and smooth power transmission. Simple mounting is made possible by a flexible screw fixing.

Special features

- Axial distance 14 mm
- Maintenance-free grease lubrication
- Case hardened worm and cog wheel
- Housing made of zinc die-casting
- Duty cycle 10 % at 5 min
- On request also possible with counter-clockwise-ascending worm and wheel set and other ratios



Technical data

Model	4747.00-00	4749.00-00	4751.00-00
Ratio	4.33:1	2.5:1	1:1
Static self-locking	Yes	No	No
Max. output torque	3 Nm	3 Nm	3 Nm
Max. input torque	1.9 Nm	2.6 Nm	5.2 Nm

Model	4752.00-00	4754.00-00	4755.00-00
Ratio	3.33:1	6:1	13:1
Static self-locking	Yes	Yes	Yes
Max. output torque	3 Nm	3 Nm	3 Nm
Max. input torque	2.4 Nm	1.8 Nm	1.3 Nm

