

# Worm gear reducer 4748/4750/...

Input narrow side

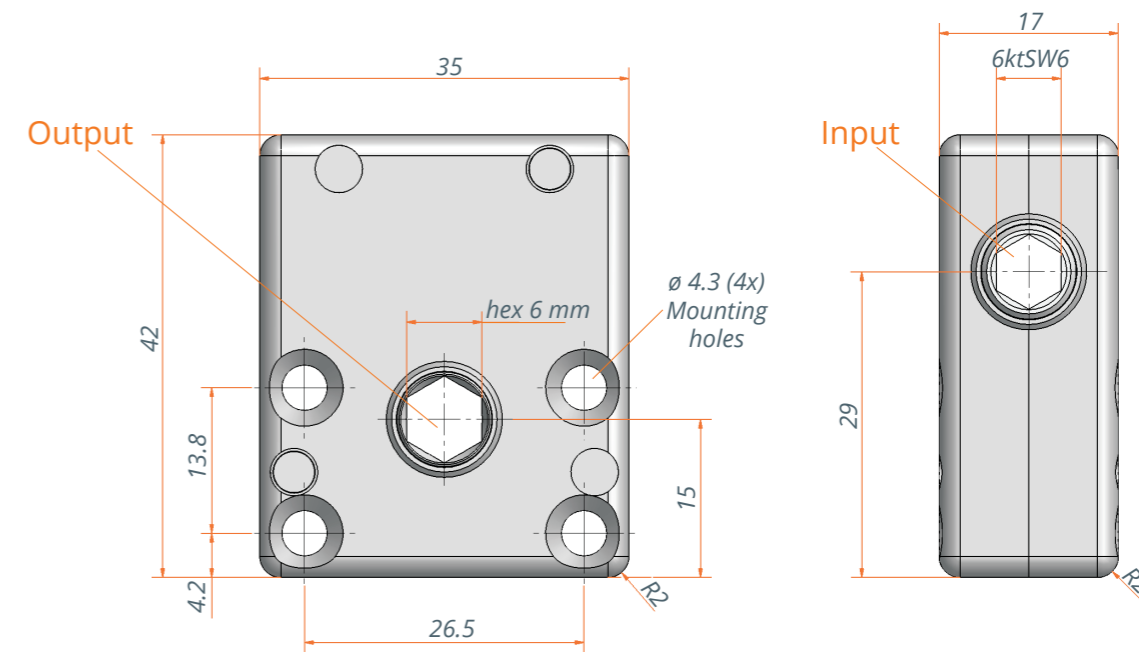
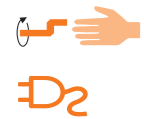
## Description

Compact, universally usable and maintenance-free worm gearbox in a size with an axle distance of 14 mm and various reduction ratios. The drive is located on the narrow side of the gearbox. The worm wheel assembly is right-handed. The direction of rotation on the shaft is arbitrary.

The gearbox is characterised by a compact design with maximum torque, sturdiness and smooth power transmission. Simple mounting is made possible by a flexible screw fixing.

## Special features

- Axial distance 14 mm
- Maintenance-free grease lubrication
- Case hardened worm and cog wheel
- Housing made of zinc die-casting
- Duty cycle 10 % at 5 min
- On request also possible with counter-clockwise-ascending worm and wheel set and other ratios

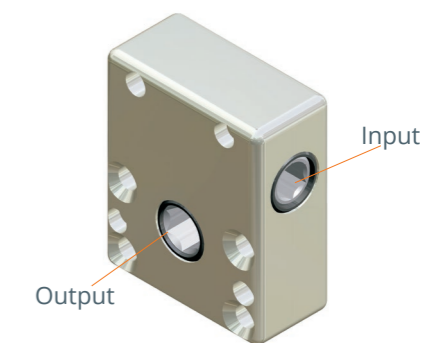


## Technical data

Model	4748.00-00	4750.00-00	4751.00-00	4753.00-00
Ratio	4.33:1	10:1	1:1	2.8:1
Static self-locking	Yes	Yes	No	No
Max. output torque	3 Nm	4 Nm	2 Nm	3 Nm
Max. input torque	1.7 Nm	1.7 Nm	4 Nm	2 Nm

Model	4757.00-00	4758.00-00	4763.00-00	4767.00-00
Ratio	14:1	15:1	23:1	2:1
Static self-locking	Yes	Yes	Yes	No
Max. output torque	5 Nm	4 Nm	3 Nm	3 Nm
Max. input torque	1.8 Nm	1.3 Nm	1 Nm	2.8 Nm

Note: The values were determined at a speed of 70 rpm and room temperature



## Technical notes

Only the mounting holes (see drawing) are to be used for gear unit mounting.