

# Motor drive 4773

## Description

Powerful 24 V DC motor with two worm gears and a planetary gear.  
High reduction ratio makes precise control and position setting possible.

## Special features

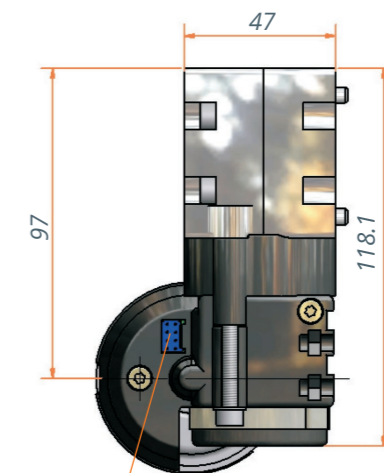
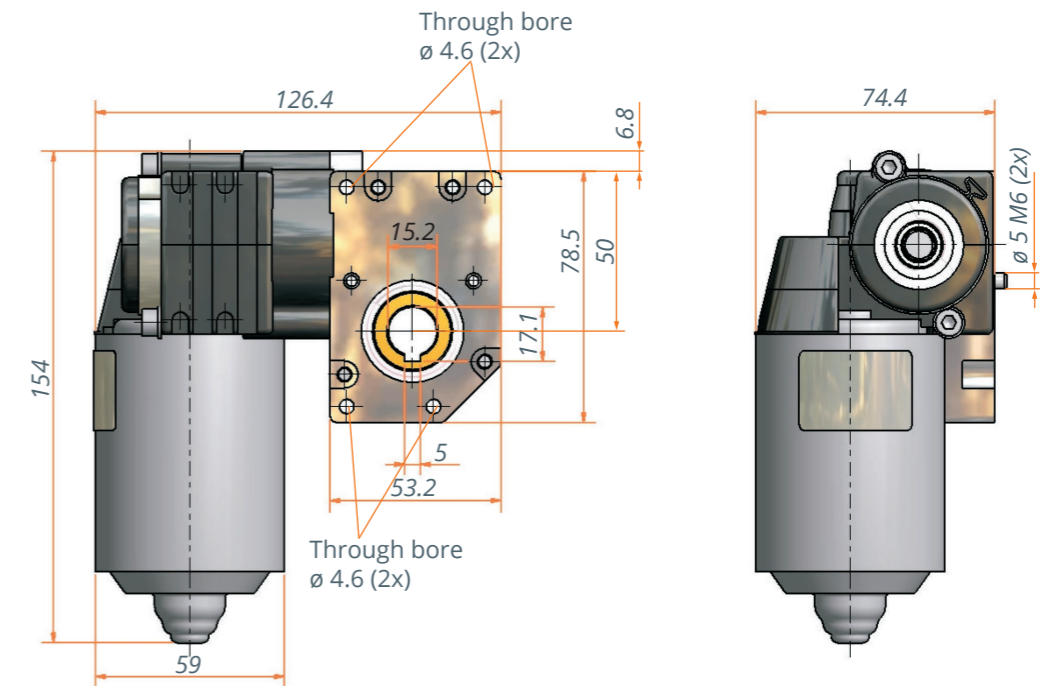
- Compact, precise gears for sophisticated position adjustment
- High reduction ratio
- High drive torque
- Two integrated Hall sensors for measurement of the revolutions and direction of rotation
- Low noise



## Technical data

Model	4773.00-0002
Motor	DC motor 18 V
Sensor/Power supply	Hall/5 V DC/0.3 A
Protection class	IP30
Duty cycle idle speed	20% (at 5 min.)
Idle running speed	1 rpm (24 V) 1.5 rpm (32 V)
Max. drive torque*	40 Nm
Input	bore hole with keyway

\* Load determined for service life of 10,000 double strokes



AMP connector Minitit line HE 14