

Crank-handle 5180

Description

Crank-handle grip and the crank extension are made of glass-fibre reinforced synthetic material.

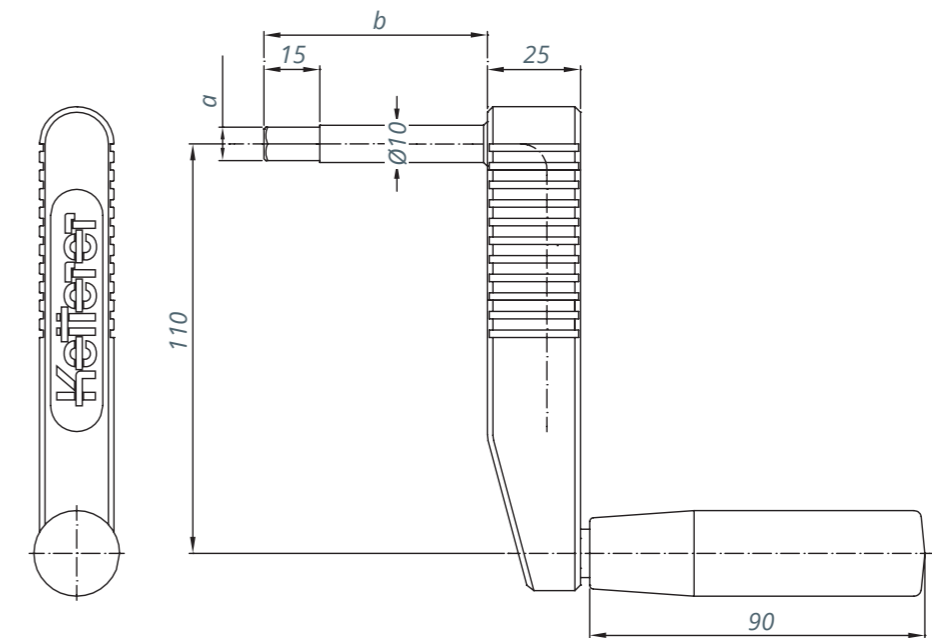


Special features

- Modern design
- On request, the type and length of the hexagonal bolt as well as the colour of the crank body can be produced to customer specification
- On request, an own logotype is possible

Technical data

Model	5180 Standard	5180 Customer specific
Measure a	Hex 9 mm	On request
Measure b	60 mm	On request
Type of hexagonal bolt	Hardened/Blank	On request
Colour (crank body and grip)	Black	On request
Logotype	Without	Your logotype



Application example

