

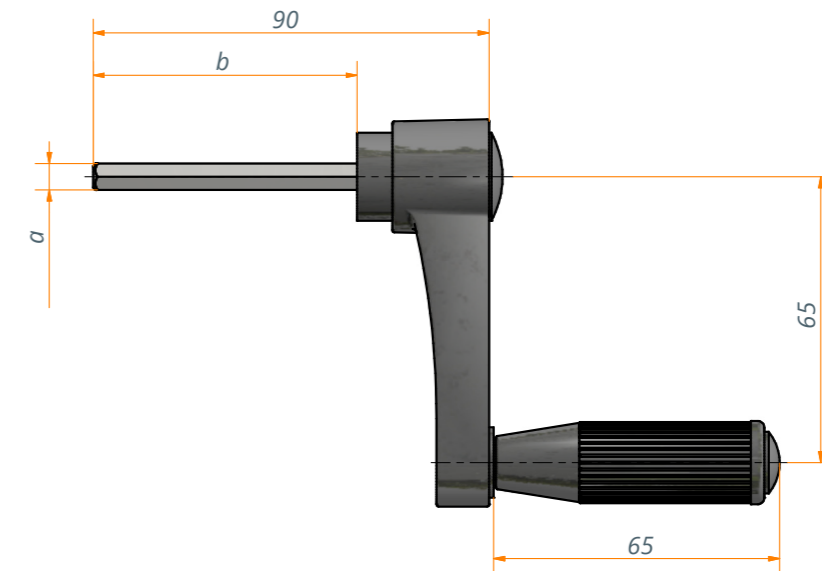
Crank-handle 5190

Description

Crank-handle grip and crank extension are made of glass-fibre reinforced synthetic material.

Special features

- Modern design
- On request, the type and the length of the hexagonal bolt as well as the colour of the crank body can be produced to customer specifications



Technical data

Model	5190.00-0000	5190 Customer specific
Measure a	Hex 6 mm	On request
Measure b	60 mm	On request
Type of hexagonal bolt	Alvanized	On request
Colour (Crank body and grip)	Black	On request

Application example

