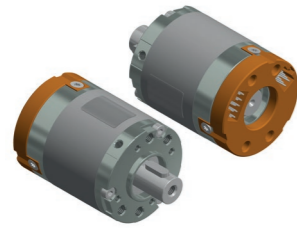


t-Rex 3200 (short version, focus torque)

I-44-47-L41 S2



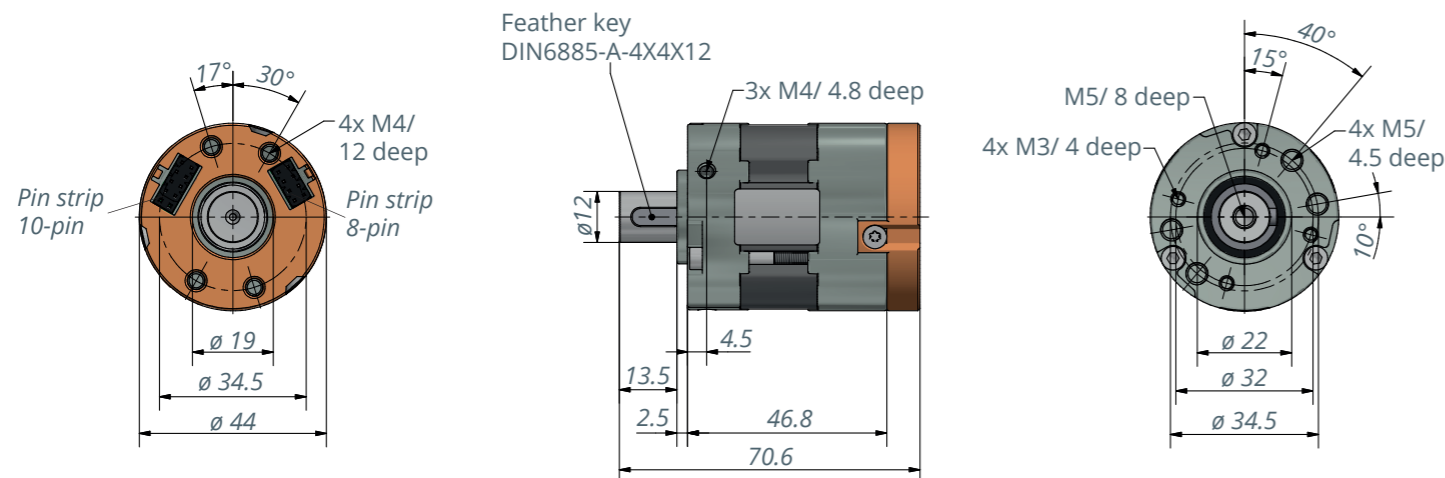
Description

14-pole BLDC motor with high-performance neodymium magnets and three digital Hall sensors to detect the rotor position. The electrical connections are designed as a plug-in system. Additional power electronics are required to operate the motor. Motor design with a hollow shaft is also available upon request. This allows the cables to run through the motor or the implementation of output on both sides.

Special features

- Designed with **focus on torque**
- Enormous performance density – 3 times stronger than motors of comparable size
- High overload resistance
- Ideally suited as direct drive, or generator for gearless applications
- Special winding upon request
- Design and manufacture of motor to specified operating point is possible

3200.00-3000 with shaft



Digital Hall-sensors

Supply of sensors

Voltage range: 4.5 to 5.5 V DC
Optional: voltage regulator for 5 V
Input current: < 70 mA

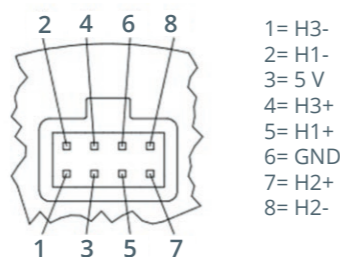
Output signals of sensors

Differential output
(RS422 standard, datasheet AM26 C31-TI)
Typical voltage range: 0.2/ 3.4 V @ 20 mA
Output current: max. 20 mA

Signal structure: The Hall sensors have a 120° phase shift to each other
Due to the 14-pole design the

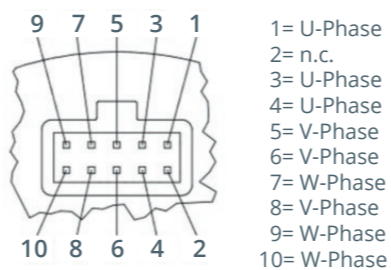
Signal frequency is seven times higher than the speed

Hall-sensors



Socket strip RM 2.54 / 8 PIN
W+P 3491-08

Motor phases



n.c.= please do not connect
RM 2.54 / 10 PIN
W+P 3491-10

t-Rex 3200-I-44-47 L41 S2 DH	3200.00-3000		
Rated voltage	24 VDC	36 VDC	48 VDC
Rated current	2.6 A	2.6 A	2.8 A
Rated torque	0.2 Nm	0.2 Nm	0.2 Nm
Rated speed	2000 rpm	3187 rpm	4437 rpm
Shaft power (output)	42 W	67 W	93 W
Max. efficiency	70 %	72 %	72 %
Idle speed	2702 rpm	4089 rpm	5483 rpm
No-load current	0.4 A	0.4 A	0.4 A
Stall torque	1.0 Nm	1.3 Nm	1.5 Nm
Starting current at idle speed	14 A	18 A	20 A
Torque constant	0.077 Nm/A	0.073 Nm/A	0.073 Nm/A
Speed constant	113 rpm/V	114 rpm/V	114 rpm/V

Motor parameters

Terminal resistance (phase to phase)	1.09 Ohm
Terminal inductance (phase to phase)	98 mH
Rotor inertia	125 kg* mm ²
Number of poles	14
Interconnection of the motor	Star
Number of coils per phase	2
Interconnection of coils	2 Series
Direction of rotation	bidirectional

Note: Max. ambient temperature = 40 °C, controller-specific
At the nominal point (TU = 20°C), controller-specific

Motor characteristics at 24 V

Motor cable approx. 1.5 m

Item number: 3200.53-05

