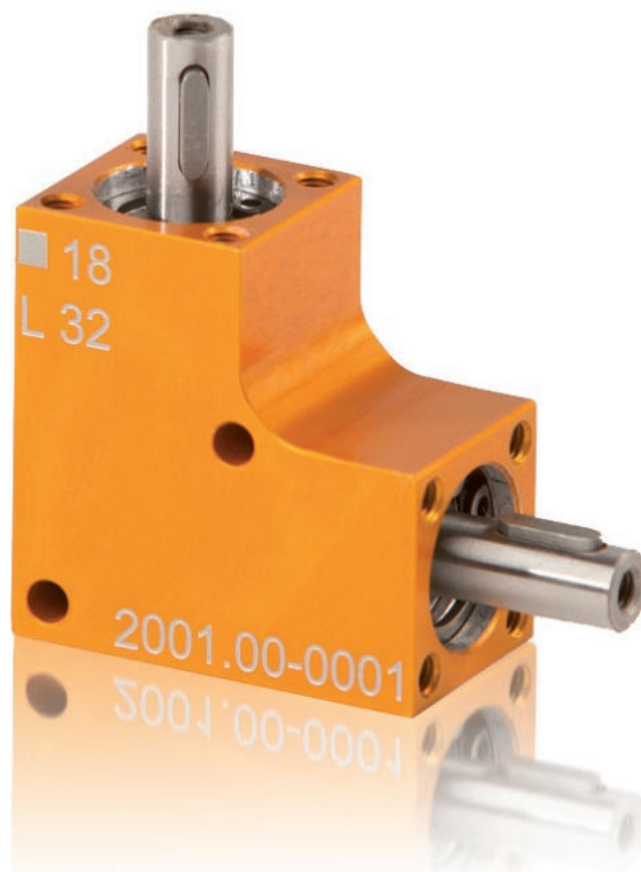


Bevel Gearboxes

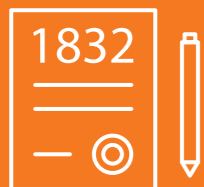


WE GET IDEAS MOVING

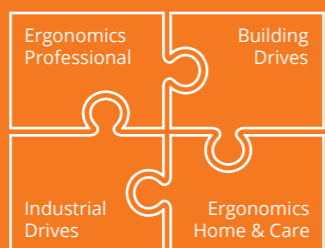
The spirit of innovation and a sense of ideas beyond the familiar has made us into a pioneering company over more than 185 years.

For a quarter of a century, we have been offering customized drive solutions for office and workplace workstations, as well as for shading systems and building technology.

Through our tradition of innovation, we have succeeded in establishing ourselves as a specialist and problem-solver in numerous areas.



Over 185 years' experience



More than 60 standard solutions for four different market segments



100% Made in Black Forest

THE RIGHT PRODUCT FOR EACH APPLICATION

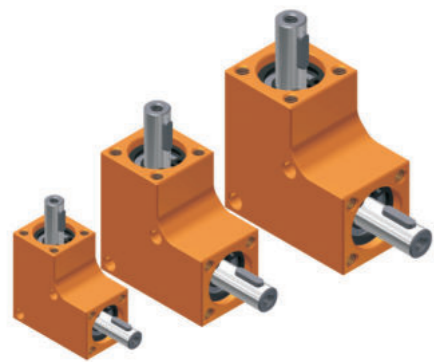
Bevel Gears

- Page 04 200X L-Gearbox Angular gear Ket-Bee
- Page 08 200X T-Gearbox Angular gear Ket-Bee
- Page 12 3014 Deflection gearbox
- Page 14 3039 Deflection gearbox
- Page 16 3045 Deflection gearbox
- Page 18 3056 Bevel gearbox
- Page 20 3057 Bevel gearbox
- Page 22 3058 Bevel gearbox
- Page 24 3869/3870/3871/3872 Bevel gearbox
- Page 26 3874 Bevel gearbox
- Page 28 3875 Bevel gearbox
- Page 30 3900/3901 Bevel gearbox with throughgoing spindle

Angular gear Ket-Bee 200X L-Gearbox

A bevel gearbox family consisting of 10 sizes for versatile use as an angular gearbox.

The gearbox is characterised by a compact design with maximum torque, sturdiness and smooth power transmission. The uncomplicated mounting is made possible by a simple screw fixing.



Special features

- Maintenance-free and silent running thanks to hardened steel bevel gears
- Aluminium housing, anodized (orange or silver)
- Ratio 1:1
- Permitted operating temp. -20°C to +60°C
- Backlash at drive shaft 3° ± 1°
- Duty cycle 20 % at 5 min (1 min ON, 4 min OFF)
- Lifetime of 1000 hours with:
 - full load and
 - input speed of 500 rpm and
 - duty cycle 20 % with 5 min

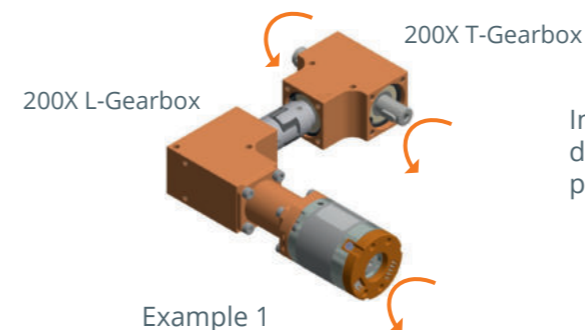


Ket-Bee L-Gearbox 90°		Max. torque (Speed-dependent)										
2000.00-	0.04 bis 0.28	Nm	□15 mm	26 mm								
2001.00-	0.05 bis 0.35	Nm	□18 mm	32 mm								
2002.00-	0.15 bis 0.75	Nm	□20 mm	35 mm								
2003.00-	0.50 bis 2.50	Nm	□24 mm	42 mm								
2004.00-	0.75 bis 4	Nm	□26 mm	46 mm								
2005.00-	1 bis 5	Nm	□30 mm	53 mm								
2006.00-	1.50 bis 8	Nm	□32 mm	56 mm								
2007.00-	2 bis 10	Nm	□35 mm	60 mm								
2008.00-	2.5 bis 12	Nm	□40 mm	68 mm								
2009.00-	3 bis 14	Nm	□45 mm	77 mm								
Gearboxtype												
L L-Gearbox: Angular gearbox 90°												
Housing: Material & Optics												
0 Alu, orange anodized (standard)												
1 Alu, silver anodized												
Configuration of shaft												
A X, Y: Solid shaft with feather key (at 2000 gearbox no feather key possible)												
Shaft Ø in mm per gearbox-type (Dimension m)												
XX Example: „06“ bei 2001.00												
			m: for 2000	m: for 2001	m: for 2002	m: for 2003	m: for 2004	m: for 2005	m: for 2006	m: for 2007	m: for 2008	m: for 2009
			04	06	06	08	08	08	10	12	12	12
					08	10	12	12	12			mm
Ratio R												
R1 i = 1:1												
2002.00-	L	0	A	06	R1	Example: 2002.00-L0A06R1						

Item.-Nr.	Speed n in rpm	Max. torque M in Nm	Radial and axial load*		Part weight in kg
			F _R in N	F _A in N	
2000.00-L0AXXR1	100/500/1000	0.28/0.08/0.04	48	48	0.03
2001.00-L0AXXR1	100/500/1000	0.35/0.1/0.05	60	60	0.05
2002.00-L0AXXR1	100/500/1000	0.75/0.3/0.15	100	100	0.07
2003.00-L0AXXR1	100/500/1000	2.5/1/0.5	120	120	0.14
2004.00-L0AXXR1	100/500/1000	4 /1.5/0.75	140	140	0.19
2005.00-L0AXXR1	100/500/1000	5/2/1	240	240	0.27
2006.00-L0AXXR1	100/500/1000	8/3/1.5	550	550	0.33
2007.00-L0AXXR1	100/500/1000	10/4/2	550	550	0.40
2008.00-L0AXXR1	100/500/1000	12/5/2.5	600	600	0.57
2009.00-L0AXXR1	100/500/1000	14/6/3	750	750	0.80

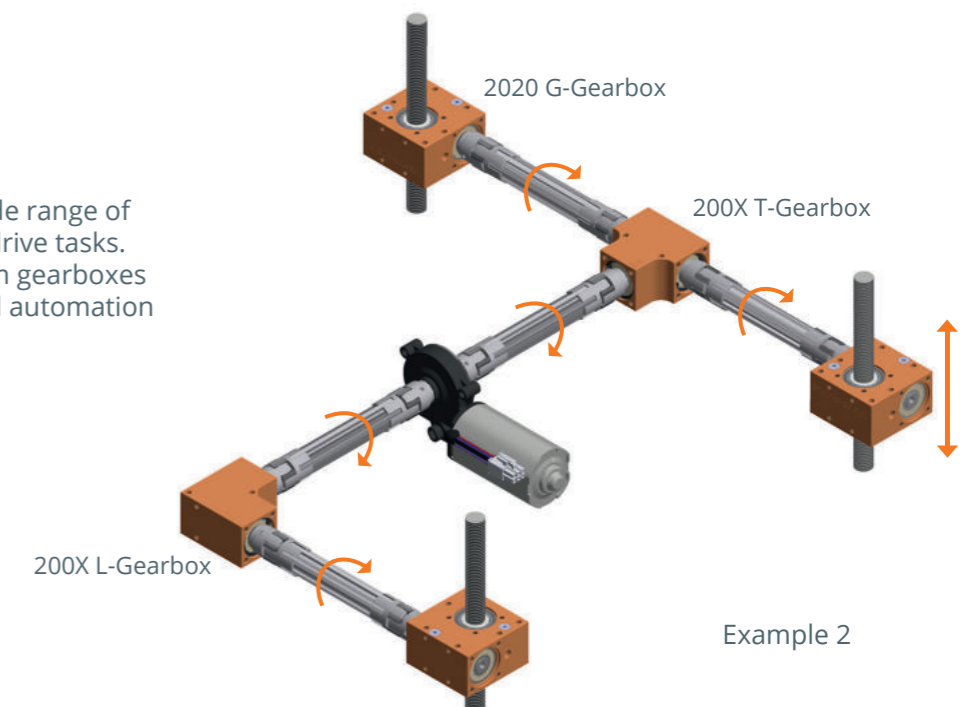
* The values of F_R apply only when F_A = 0 N
The values of F_A apply only when F_R = 0 N

Application example

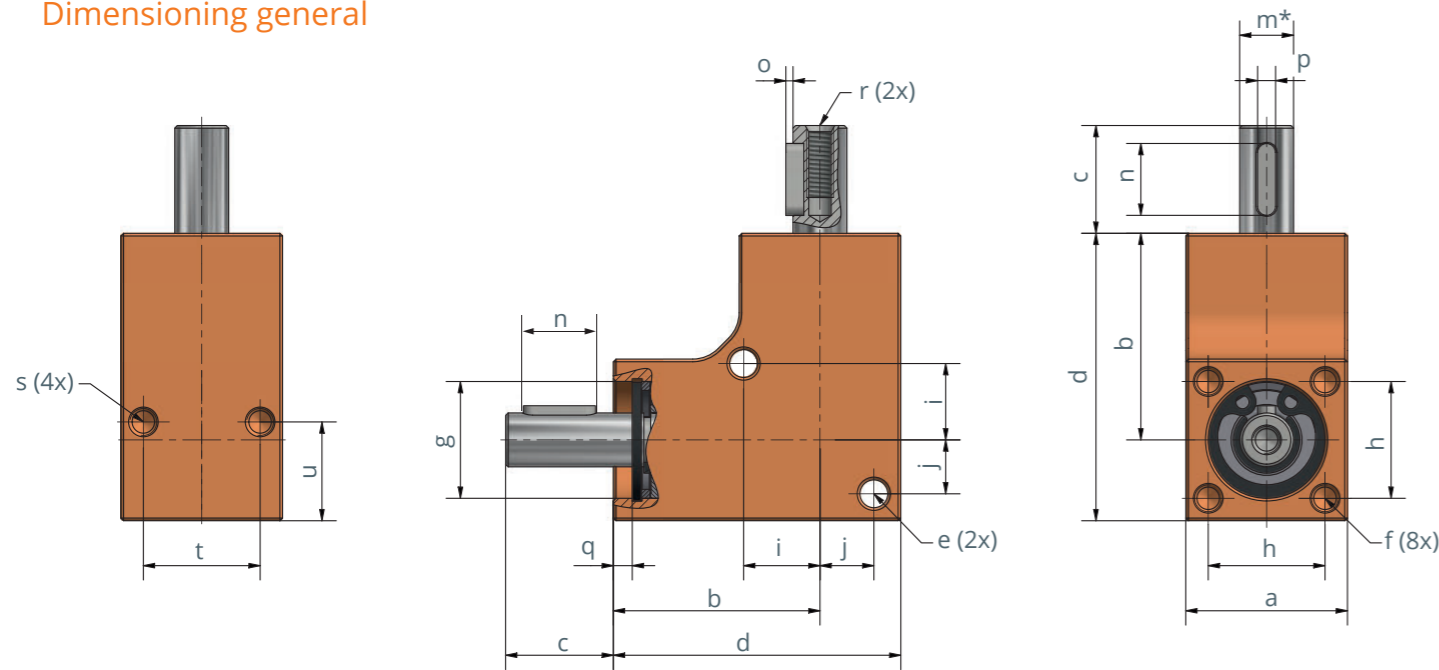


In our Ket-Bee family we offer gearboxes for a simple 90° deflection (200x L-gearbox) as well as for a splitting of the power transmission to two drives (200x T-gearbox)

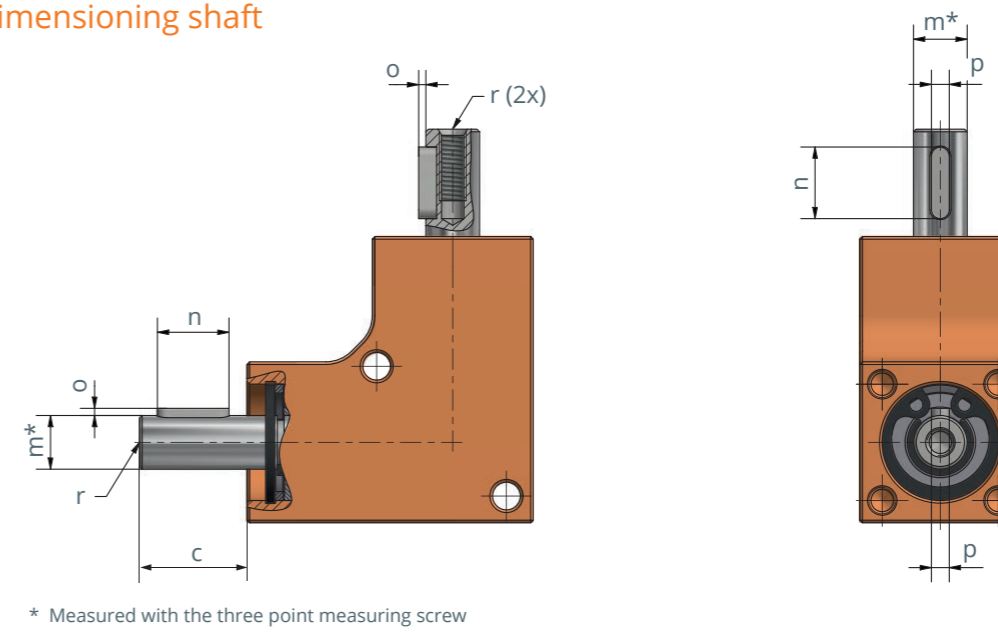
Our standard components offer a wide range of options for efficiently implementing drive tasks. Thanks to numerous variants of worm gearboxes from the Ket-Motion series, almost all automation tasks can be mastered with ease.



Dimensioning general



Dimensioning shaft



Dimensioning of the shaft of gearbox type 2000.00-LOA04R1

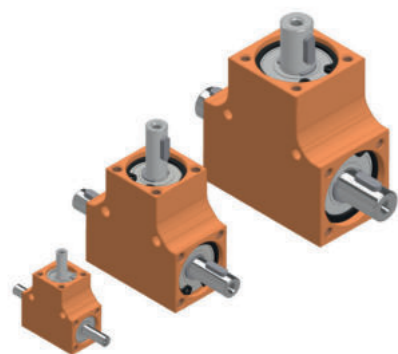


Gearbox-type	Dimensions in mm												
	a	b	d	e	f	g	h	i	j	q	s	t	u
2000	15	18.5	26	ø2.6	M2.5x5	ø11	11	8	4.5	1.1	M2,5x5	11	9
2001	18	23	32	ø3.1	M3x10	ø13	13	8.5	6	2.1	M3x6	13	11
2002	20	25	35	ø3.1	M3x10	ø16	15	10	7	2.05	M3x6	15	10
2003	24	30	42	ø4.1	M4x10	ø19	18	12	8	2	M4x8	18	16
2004	26	33	46	ø4.1	M4x10	ø21	20	13	9	2	M4x8	20	16
2005	30	38	53	ø4.1	M4x10	ø24	22	15	11	2.1	M4x8	22	16
2006	32	40	56	ø4.1	M4x10	ø28	24	17	12	2.1	M4x8	24	16
2007	35	42.5	60	ø4.1	M4x10	ø30	26	17.5	13.5	2.1	M4x8	26	16
2008	40	48	68	ø5.1	M4x10	ø32	30	20	15	2	M5x10	30	20
2009	45	54.5	77	ø5.1	M4x10	ø37	35	22.5	17.5	3.3	M5x10	35	20

Gearboxtype	ø Shaft	Shaft-length	Dimension featherkey			Threaded hole inside	Item- Nr.
	m*		n	o	p	r	
2000	ø4j5	10	-	-	-	M2.5x5	2000.00-LOA04R1
2001	ø6j6	12	8	0.8	2	M3x8	2001.00-LOA06R1
2002	ø6j6 ø8j6	12 12	8 8	0.8 0.8	2 2	M3x6 M3x8	2002.00-LOA06R1 2002.00-LOA08R1
2003	ø8j6 ø10j6	16 16	10 12	1.2 1.5	3 4	M4x8 M4x8	2003.00-LOA08R1 2003.00-LOA10R1
2004	ø8j6 ø12j6	16 16	10 12	1.2 1.5	3 4	M4x8 M5x8	2004.00-LOA08R1 2004.00-LOA12R1
2005	ø8j6 ø12j6	16 16	10 12	1.2 1.5	3 4	M4x8 M5x8	2005.00-LOA08R1 2005.00-LOA12R1
2006	ø10j6 ø12j6	16 16	10 12	1.2 1.5	3 4	M4x8 M5x8	2006.00-LOA10R1 2006.00-LOA12R1
2007	ø12j6	16	12	1.5	4	M5x8	2007.00-LOA12R1
2008	ø12j6	16	12	1.5	4	M5x8	2008.00-LOA12R1
2009	ø12j6	16	12	1.5	4	M5x8	2009.00-LOA12R1

Angular gear Ket-Bee 200X T-Gearbox in synchronization

A bevel gearbox family with through-going shaft consisting of 10 sizes for versatile use as an angular gearbox. The gearbox is characterised by a compact design with maximum torque, sturdiness and smooth power transmission.



Special features

- Maintenance-free and silent running thanks to hardened steel bevel gears
- Aluminium housing, anodized
- Ratio 1:1
- Permitted operating temp. -20°C to +60°C
- Backlash at drive shaft 3° ± 1°
- Duty cycle 20 % at 5 min (1 min ON, 4 min OFF)
- Lifetime of 1000 hours with:
 - full load and
 - input speed of 500 rpm and
 - duty cycle 20% with 5 min

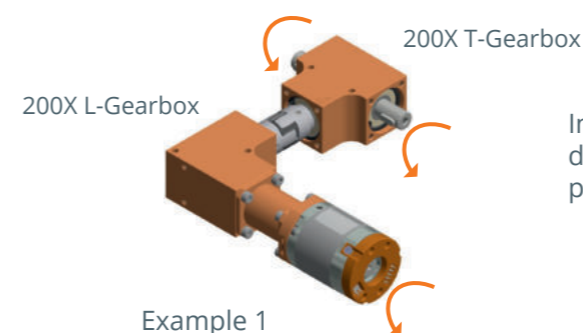


Ket-Bee T-Gearbox 90°																											
	Max. torque (Speed-dependent)		a	d																							
2000.00-	0.04 to 0.28	Nm	□ 15 mm	26 mm																							
2001.00-	0.05 to 0.35	Nm	□ 18 mm	32 mm																							
2002.00-	0.15 to 0.75	Nm	□ 20 mm	35 mm																							
2003.00-	0.5 to 2.5	Nm	□ 24 mm	42 mm																							
2004.00-	0.75 to 4	Nm	□ 26 mm	46 mm																							
2005.00-	1 to 5	Nm	□ 30 mm	53 mm																							
2006.00-	1.5 to 8	Nm	□ 32 mm	56 mm																							
2007.00-	2 to 10	Nm	□ 35 mm	60 mm																							
2008.00-	2.5 to 12	Nm	□ 40 mm	68 mm																							
2009.00-	3 to 14	Nm	□ 45 mm	77 mm																							
Gearboxtype																											
T T-gearbox: Through-going shaft																											
Housing: Material & Optics																											
0 Alu, orange anodized (standard) * Color according to customer requirements																											
1 Alu, silver anodized																											
Configuration of shaft & direction of rotation																											
A X,Y,Z: Solid shafts with feather key/ X,Z in synchronisation *at 2000 gearbox no feather key																											
Shaft Ø in mm per gearbox-type (Dimension m)																											
XX Example: „06“ for 2001																											
<table border="1"> <tr> <td>m: for 2000</td> <td>m: for 2001</td> <td>m: for 2002</td> <td>m: for 2003</td> <td>m: for 2004</td> <td>m: for 2005</td> <td>m: for 2006</td> <td>m: for 2007</td> <td>m: for 2008</td> <td>m: for 2009</td> <td></td> </tr> <tr> <td>04</td> <td>06</td> <td>06</td> <td>08</td> <td>08</td> <td>08</td> <td>10</td> <td>12</td> <td>12</td> <td>12</td> <td>mm</td> </tr> </table>						m: for 2000	m: for 2001	m: for 2002	m: for 2003	m: for 2004	m: for 2005	m: for 2006	m: for 2007	m: for 2008	m: for 2009		04	06	06	08	08	08	10	12	12	12	mm
m: for 2000	m: for 2001	m: for 2002	m: for 2003	m: for 2004	m: for 2005	m: for 2006	m: for 2007	m: for 2008	m: for 2009																		
04	06	06	08	08	08	10	12	12	12	mm																	
Ratio R																											
R1 i = 1:1																											
2002.00-	T	0	A	06	R1																						
Example: 2002.00-T0A06R1																											

Item.-Nr.	Speed n in rpm	Max. torque M in Nm	Radial and axial load* F _R in N F _A in N		Part weight in kg
2000.00-T0A04R1	100/500/1000	0.28/0.08/0.04	48	48	0.03
2001.00-T0A06R1	100/500/1000	0.35/0.1/0.05	60	60	0.06
2002.00-T0A06R1	100/500/1000	0.75/0.3/0.15	100	100	0.07
2003.00-T0A08R1	100/500/1000	2.5/1/0.5	120	120	0.13
2004.00-T0A08R1	100/500/1000	4/1.5/0.75	140	140	0.17
2005.00-T0A08R1	100/500/1000	5/2/1	240	240	0.19
2006.00-T0A10R1	100/500/1000	8/3/1.5	550	550	0.24
2007.00-T0A12R1	100/500/1000	10/4/2	550	550	0.40
2008.00-T0A12R1	100/500/1000	12/5/2.5	600	600	0.59
2009.00-T0A12R1	100/500/1000	14/6/3	750	750	0.80

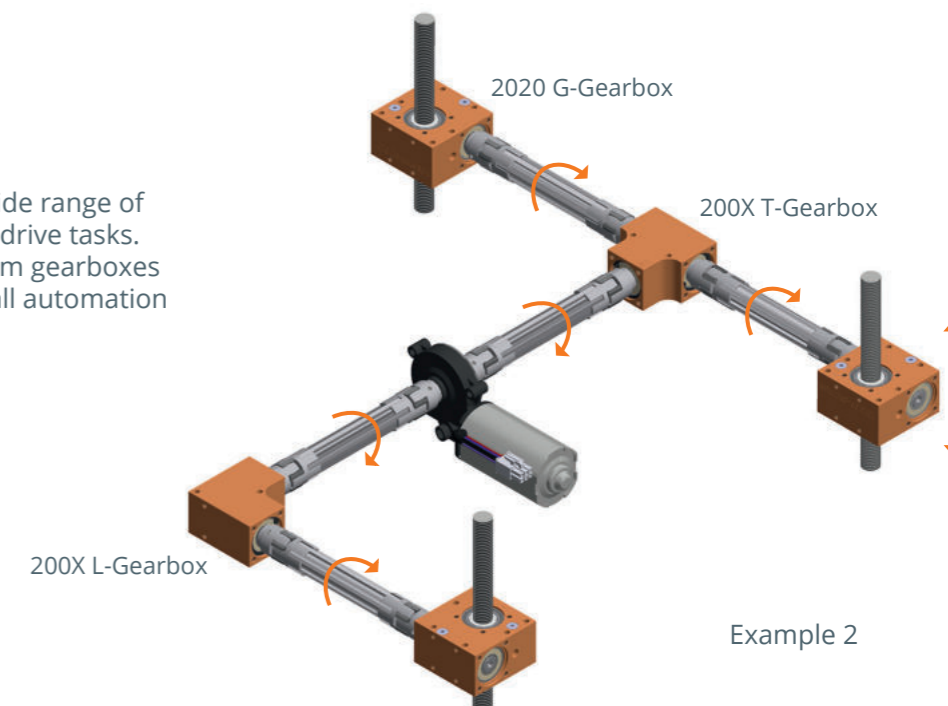
* The values of F_R apply only when F_A = 0 N
The values of F_A apply only when F_R = 0 N

Application example

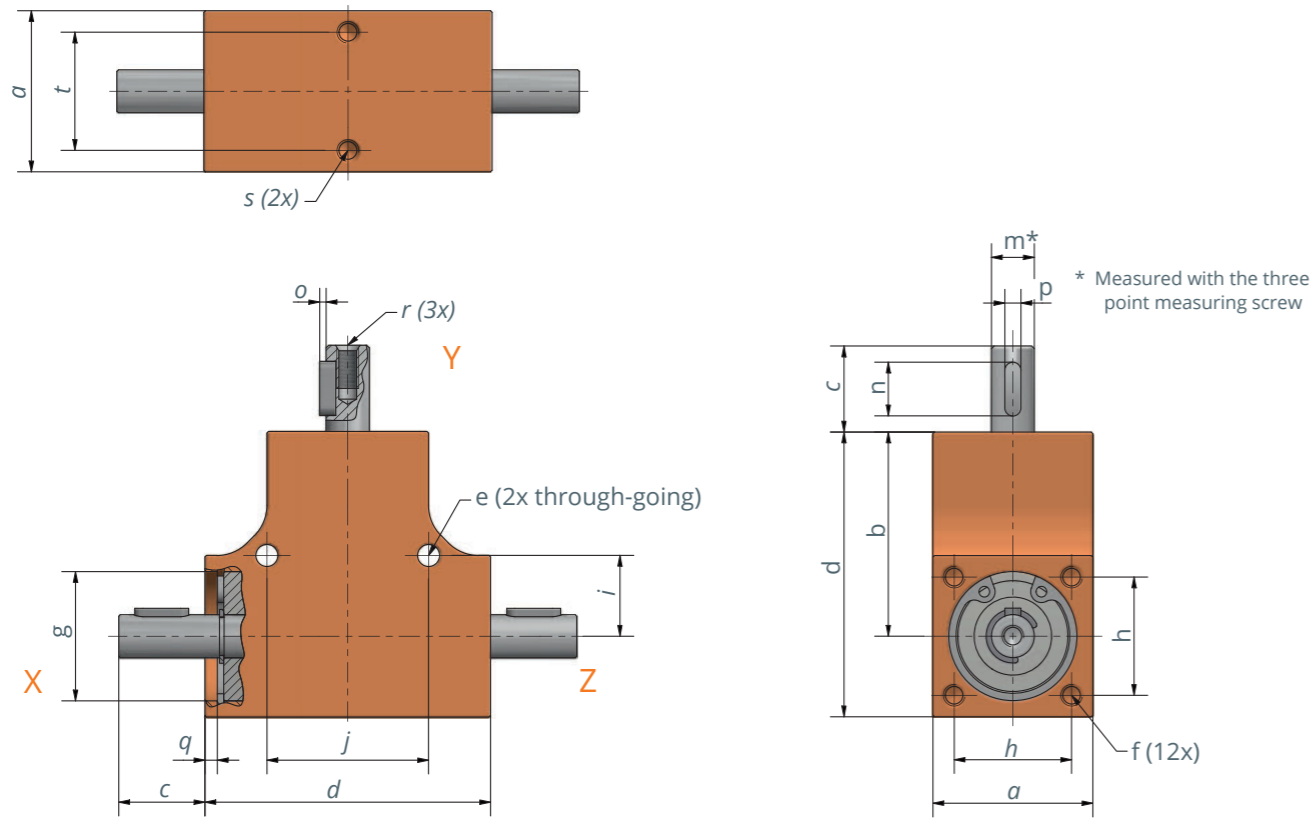


In our Ket-Bee family, we offer gearboxes for a simple 90° deflection (200x L-gearbox) as well as for a splitting of the power transmission to two drives (200x T-gearbox).

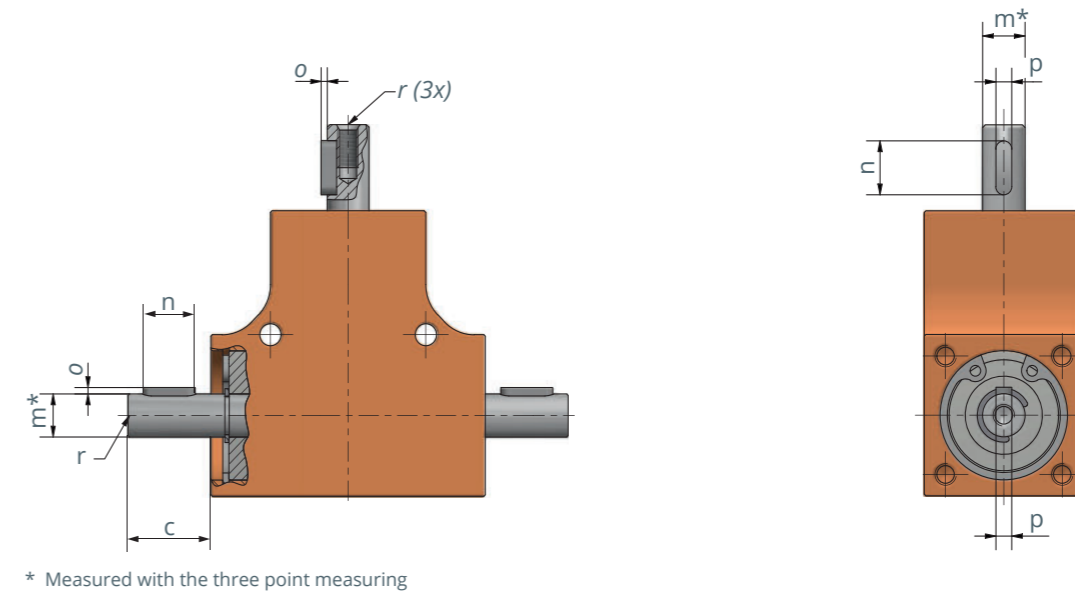
Our standard components offer a wide range of options for efficiently implementing drive tasks. Thanks to numerous variants of worm gearboxes from the Ket-Motion series, almost all automation tasks can be mastered with ease.



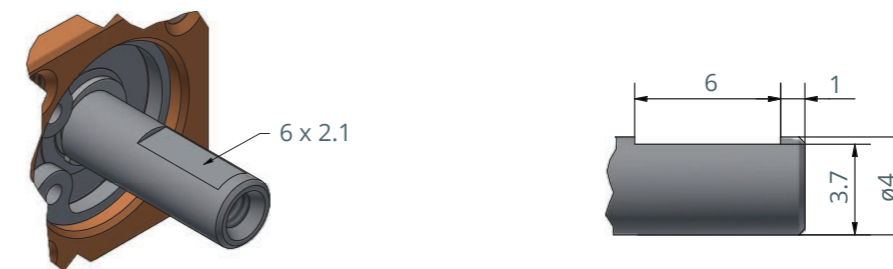
Dimensioning general



Dimensioning shaft



Dimensioning of the shaft of gearbox type 2000.00-T0A04R1



Gearbox-type	Dimensions in mm											
	a	b	d	e	f	g	h	i	j	q	s	t
2000	15	18.5	26	ø2.6	M2.5x4	ø11	11	8	16	1.1	M2.5x4	11
2001	18	23	32	ø3.1	M3x4	ø13	13	8.5	17	3.1	M3x4	13
2002	20	25	35	ø3.1	M3x6	ø16	15	10	20	2.25	M3x6	15
2003	24	30	42	ø4.1	M4x6	ø19	18	12	24	2	M4x6	18
2004	26	33	46	ø4.1	M4x8	ø22	20	14	26	2	M4x8	20
2005	30	38	53	ø4.1	M4x8	ø24	22	15	30	2.3	M4x8	22
2006	32	40	56	ø4.1	M4x10	ø28	24	17	34	2.8	M4x8	24
2007	35	42.5	60	ø4.1	M4x10	ø30	26	17.5	35	3.2	M4x8	26
2008	40	48	68	ø5.1	M5x10	ø32	30	20	40	3.5	M5x10	30
2009	45	54.5	77	ø5.1	M5x10	ø37	35	22.5	45	5	M5x10	35

Gearbox-type	ø Shaft	Shaft-length	Dimension featherkey			Threaded hole inside	Item- Nr.
	m*		c	n	o	p	
2000	ø4j5	10	-	-	-	M2.5x5	2000.00-T0A04R1
2001	ø6j6	12	8	0.8	2	M3x8	2001.00-T0A06R1
2002	ø6j6	12	8	0.8	2	M3x6	2002.00-T0A06R1
	ø8j6	12	8	0.8	2	M3x8	2002.00-T0A08R1
2003	ø8j6	16	10	1.2	3	M4x8	2003.00-T0A08R1
	ø10j6	16	12	1.5	4	M4x8	2003.00-T0A10R1
2004	ø8j6	16	10	1.2	3	M4x8	2004.00-T0A08R1
	ø12j6	16	12	1.5	4	M5x8	2004.00-T0A12R1
2005	ø8j6	16	10	1.2	3	M4x8	2005.00-T0A08R1
	ø12j6	16	12	1.5	4	M5x8	2005.00-T0A12R1
2006	ø10j6	16	10	1.2	3	M4x8	2006.00-T0A10R1
	ø12j6	16	12	1.5	4	M5x8	2006.00-T0A12R1
2007	ø12j6	16	12	1.5	4	M5x8	2007.00-T0A12R1
2008	ø12j6	16	12	1.5	4	M5x8	2008.00-T0A12R1
2009	ø12j6	16	12	1.5	4	M5x8	2009.00-T0A12R1

Deflection gearbox 3014

Description

Bevel gearbox family for use as a deflection gearbox in up to three directions.
 Deflection of rotational movement possible at angles of 90°, 120°, 135°.
 Upon request the number of drive wheels can be varied.
 Simple screw mounting on the adaptor facilitates uncomplicated assembly.



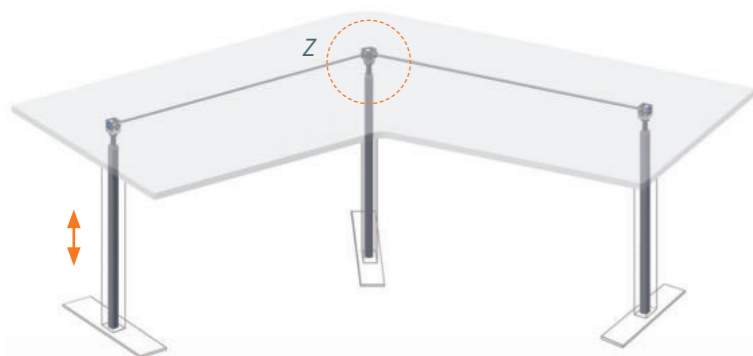
Special features

- Maintenance-free
- Case hardened steel bevel wheels
- Housing made of reinforced glass-fibre or aluminium at an angle of 90°/120°/135°
- Downward ratio 1.3:1, ratio in direction of deflection 1:1
- Designed for the manual operation

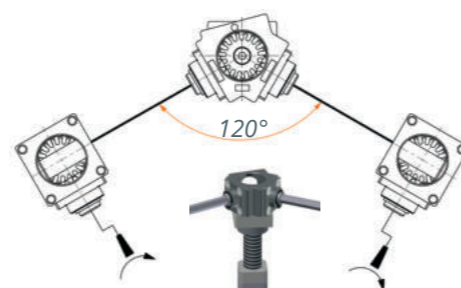
Technical data

Model	3014.00-0069	3014.00-0070	3014.00-0071	3014.00-0082
Ratio in direction of deflection	1:1	1:1	1:1	1:1
90° downward ratio	1.3:1	1.3:1	1.3:1	1.3:1
Input/Output	hex 6 mm	hex 6 mm	hex 6 mm	hex 6 mm
Number of bevel wheels	4	4	3	3
Max. drive torque	3 Nm	3 Nm	3 Nm	3 Nm
Housing/angle	3 x 120°	2 x 135°	120°	135°
Material	Aluminium	Aluminium	Plastic	Plastic

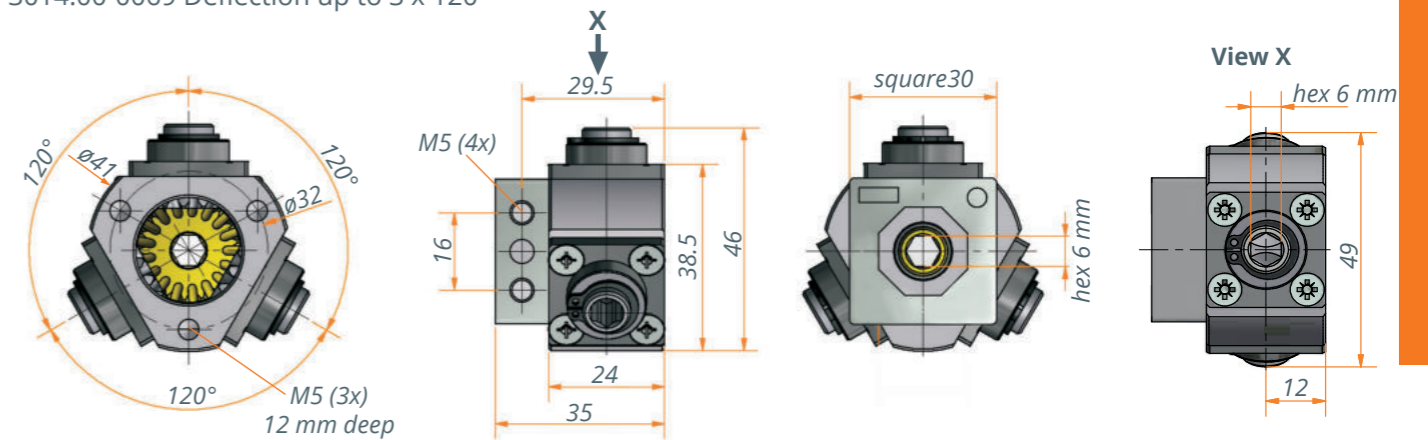
Application example



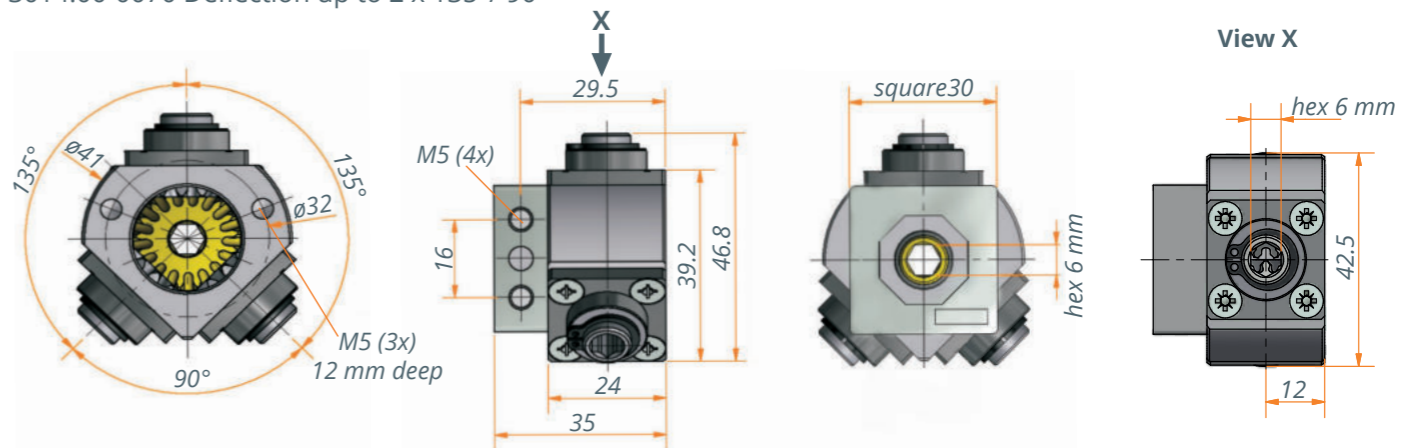
View Z



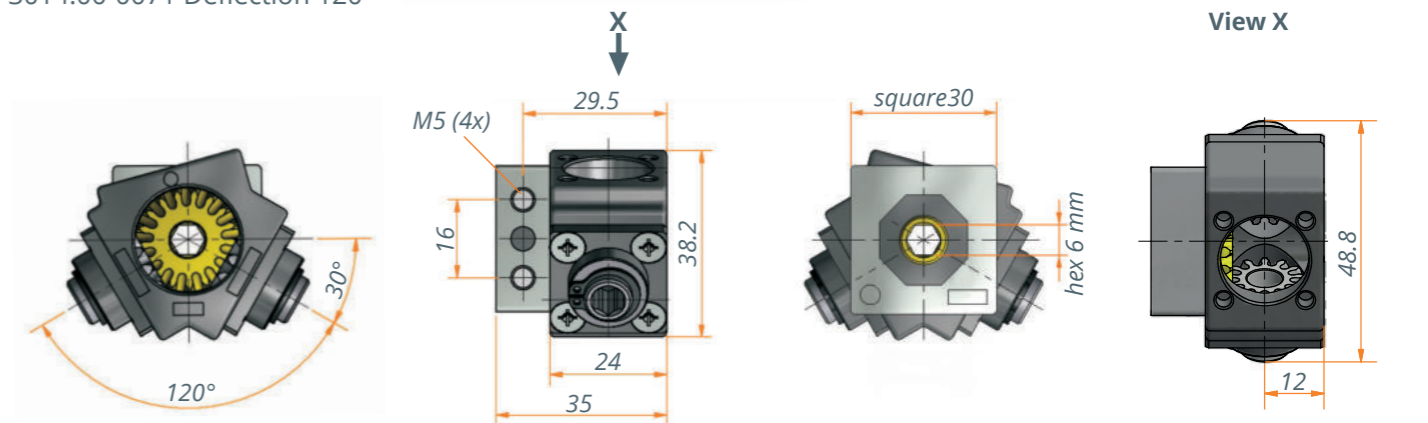
3014.00-0069 Deflection up to 3 x 120°



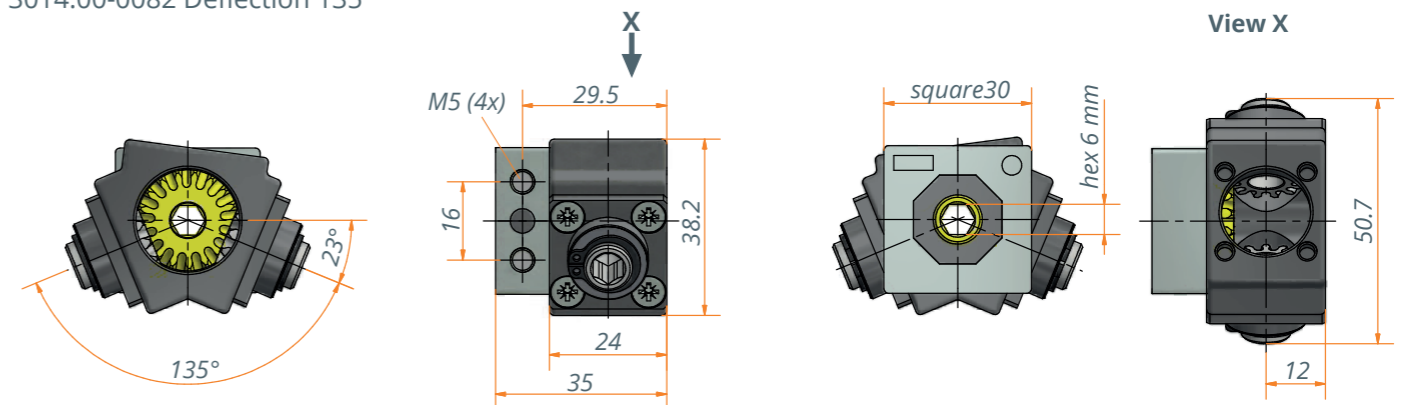
3014.00-0070 Deflection up to 2 x 135°/ 90°



3014.00-0071 Deflection 120°



3014.00-0082 Deflection 135°



Deflection gearbox 3039

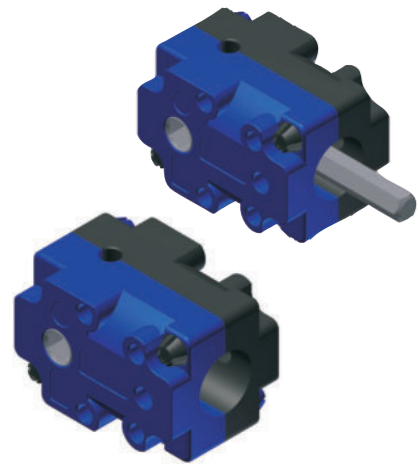
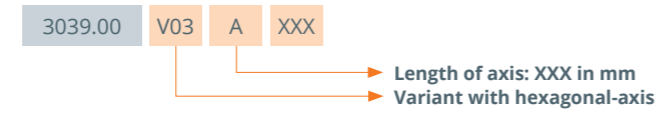
Description

Bevel gearbox for the deflection of a rotary movement at an angle of 90°
 The gearbox can be supplied both with a hexagonal axle with a specific length or without an axle.
 Simple mounting is made possible by a flexible screw fixing.

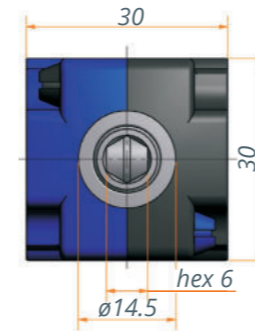
Special features

- Maintenance-free
- Case-hardened steel bevel wheels
- Synthetic gear housing
- Ratio 1:1
- Suitable for both manual and electric motor drives

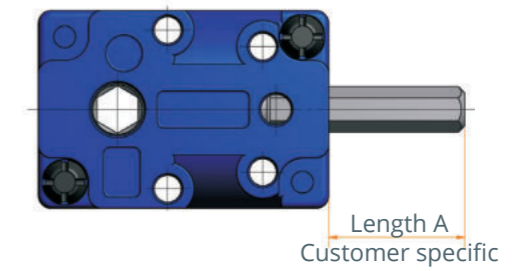
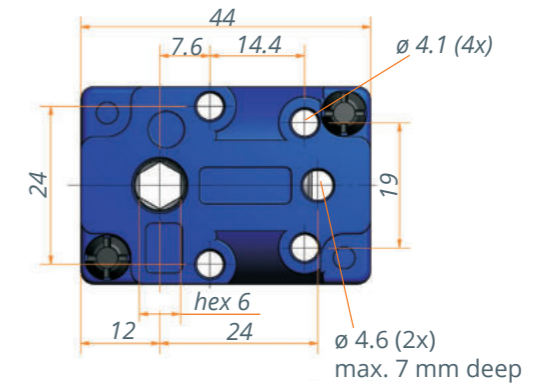
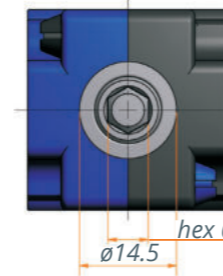
Variant key



3039.00-0001



3039.00-V03AXXX



Technical data

Model	3039.00-0002	3039.00-V03AXXX
Ratio	1:1	1:1
Input/Output	hex 6 mm	hex 6 mm
Number of bevel wheels	2	2
Max. drive torque	4 Nm	4 Nm
Length A	-	Customer specific
Housing	Synthetic	Synthetic

Deflection gearbox 3045

Description

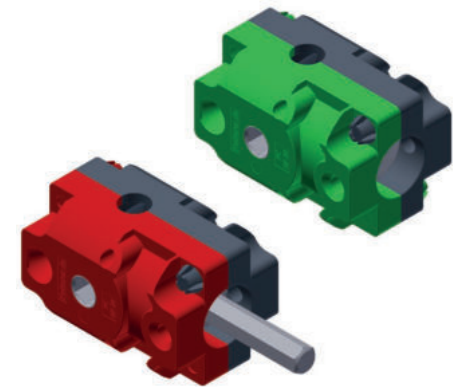
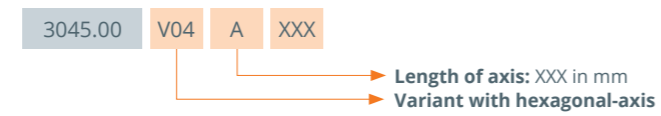
Bevel gearbox for the deflection of a rotary movement at an angle of 90°. The gearbox can be supplied both with a hexagonal axle with a specific length or without an axle.

Simple mounting is made possible by a flexible screw fixing.

Special features

- Maintenance-free
- Case-hardened steel bevel wheels
- Synthetic gear housing
- Ratio 1 : 1 (red-black) and 2 : 1 (green-black)
- Suitable for both manual and electric motor drives

Variant key

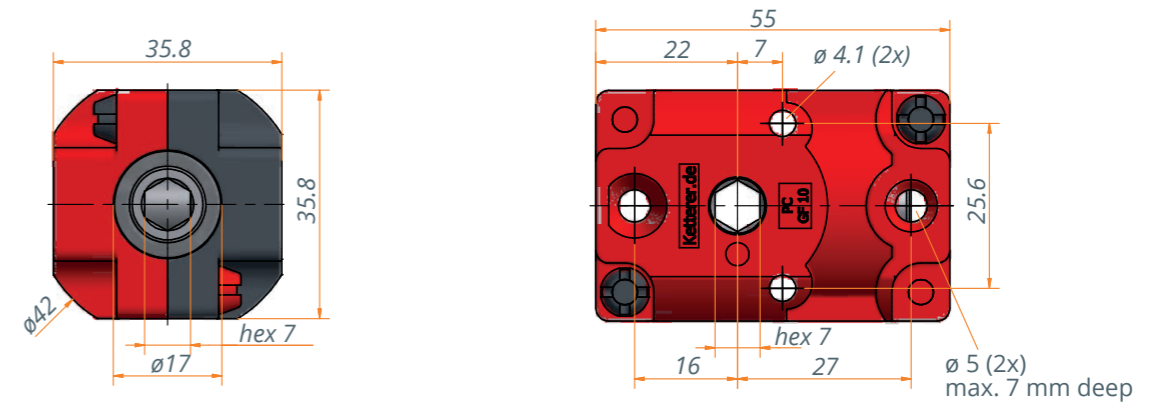


Technical data

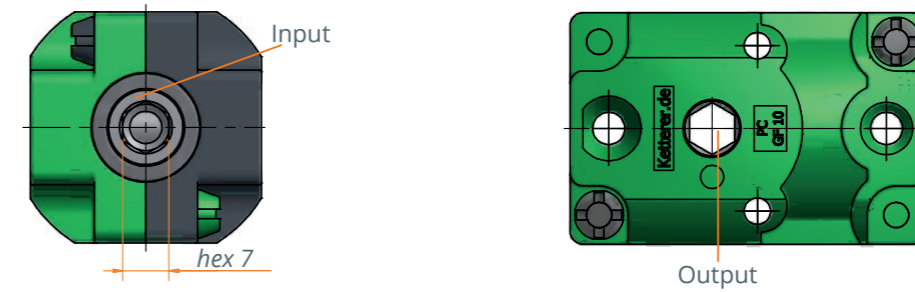
Model	3045.00-3001	3045.00-3002	3045.00-V04AXXX
Ratio	1:1	2:1*	1:1
Input/Output	hex 7 mm	hex 7 mm	hex 7 mm
Number of bevel wheels	2	2	2
Max. drive torque	5,5 Nm	5,5 Nm	5,5 Nm
Length A	-	-	Customer specific
Housing material	Synthetic	Synthetic	Synthetic

* Input to output

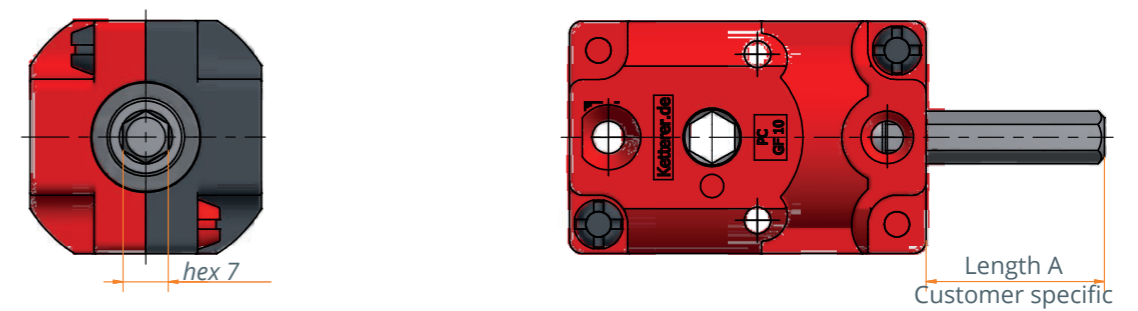
3045.00-3001 - Ratio 1:1



3045.00-3002 - Ratio 2:1 (Input : Output)



3045.00-V04AXXX - Ratio 1:1



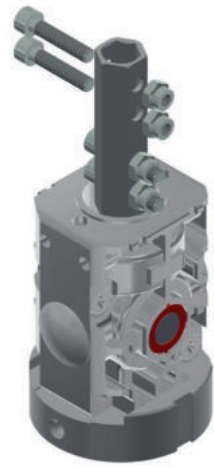
Bevel gearbox 3056

Description

Compact bevel gearbox for the deflection of a rotary movement at an angle of 90°. Ideally suited for the adjustment of large parasols. Special bevel gear toothing ensures smooth running of the gearbox. Drive and output can be modified for custom applications. The gearbox can be combined with any spindle.

Special features

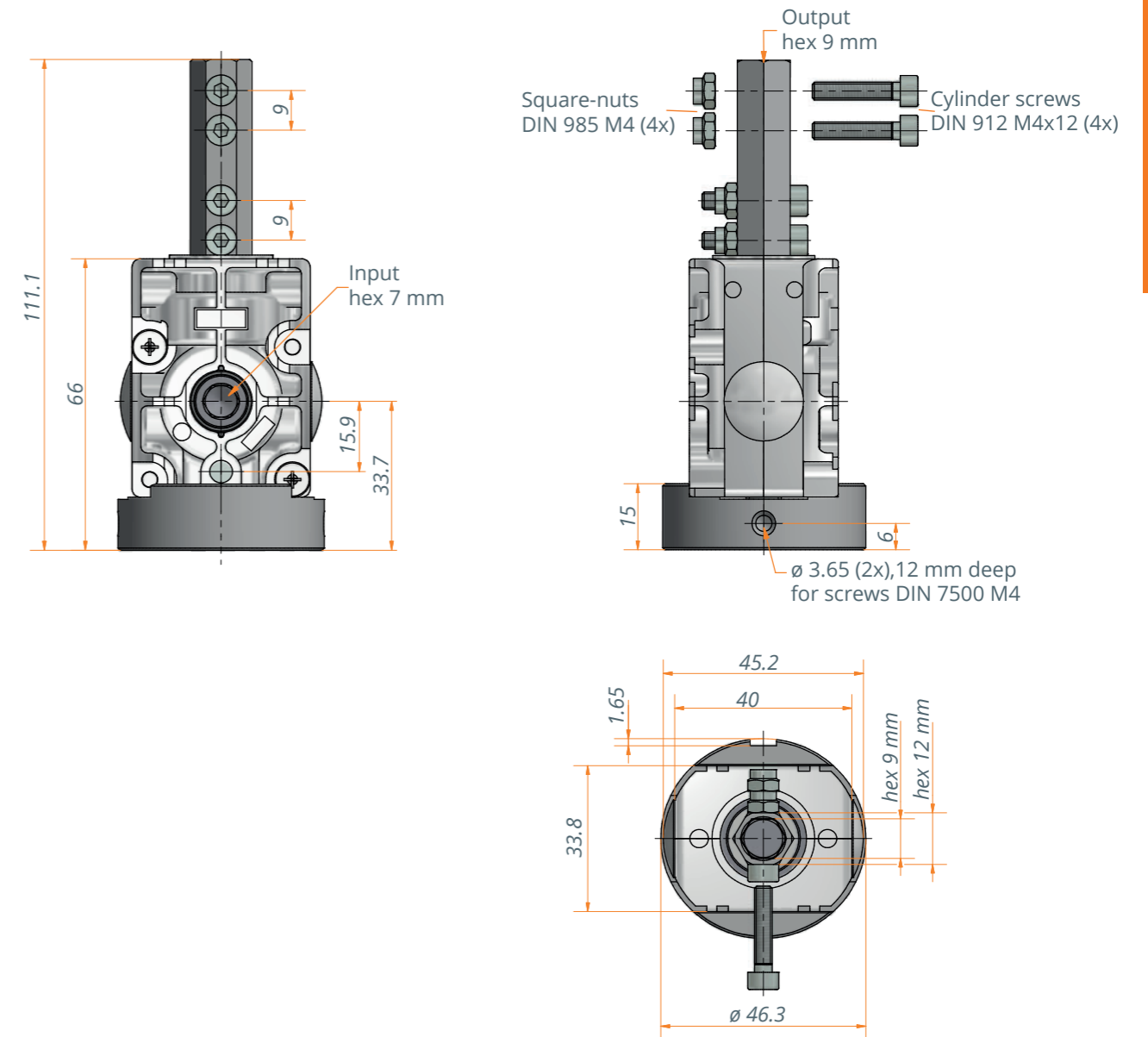
- Maintenance-free
- Case-hardened bevel wheels
- Housing made of zinc die-casting
- Ratio 1:2, on request also 1:1 possible
- Designed for the manual operation



Technical data

Model	3056.00-2000
Ratio	1:2
Input	hex 6 mm
Output	hex 9 mm
Number of bevel wheels	2
Housing material	Zinc die-casting
Max. drive torque	6 Nm
Max. traction load static short term*	8,000 N
Max. pressure load static short term*	5,000 Nm

*Peak load, e.g. caused by gusts of wind



Technical notes

- Attention: Spindle is not in scope of delivery, can be produced to customer requirements
- Depending of the spindle pitch the self-locking of the system must be checked

Application example



Bevel gearbox 3057

Description

Compact bevel gearbox for the deflection of a rotary movement at an angle of 90°. Ideally suited for the adjustment of large parasols. Special bevel gear toothing ensures smooth running of the gearbox. Drive and output can be modified for custom applications. The gearbox can be combined with any spindle.

Special features

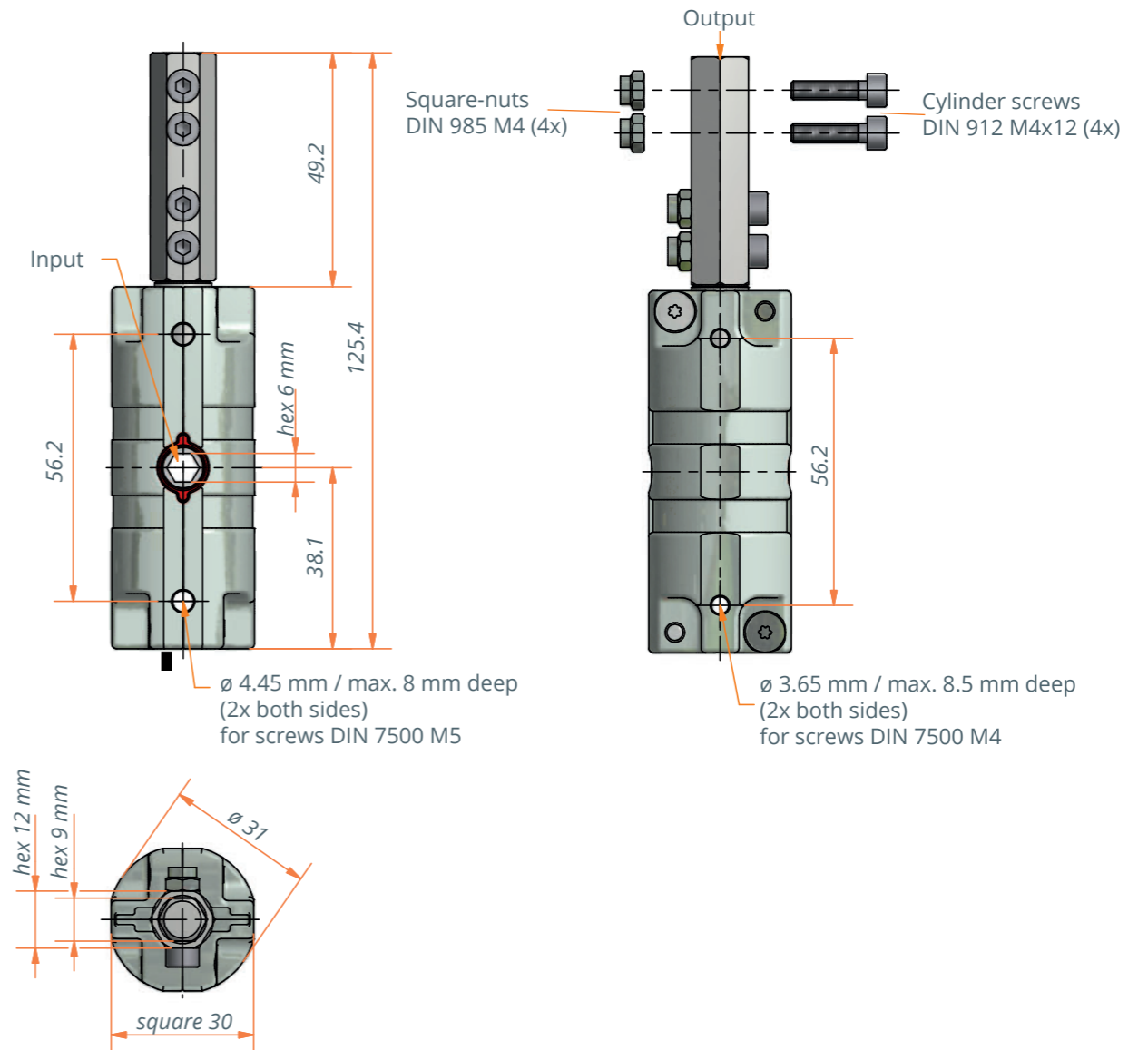
- Maintenance-free
- Case-hardened bevel wheels
- Housing made of zinc die-casting
- Ratio 1 : 2
- Designed for the manual operation



Technical data

Model	3057.00-0010
Ratio	1:2
Input	hex 6 mm
Output	hex 6 mm
Number of bevel wheels	2
Housing material	Zinc die-casting
Max. drive torque	2,5 Nm
Max. traction load static short term*	8,000 N
Max. pressure load static short term*	5,000 Nm

* Peak load, e.g. caused by gusts of wind



Technical notes

- Attention: Spindle is not in scope of delivery, can be produced to customer requirements
- Depending of the spindle pitch the self-locking of the system must be checked

Application example



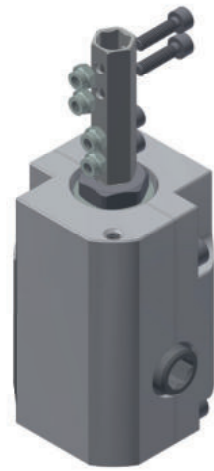
Bevel gearbox 3058

Description

Compact bevel gearbox for the deflection of a rotary movement at an angle of 90°. Ideally suited for the adjustment of large parasols. Special bevel gear toothing ensures smooth running of the gearbox. Drive and output can be modified for custom applications. The gearbox can be combined with any spindle.

Special features

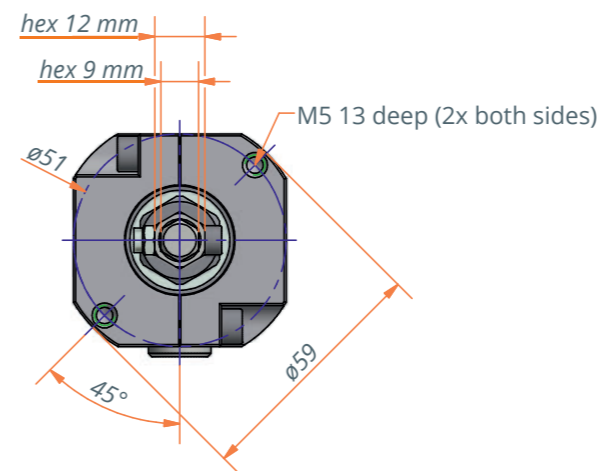
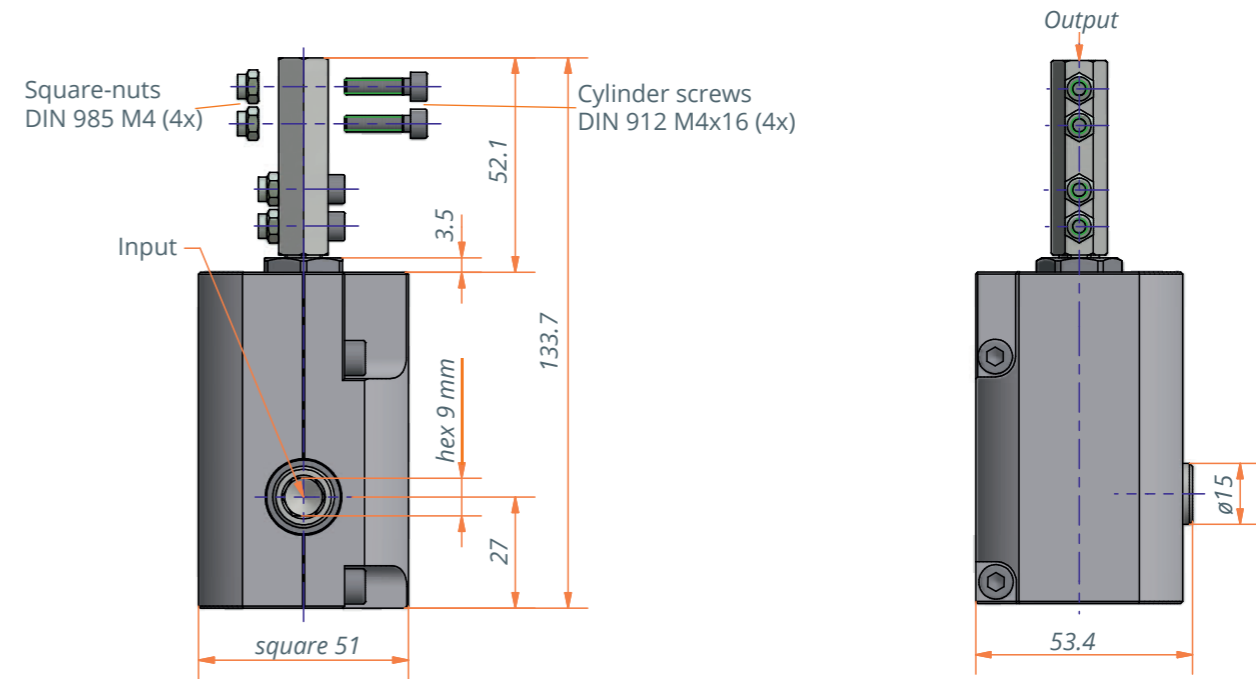
- Optimized corrosion properties
- Maintenance-free
- Case-hardened bevel wheels with optimized corrosion protection
- Housing made of zinc die-casting
- Ratio 1:4
- Designed for the manual operation



Technical data

Model	3058.00-0005
Ratio	1:4
Input	hex 9 mm
Output	hex 9 mm
Number of bevel wheels	2
Housing material	Aluminium
Max. drive torque	10 Nm
Max. traction load static short term*	10,000 N
Max. pressure load static short term*	12,000 N

*Peak load, e.g. caused by gusts of wind



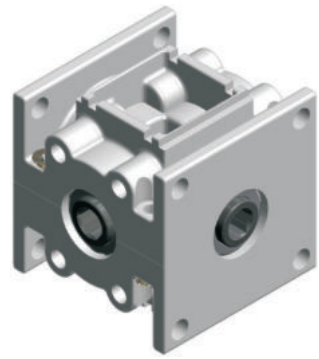
Technical notes

- Attention: Spindle is not in scope of delivery, can be produced to customer requirements
- Depending of the spindle pitch the self-locking of the system must be checked

Application example



Bevel gearbox 3869/3870/3871/3872



Description

Bevel gearboxes for the deflection of a rotary movement. Ideal for use as a transfer gearbox or ancillary gearbox for electric motors, e.g. for blinds or actuators in special mechanical engineering. Special bevel gear toothing ensures smooth running of the gearbox.

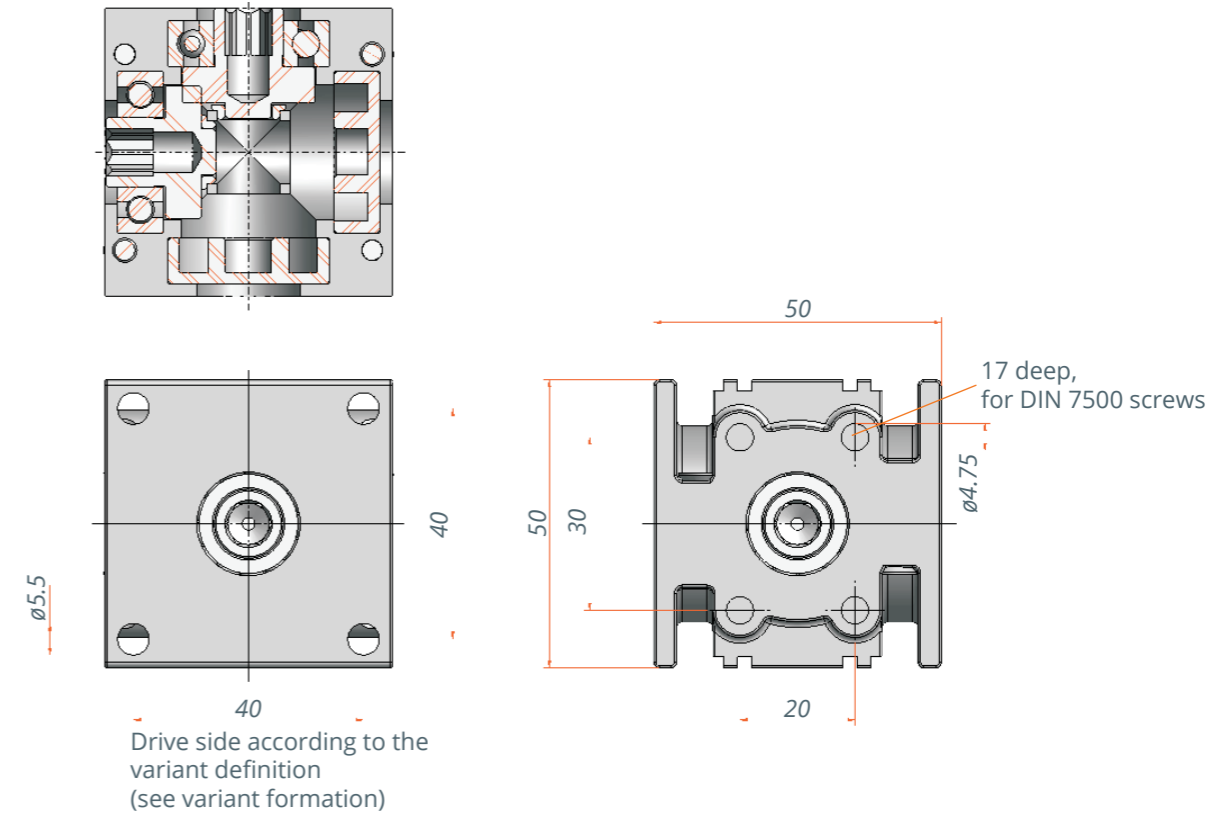
The gearbox can be combined with any spindle. The modular structure of the gearbox allows special customer requests to be met even with small numbers of items.

Special features

- Maintenance-free
- Hardened, bearing seated steel gear cogs
- Housing made of zinc die-casting
- Ratio 1:1
- Up to four inputs are possible
- On require hex 6 mm, blind hole or through hole possible
- Lifetime 20,000 load changes: bei 10 Nm, 110 U/min, with the duty cycle 30 s ON 240 s OFF and at + 25 °C

Variant key

one output 3870.00-1000	input
two opposite outputs 3871.00-1000	input
two outputs 90° 3869.00-1000	input
three outputs 3872.00-1000	input

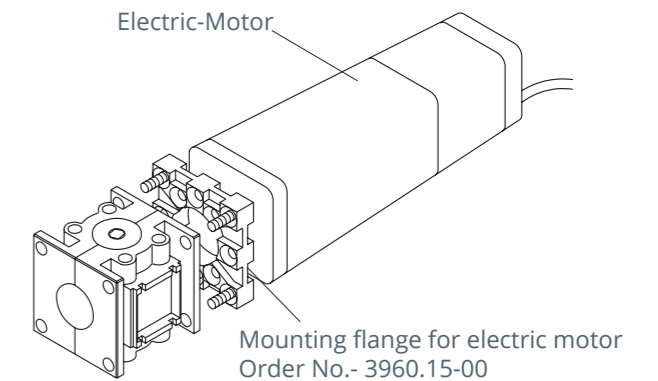


Technical data

Model	3869.00-1000	3870.00-1000	3871.00-1000	3872.00-1000
Ratio	1:1	1:1	1:1	1:1
Input	hex 7 mm	hex 7 mm	hex 7 mm	hex 7 mm
Output	hex 7 mm	hex 7 mm	hex 7 mm	hex 7 mm
Number of bevel gears	3	2	3	4
Max. drive torque	10 Nm	10 Nm	10 Nm	10 Nm
Housing material	Zinc die-casting	Zinc die-casting	Zinc die-casting	Zinc die-casting

Technical notes

- The drive side can be selected arbitrarily
- Higher torques are possible at reduced speeds



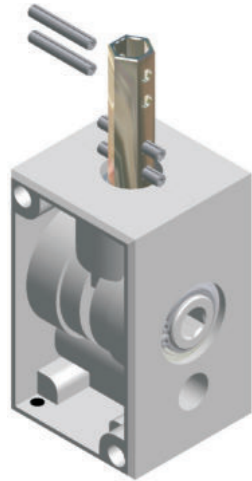
Bevel gearbox 3874

Description

Compact bevel gearbox for the deflection of a rotary movement at an angle of 90°. Ideally suited for the adjustment of large parasols. Special bevel gear toothing ensures smooth running of the gearbox. Drive and output can be modified for custom applications. The gearbox can be combined with any spindle

Special features

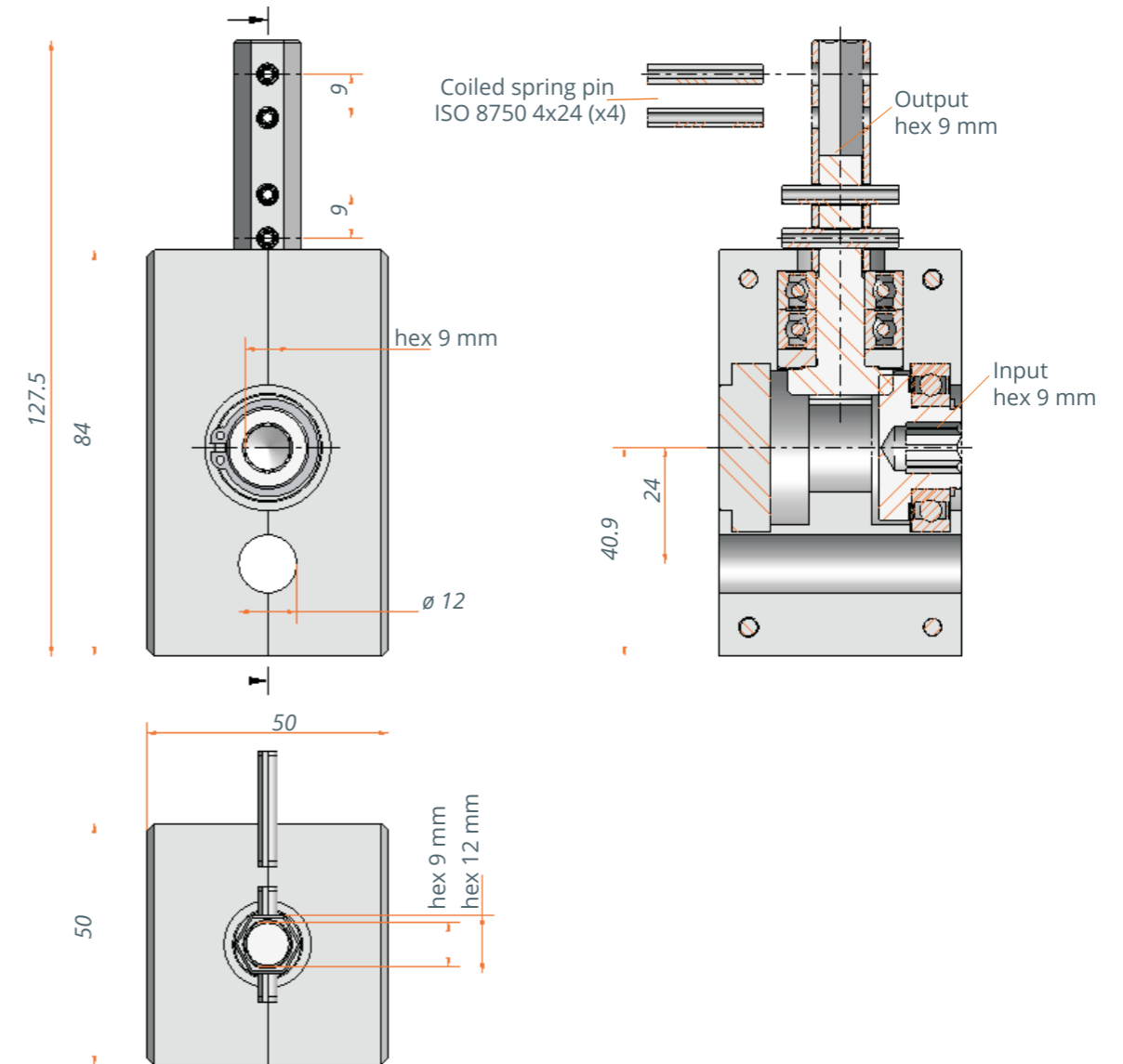
- Maintenance-free
- Case-hardened bevel wheels
- Housing made of zinc die-casting
- Construction size 50 x 50 x 84 mm
- Ratio 1:1.5
- Max. output torque 4 Nm
- Designed for the manual operation



Technical data

Model	3874
Ratio	1:1.5
Input	hex 9 mm
Output	hex 9 mm
Number of bevel wheels	2
Housing material	Zinc die-casting
Max. drive torque	4 Nm
Max. tensile load static short term*	7,000 N
Max. pressure load static short term*	9,000 N

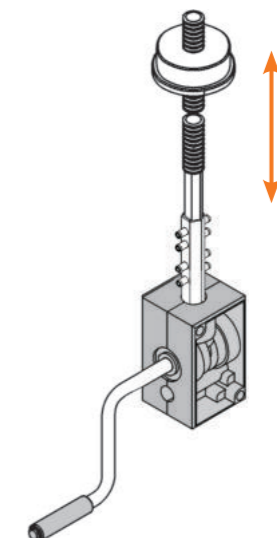
*Peak load, e.g. caused by gusts of wind



Technical notes

- Attention: Spindle is not in scope of delivery, can be produced to customer requirements
- Depending of the spindle pitch the self-locking of the system must be checked

Application example



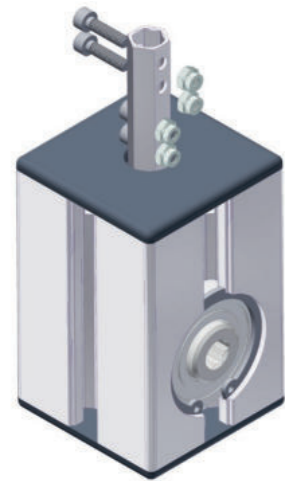
Bevel gearbox 3875

Description

Bevel gearbox for the deflection of a rotary movement at an angle of 90°. Ideally suited for the adjustment of large parasols. Special bevel gear toothing ensures smooth running of the gearbox. Drive and output can be modified for custom applications. The gearbox can be combined with any spindle.

Special features

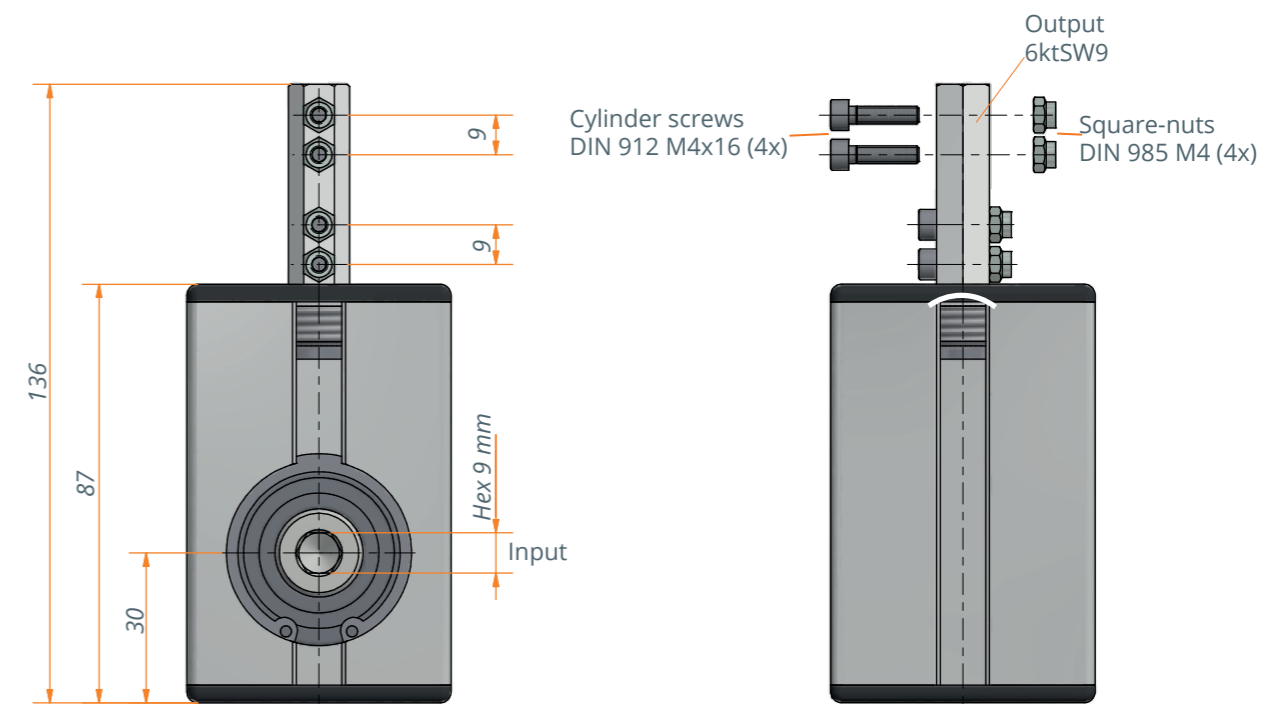
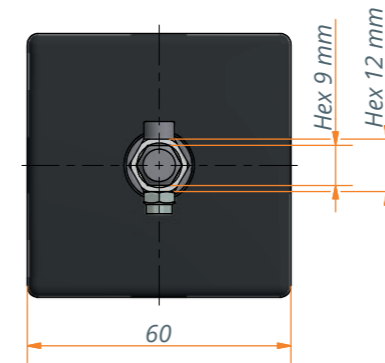
- Maintenance-free
- Case-hardened bevel wheels
- Housing made of aluminium profile
- Construction size 60 x 60 mm
- Ratio 1:1.5
- Max. drive torque 8 Nm
- Designed for the manual operation



Technical data

Model	3875
Ratio	1:1.5
Input	Hex 9 mm
Output	Hex 9 mm
Number of cog wheels	2
Housing material	Aluminium profil
Max. drive torque	8 Nm
Max. tensile load static short term*	7,500 N
Max. pressure load static short term*	9,000 N

* Peak load, e.g. caused by gusts of wind



Technical notes

- Depending of the spindle pitch the self-locking of the system must be checked

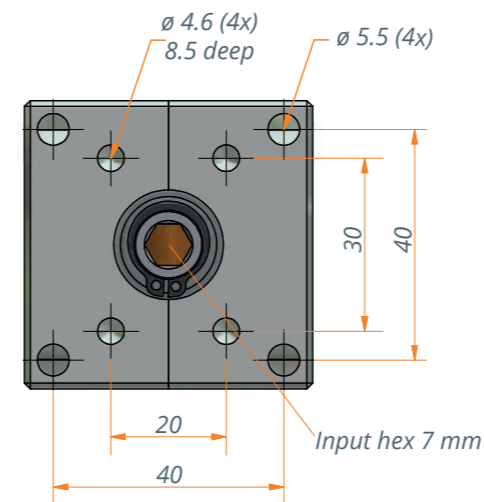
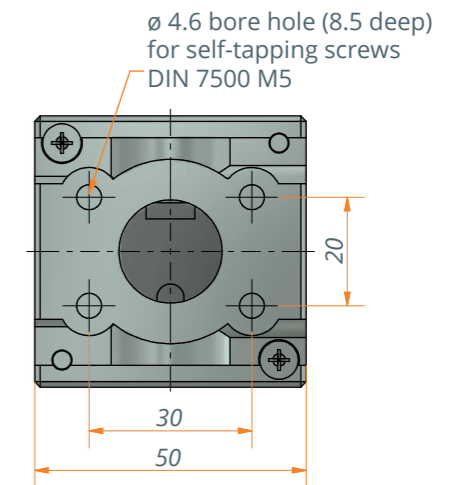
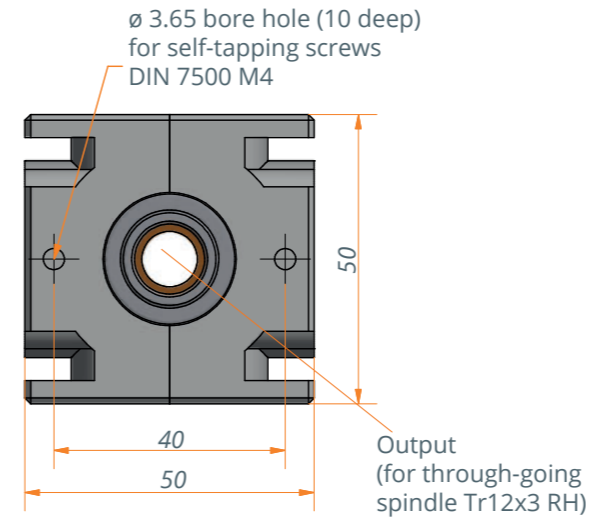
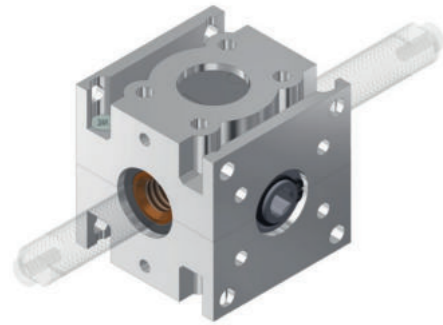
Bevel gearbox with throughgoing spindle 3900/3901

Description

Bevel gearbox for continuous non-rotating spindles, for thrust and pull movements. The gearbox is particularly suitable for use as a lifting system for skylights, winter gardens and greenhouses as well as for special machine engineering. A special bevel gearing ensures quiet operation of the gear. The gearbox can be supplied with different thread types. Spindles can be custom manufactured to customer specifications.

Special features

- Maintenance-free
- Case-hardened bevel wheels
- Housing made of zinc die-casting
- Ratio 1,44:1 or 1,5:1
- Designed for electromotive drive, but also ideal for manual drive



Technical data

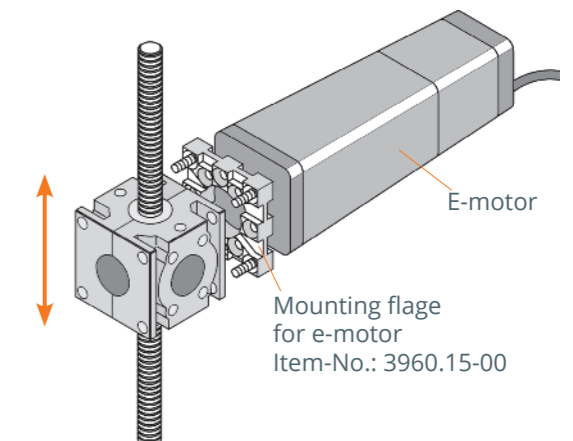
Model	3900	3901
Ratio	1.44:1	1.5:1
Input	hex 7 mm	hex 7 mm
Type of thread*	Tr12x3 RH	Tr12x3 RH
Max. lifting force	800 N	800 N

* Spindle has to be ordered separately

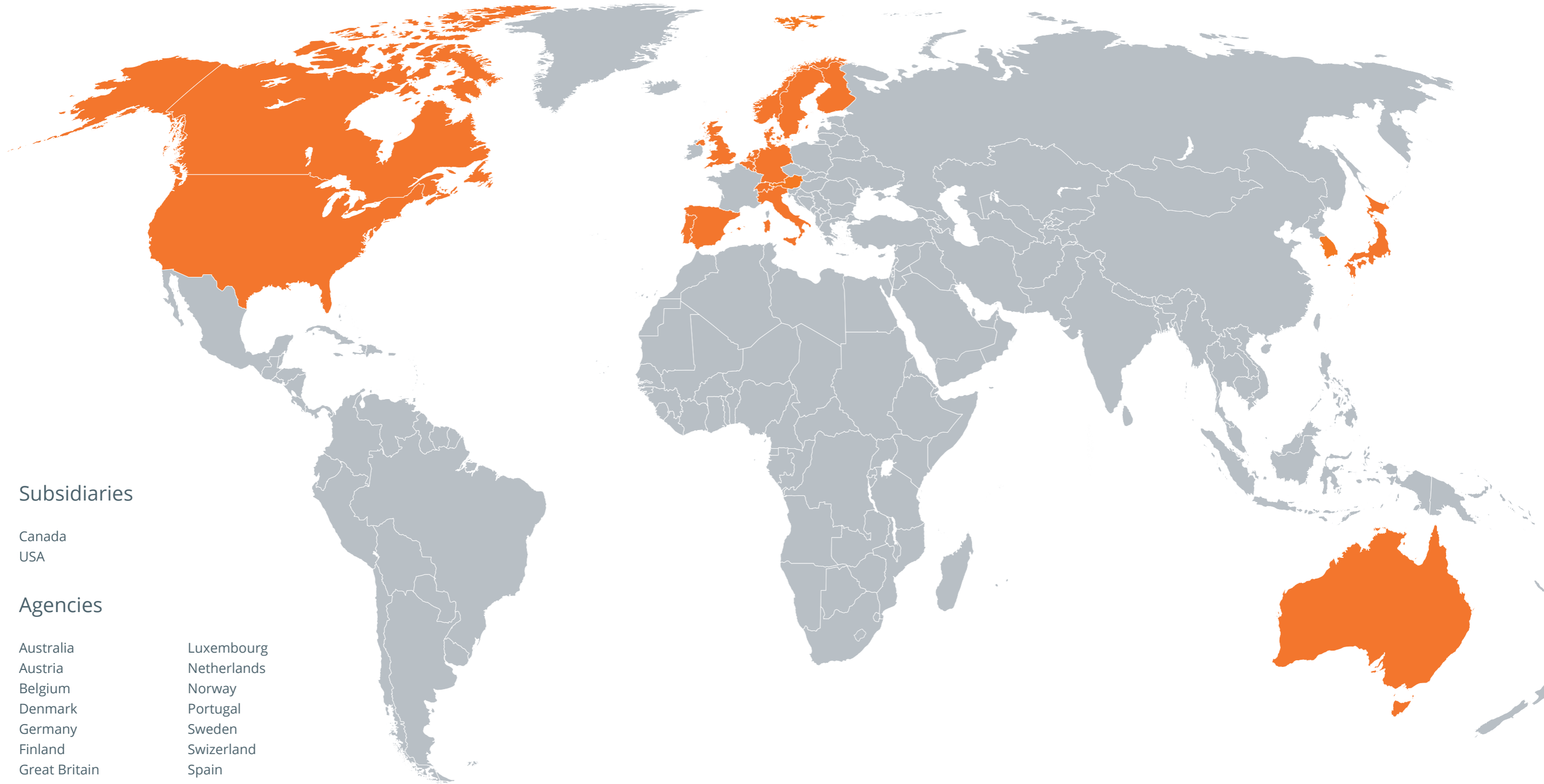
Technical notes

- Attention: Spindle is not in scope of delivery, can be produced to customer requirements
- The drive side can be selected as required
- Depending of the spindle pitch the self-locking of the system must be checked

Application example



USED AROUND THE WORLD



Subsidiaries

Canada
USA

Agencies

Australia
Austria
Belgium
Denmark
Germany
Finland
Great Britain
Italy
Japan
Luxembourg
Netherlands
Norway
Portugal
Sweden
Switzerland
Spain
South Korea

B. Ketterer Söhne GmbH & Co. KG
Bahnhofstrasse 20
78120 Furtwangen
Germany

Phone: +49 7723 6569-10
Mail: info@ketterer.de
Web: www.ketterer-drives.com