

Lifting Systems and Accessories

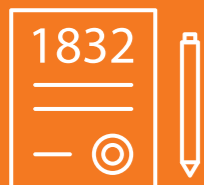


WE GET IDEAS MOVING

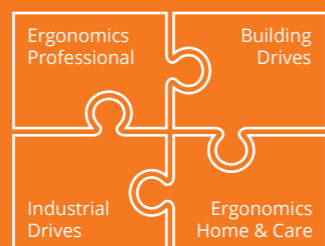
The spirit of innovation and a sense of ideas beyond the familiar has made us into a pioneering company over more than 185 years.

For a quarter of a century, we have been offering customized drive solutions for office and workplace workstations, as well as for shading systems and building technology.

Through our tradition of innovation, we have succeeded in establishing ourselves as a specialist and problem-solver in numerous areas.



Over 185 years' experience



More than 60 standard solutions for four different market segments



100% Made in Black Forest

THE RIGHT PRODUCT FOR EACH APPLICATION

Lifting Systems

- Page 04 3051 Gas spring spindle actuator
- Page 08 3052 Crank lifting system Ket-Twist 500
- Page 12 3053 Crank lifting system Ket-Twist 660
- Page 16 4701 Monitor / TV-Lift Ket-Screen Lift S
- Page 20 4701 Monitor / TV-Lift Ket-Screen Lift L
- Page 24 4701 Monitor / TV-Lift Ket-Spring Lift S

Accessories

- Page 26 3052.09 Brake unit
- Page 28 Crank handles - Crank body steel
- Page 30 5180 Crank-handle
- Page 32 5186 Crank-handle
- Page 34 5187 Crank-handle
- Page 36 5190 Crank-handle
- Page 38 Control box Compact
- Page 40 Hand control and motor cables
- Page 42 Profile tubes - Profile rods

Gas spring spindle actuator 3051

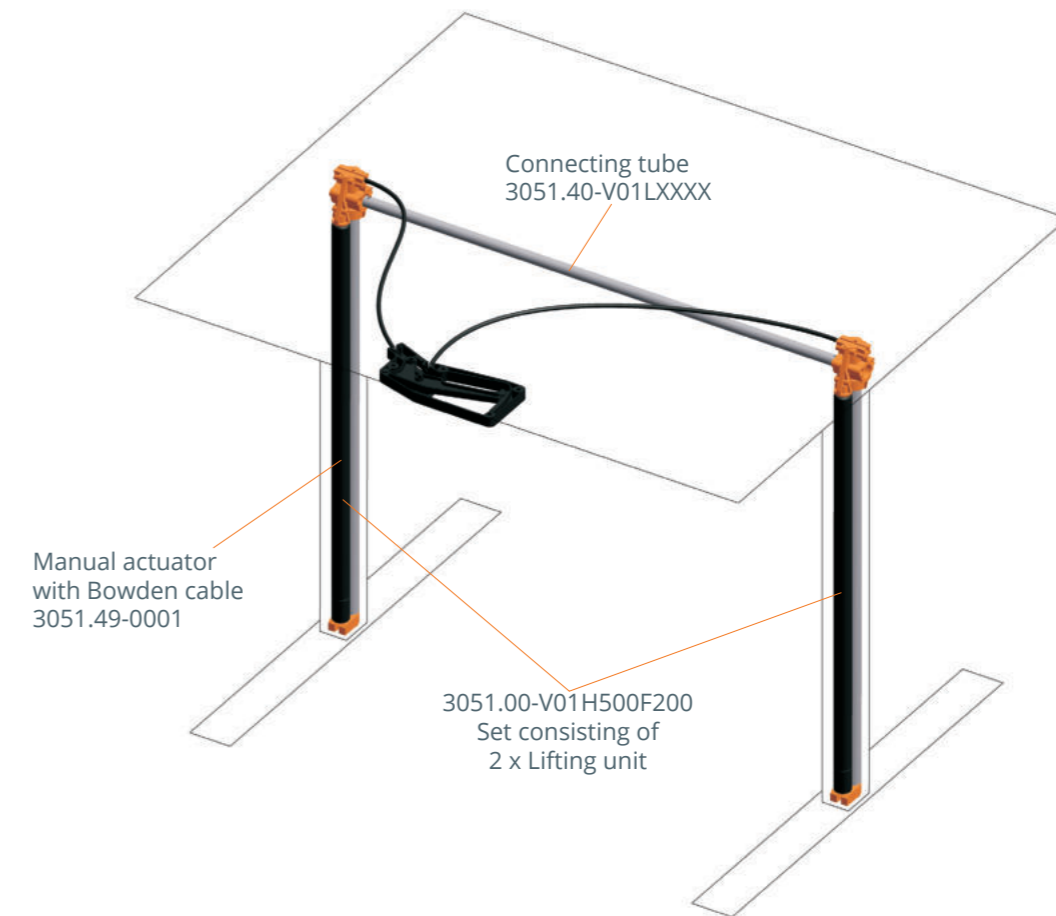
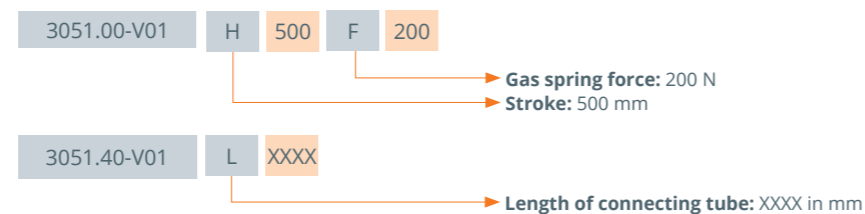
Description

Gas spring supported spindle lift drive with mechanical blocking unit. The manual lift drive for two-leg tables is actuated by a manual release with Bowden cables. The safety actuator prevents the user from actuating the table unintentionally.

Special features

- Rapid height adjustment solely by manual force on the table surface
- Customer specific: Flexible fabrication of connecting tubes
- Quick, easy assembly
- Independence from electrical connections: Free interior design options

Variant key



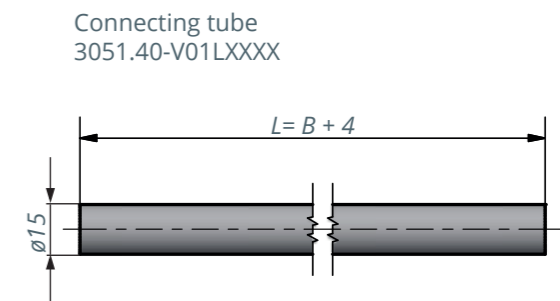
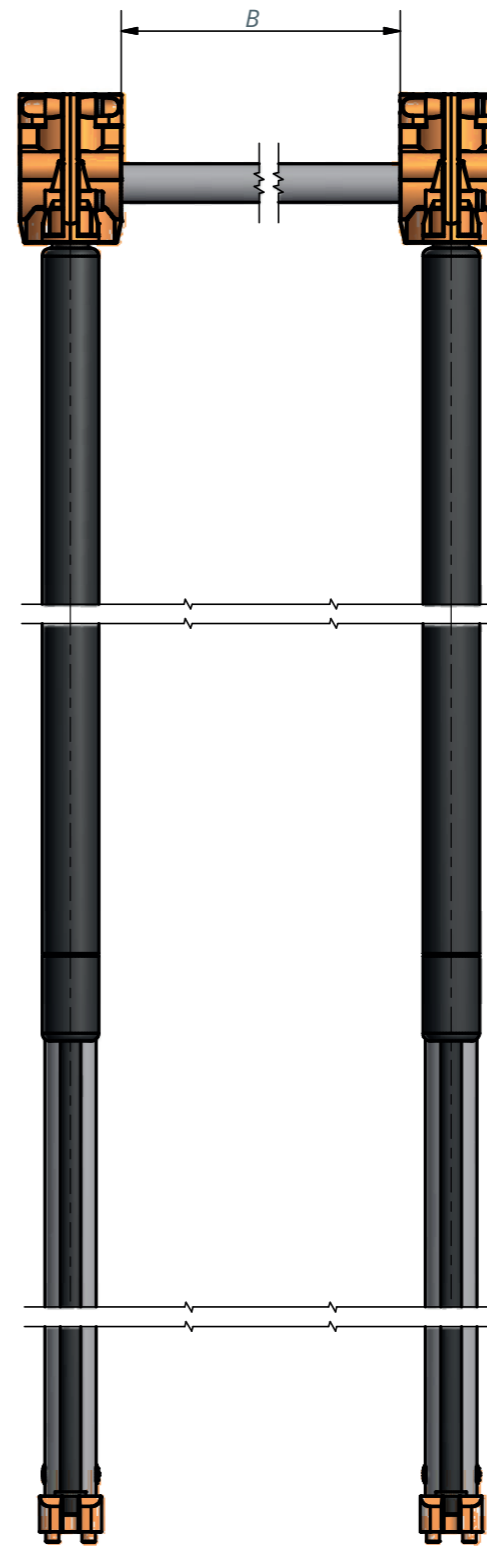
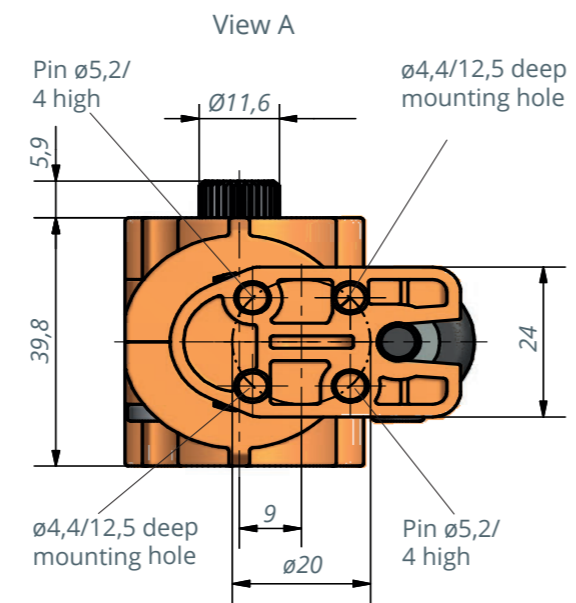
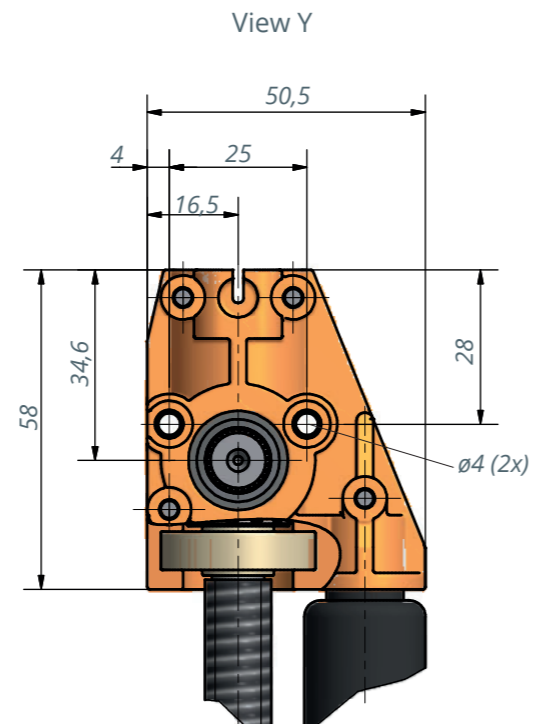
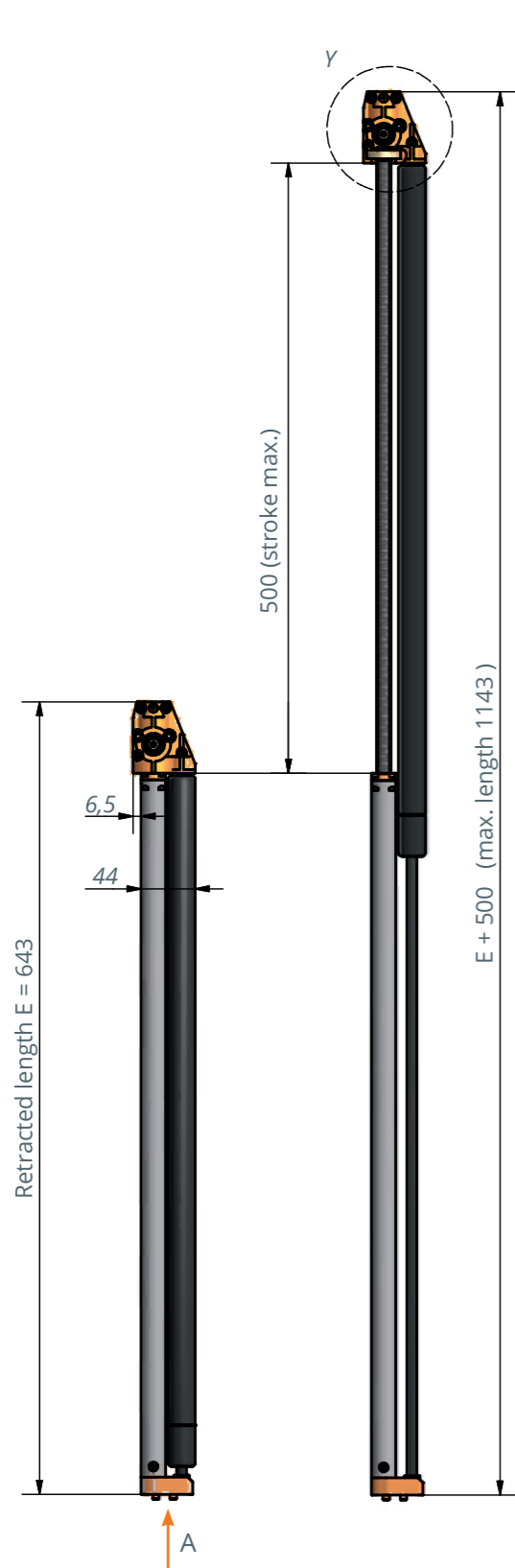
Technical data

Stroke:	500 mm
Retracted length E:	643 mm
Recommended table load:	20 kg
Static self-locking:	120 kg
Ratio:	1:1
Gas spring force:	200 N/ Lifting unit

Gas spring spindle actuator	Set consisting of 2 x Lifting unit	Connecting tube (customer specific)	Manual actuator with Bowden cable
Retracted length*	643 mm	$L = b + 4$	for tables 1200x800 mm to 1600x800 mm
Item number	3051.00-V01H500F200	3051.40-V01LXXXX	3051.49-0001

Technical notes

- Optimum user comfort of the overall system can be only achieved by precise matching of the weight of the plate support, the table top and the guide columns as well as the friction loss of the guide. This coordination is necessary, because the characteristics of different table systems are always individual and must be taken into consideration in the system design.
- The set 3051.00-V01H500F200 contains 2 lifting units (right and left) and the assembly instructions. Further components of the lifting system must be ordered separately.
- Upon request the lifting system can also be custom dimensioned, i.e. other lift and installation lengths are possible.
- **Safety instruction:** The gas spring develops large acceleration forces unless these are counteracted by a corresponding counter-weight designed into the table. The brakes must not be released unless there is an adequate counterweight to slow the movement of the gas spring.



Manual actuator with Bowden cable
3051.49-0001



Crank lifting system Ket-Twist 500 3052



Description

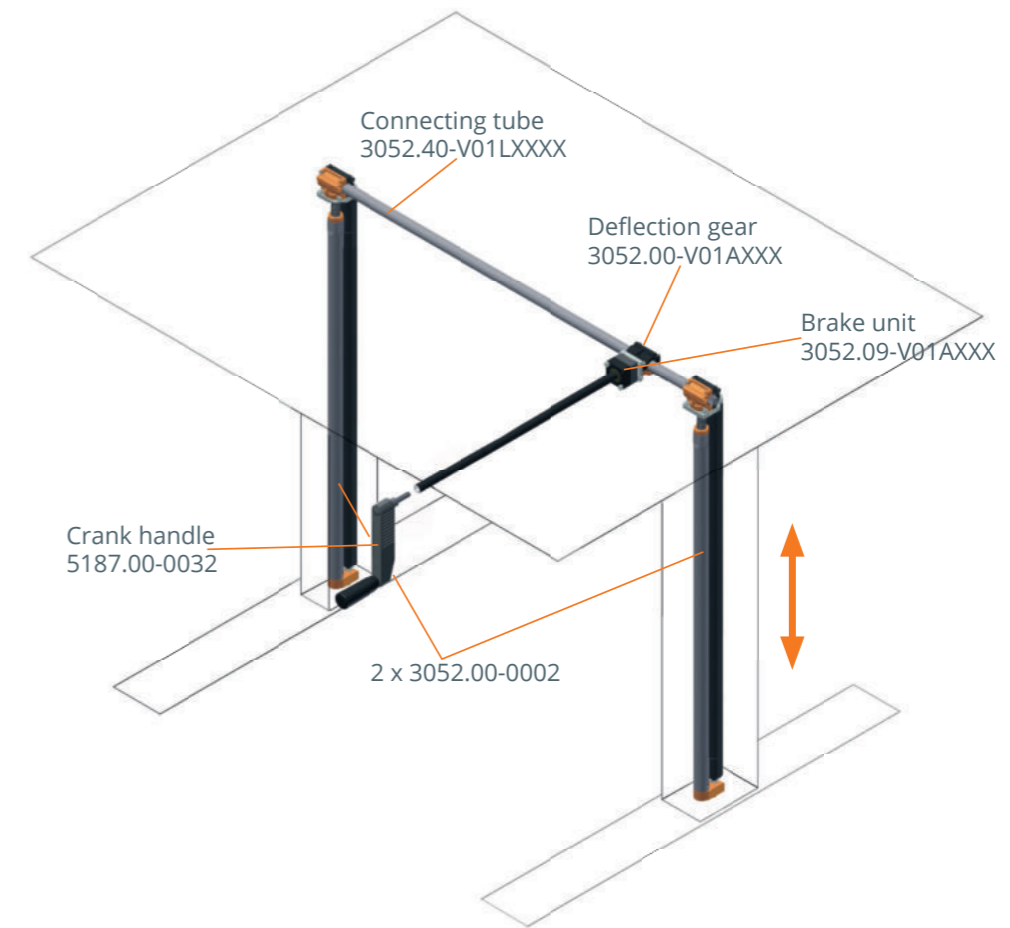
Ket-Twist 500 is a fast crank lifting system for making custom adjustments to the working height of tables. The system allows a maximum stroke of 500 mm with a minimum clearance of only 625 mm. Each turn of the crank lifts the table 30 mm. Ket-Twist 500 is ideal for 2-leg table frames with high efficiency guide tubes and handles smoothly and easily under loads of up to 40 kg.

Special features

- Rapid adjustment:
With 16.7 turns for maximum height change
- Customer specific:
Flexible fabrication of connecting tubes
- Quick, easy assembly
- Independence from electrical connections:
Free interior design options

Variant key

3052.40-V01	L	XXXX	→ Length of connecting tube: XXXX in mm
3052.40-V02	A	XXX	→ Length of axis: XXX in mm



Technical data

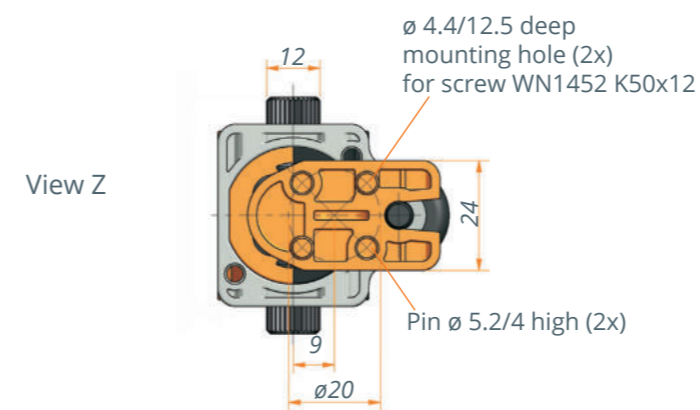
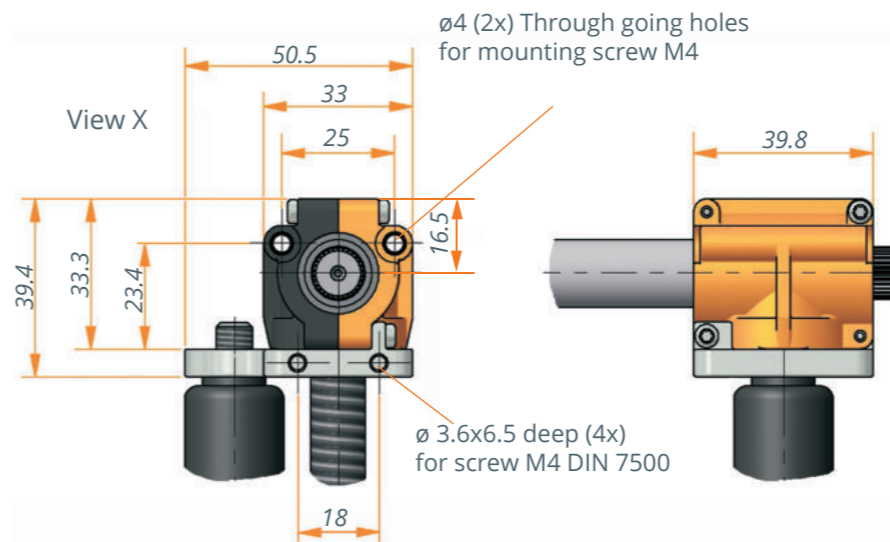
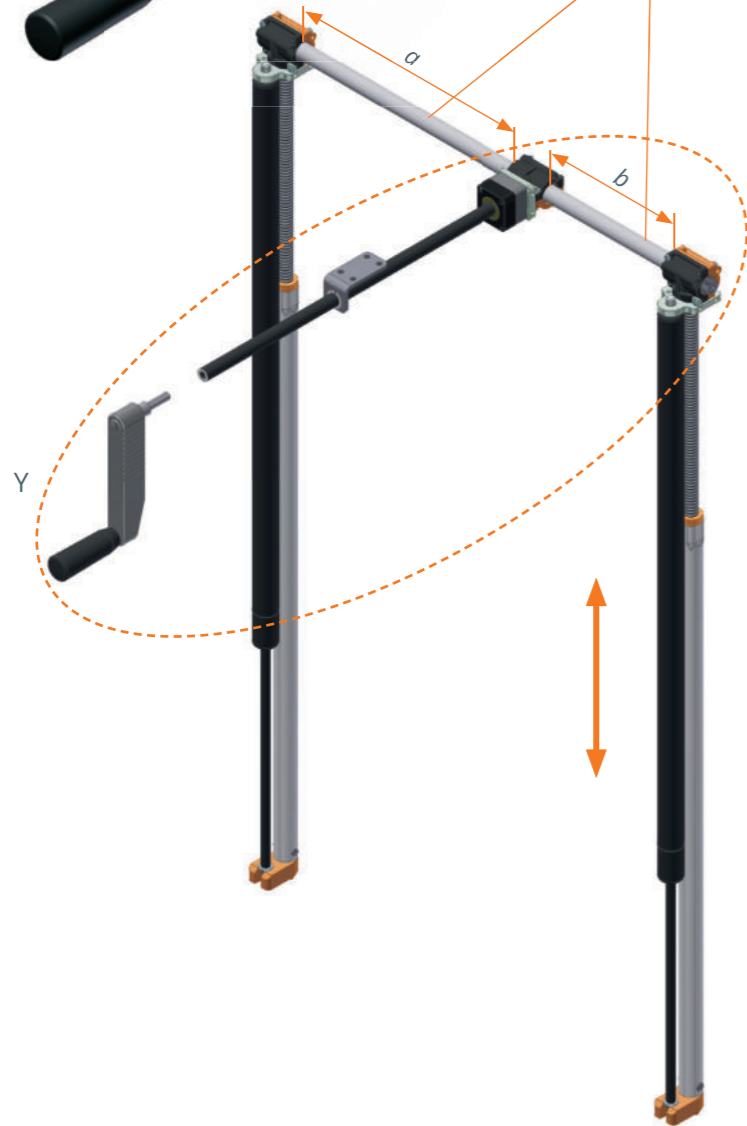
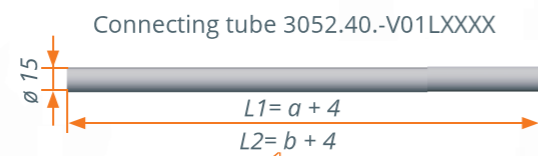
Stroke:	500 mm
Retracted length E:	625 mm
Recommended table load:	0 – 40 kg
Static self-locking:	≤ 120 kg
Adjustment path per revolution:	30 mm
Spindle pitch:	30 mm
Ratio:	1:1
Gas spring force:	200 N/ Lifting unit

Crank lifting system	Lifting unit (right and left identical)	Connecting tube (customer specific)	Defelction gear with brake unit (customer specific)
Retracted length	625 mm	customer specific	customer specific
Item number	3052.00-0002	3052.40-V01LXXXX	3052.00-V02AXXX

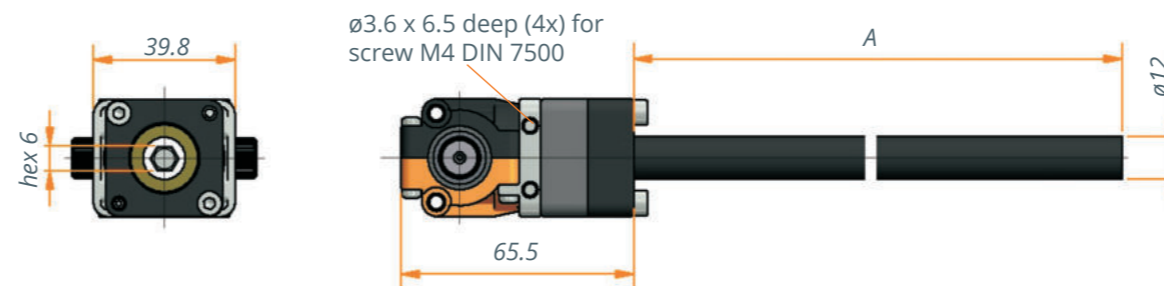
Technical notes

- Optimum user comfort of the overall system can be only achieved by precise matching of the weight of the plate support, the table top and the guide columns as well as the friction loss of the guide. This coordination is necessary, because the characteristics of different table systems are always individual and must be taken into consideration in the system design.
- Lifting system components must be ordered separately.
- Upon request the lifting system can also be custom dimensioned, i.e. other lift and installation lengths are possible.
- Table manufacturer is responsible for integration of the gas spring assembly.
- **Safety instruction:**
Gas springs can develop high acceleration forces. Please handle the assembly and this disassembly with care and diligence.

Plug-in-crank
5187.00-0032

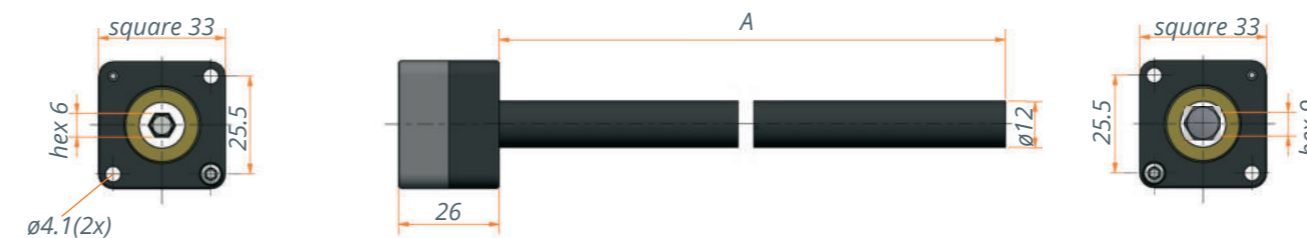


Deflection gear with brake unit 3052.00-V02AXXX

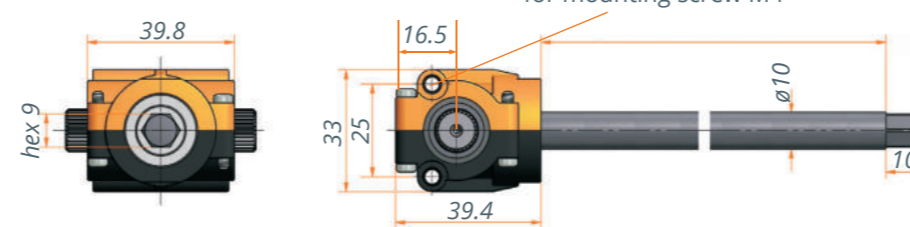


Alternativ: Deflection gear and brake unit 3052.00-V02AXXX

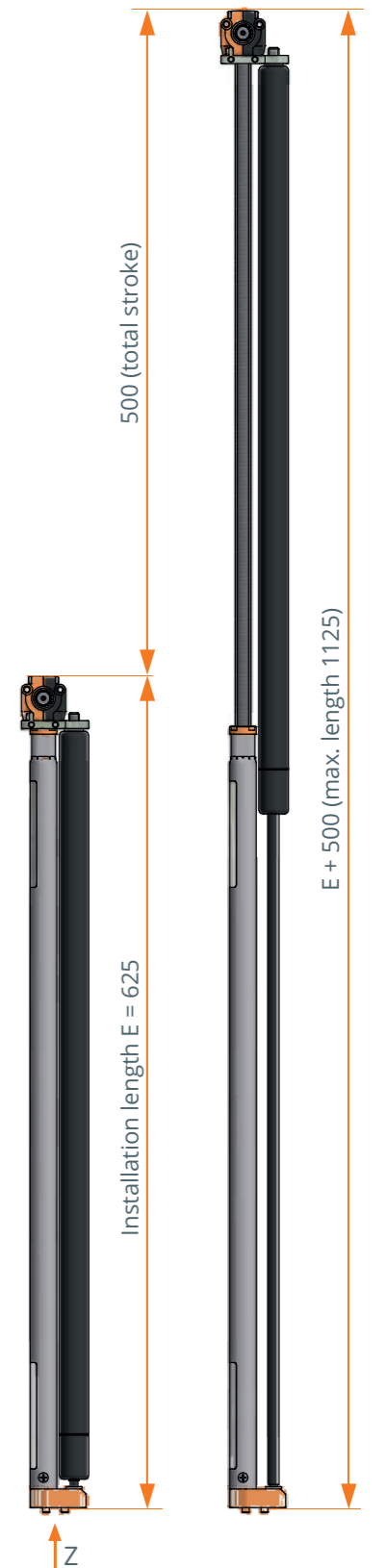
Brake unit 3052.09-V01AXXX



Deflection gear 3052.00-V01AXXX



Lifting unit 3052.00-0002



Crank lifting system Ket-Twist 660 3053

Double telescopic



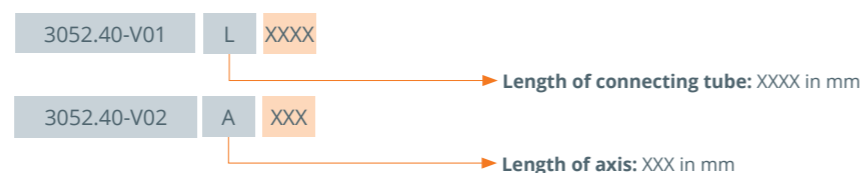
Description

Ket-Twist is a fast, double-telescoping, crank-operated lifting system for individually adjusting the working height of tables. The system allows a maximum stroke of 660 mm, requiring a minimal installation length of just 575 mm. Each turn of the crank lifts the table top about 40 mm. Ket-Twist 660 is designed for 2-leg table frames, which have a minimum of friction loss. It works smoothly and easily even with table loads of up to 40 kg.

Special features

- Compact design: Maximum stroke with minimal installation length
- Fast adjustment: Maximum height change with just 16.5 turns
- Connection tube in customized length
- Design fast and easy assembly
- Quick, easy assembly
- Independent of electrical connections: Flexibility in the room arrangement

Variant key

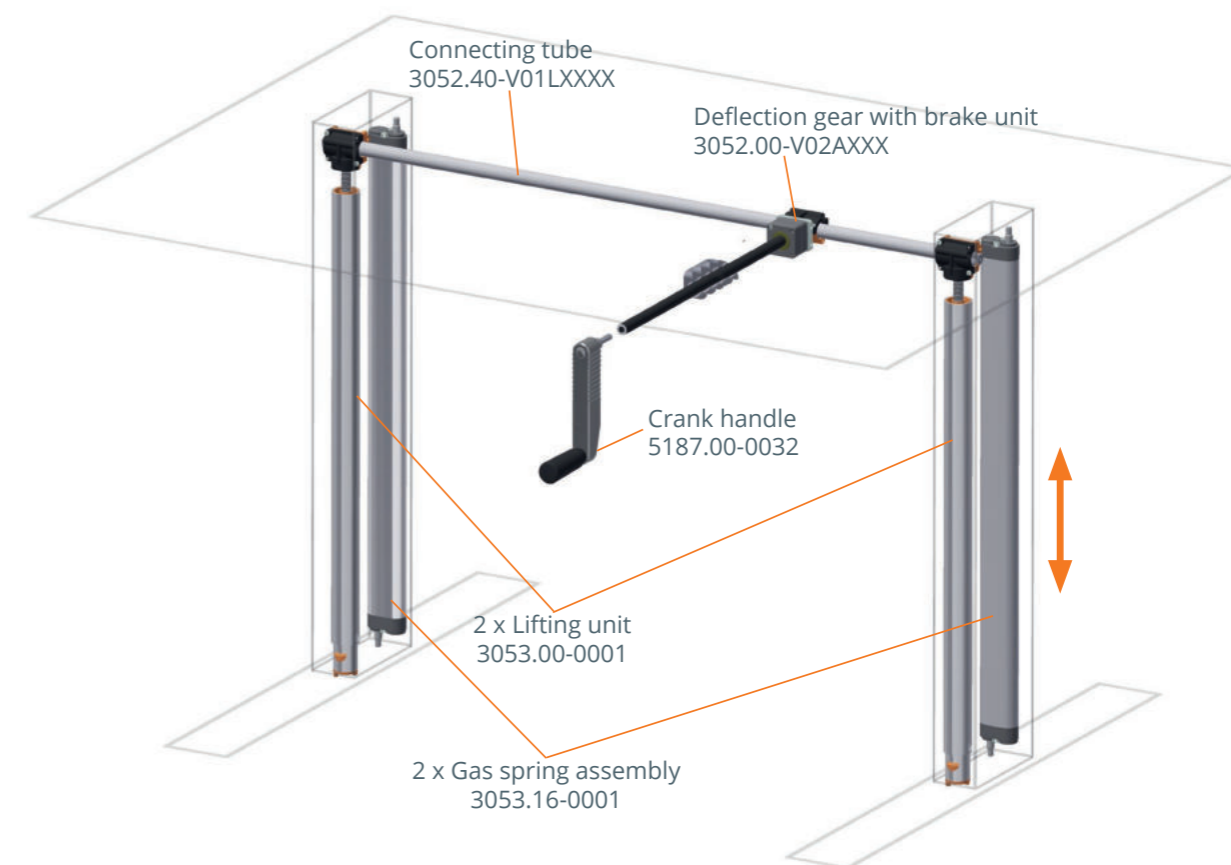


Technical data

Stroke:	660 mm*
Retracted length E:	575 mm*
Recommended table load:	0 – 40 kg
Static self-locking:	≤ 120 kg
Adjustment path per revolution:	40 mm
Spindle pitch:	2 x 20 mm
Ratio:	1:1
Gas spring force:	2 x 250 N/ Hubeinheit

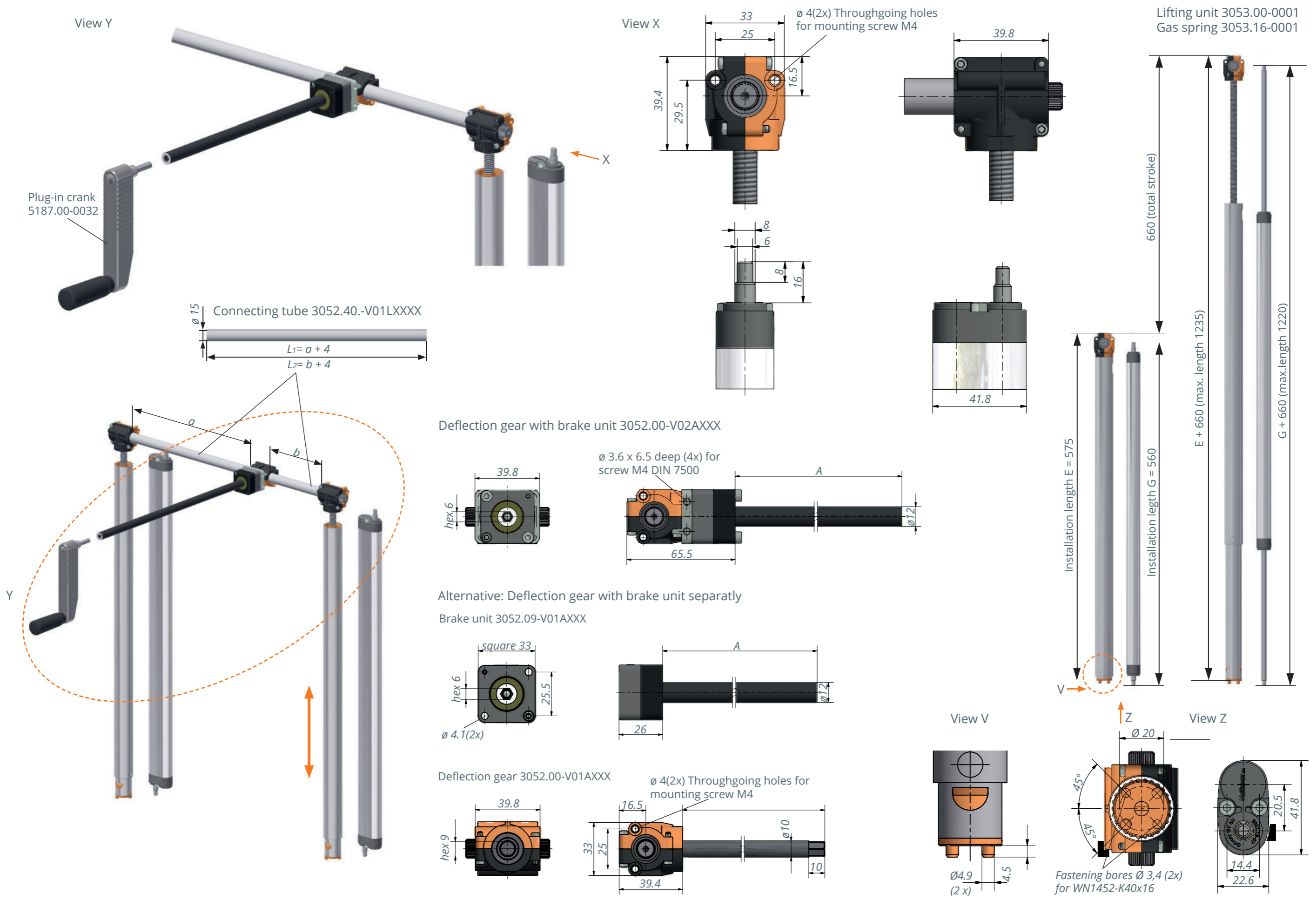
Crank lifting system	Lifting unit (right and left identical)	Gas spring assembly (each right and left)	Connecting tube (Customized)	Defelction gear with brake unit (Customized)
Installation length*	575 mm	560 mm	L ₁ = a+4 L ₂ = b+4	65.5 mm + XXX
Item number	3053.00-0001	3053.16-0001	3052.40-V01LXXXX	3052.00-V02AXXX

* Other dimensiones can be manufactured on request



Technical notes

- Optimum user comfort of the overall system can be only achieved by precise matching of the weight of the plate support, the table top and the guide columns as well as the friction loss of the guide. This coordination is necessary, because the characteristics of different table systems are always individual and must be taken into consideration in the system design.
- Ket-Twist components must be ordered separately.
- Upon request the lifting system can also be custom dimensioned, i.e. other lift and installation lengths are possible.
- Table manufacturer is responsible for integration of the gas spring assembly.
- **Safety instruction:** Gas springs can develop high acceleration forces. Please handle the assembly and this disassembly with care and diligence.



Monitor / TV-Lift Ket-Screen Lift S 4701

Description

Our TV lift allows you to determine when your screen should be visible – quickly and quietly at the press of a button.

Perfectly integrated in furniture, interior walls or ceilings, flat screens or monitors remain concealed until you need them.

Whether in the field of education, for business or personal use Ket-Screen convinces with its stability, ultra compactness and high-quality workmanship.

For monitors up to 24" (screen diagonal 60 cm) and weights up to 25 kg.

Special features

- High lifting speed
- Simple installation for different assembly situations
- Can be supplied with any stroke up to 750 mm
- Very low noise level allows applications in noise sensitive areas
- With integrated motor cable (1.2 m), see also pin assignment



Variante key

4701.00	Lift Small		
		Power supply EU/ 230 V & power cable with 3-pin Schuko plug	
	LS03	Standard: VESA standard fastening plate	
	LS05	Short: VESA standard fastening plate, min. installation length	
	LS07	Basic: Screen fixing on the carriage of the linear unit	
		Power supply USA/ 110 V & power cable with 3-pin plug	
	LS13	Standard: VESA standard fastening plate	
	LS15	Short: VESA standard fastening plate, min. installation length	
	LS17	Basic: Screen fixing on the carriage of the linear unit	
		Hub in mm	
		HXXXX	customized variable
4701.00-	LS03	H0600	Example

Technical data

Ket-Screen Lift Small	Standard	Short	Basic
Stroke	customer specification max. 750 mm	customer specification max. 750 mm	customer specification max. 750 mm
Retracted length	Stroke + 219 mm	Stroke + 157 mm	Stroke + 215 mm
Maximum load	250 N	250 N	250 N
Maximum screen size	24"	24"	24"
Movement speed	90 mm/s	90 mm/s	90 mm/s
Item number	4701.00-LSX3HXXXX	4701.00-LSX5HXXXX	4701.00-LSX7HXXXX

TV-Lift „Ket-Screen Lift S“ Set consisting of:

1x Control box Compact-3 in required power supply

- Controlled via manual switch
- Connection for anti-pinch system
- Dimensions: 264 x 103 x 37 mm



1x Power cable

- 3-pin Schuko - Europe (for variants LS0X) or alternatively
- 3-pin plug - USA (for variants LS1X)



Further power cables on the „Compact Controller“ page in the „Accessories“ chapter

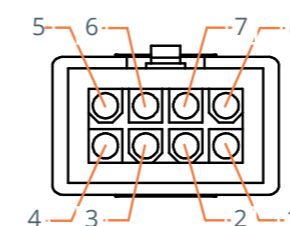
1x RF remote control set

- Consisting of RF receiver, remote control (including battery) and manual



Hand control with cable can be ordered separately on the page “Hand controls and motor cables” in the “Accessories” chapter.

Pin assignment



4. Motor black -
8. Motor blue +

2. Hall sensor red +5V
1. Hall sensor violet, output 1
3, 7. Hall sensor black -
5. Hall sensor green, output 2



Optional:
Additional
mounting plate

incl. screws for mounting
of the push rods

Attention:
The screws need to be se-
cured with thread lock fluid!

Item number: 4701.35-0007

Adjustment screw

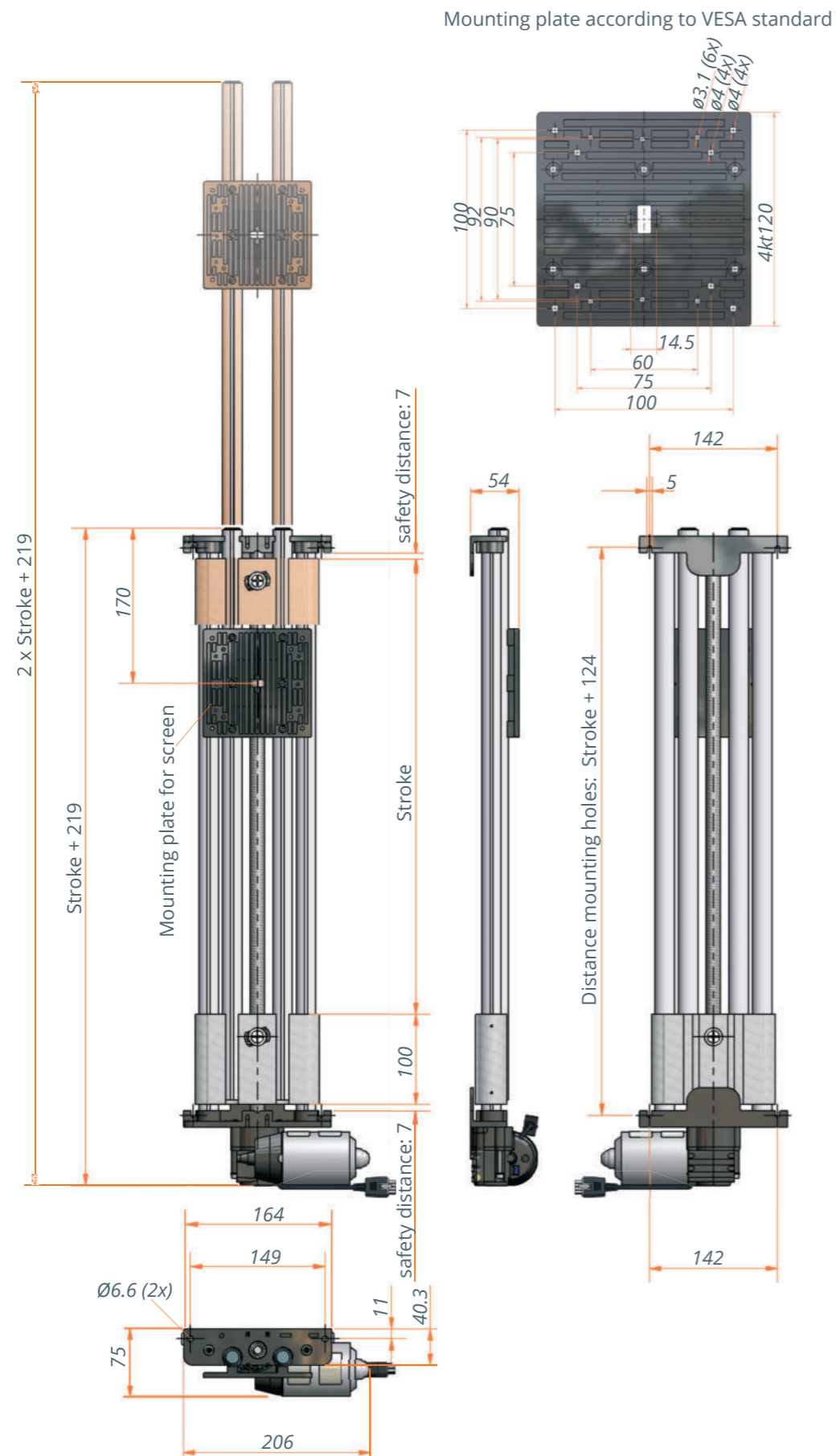
2 pieces incl. nut
adjustment range:
Max. 75 mm

Technical notes

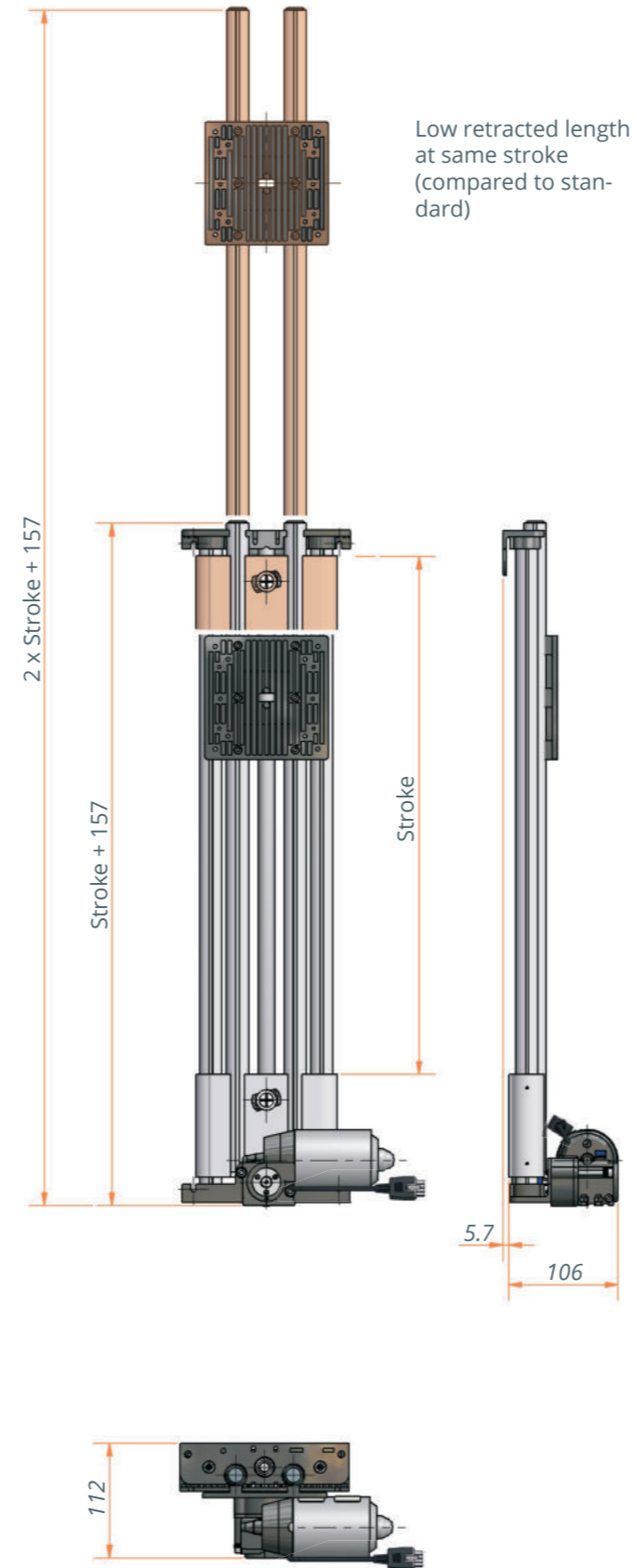
- **Safety instructions**
Please take attention to crushing points when installing in a housing.

- Attention: In case of repair the TV lift unit must always be returned together with the control unit

Standard

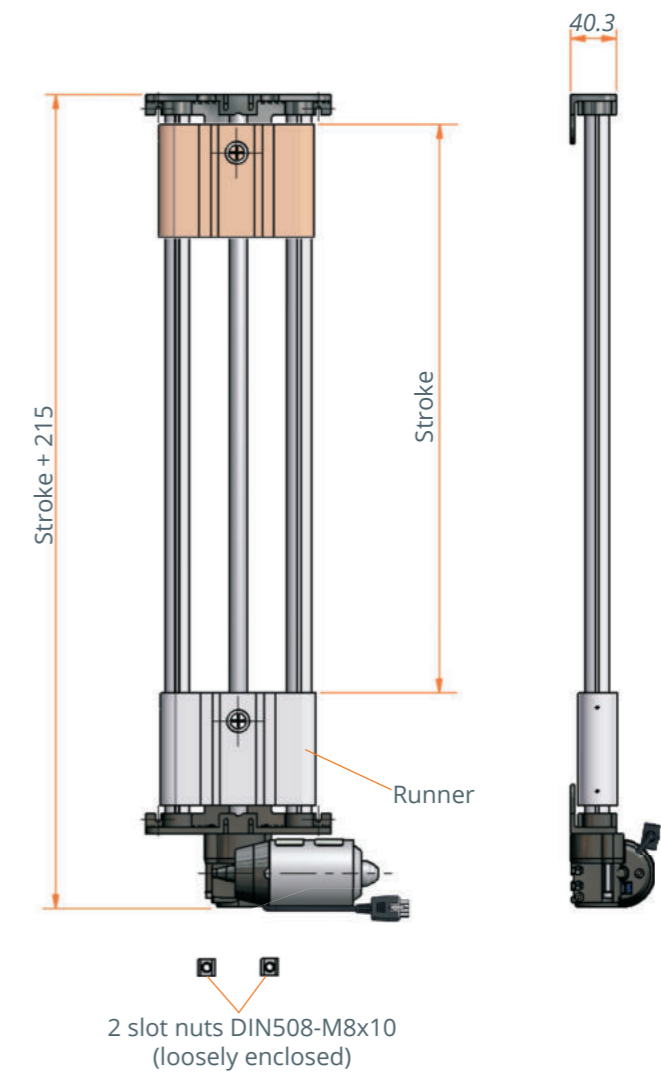


Short

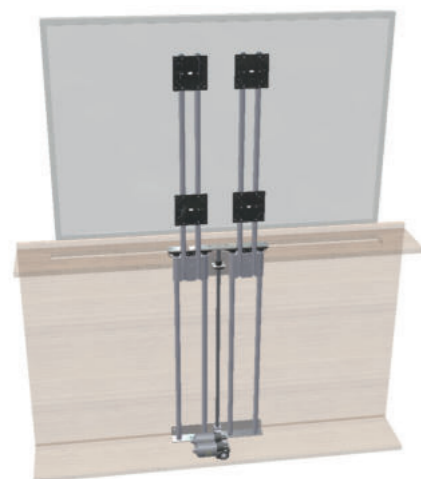


Basic

Screen mounting on the runner!



Monitor / TV-Lift Ket-Screen Lift L 4701





Description

Our TV lift allows you to determine when your screen should be visible - quickly and quietly at the press of a button. Perfectly integrated in furniture, interior walls or ceilings, flat screens or monitors remain concealed until you need them. Whether in the field of education, for business or personal use, Ket-Screen convinces with its stability, ultra compactness and high-quality workmanship. For monitors up to 50" (screen diagonal 127 cm) and weights up to 70 kg.

Special features

- High lifting speed
- Simple installation for different assembly situations
- Can be supplied with any stroke up to 1100 mm
- Very low noise level allows applications in noise sensitive areas

Variant key

4701.00	Lift Large		
	Power supply EU/ 230 V & power cable with 3-pin Schuko plug 		
	LL01	High load: VESA standard fastening plate	
	LL03	Standard: VESA standard fastening plate	
	Power supply USA/ 110 V & power cable with 3-pin plug 		
	LL11	High load: VESA standard fastening plate	
	LL12	Standard: VESA standard fastening plate	
	Hub in mm		
	HXXXX	customized variable	
4701.00-	LL01	H0600	Example

Technical data

Ket-Screen Lift Large	High load	Standard
Stroke	customer specification max. 1100 mm	customer specification max. 1100 mm
Retracted length	Stroke + 142 mm	Stroke + 142 mm
Maximum load	700 N	300 N
Maximum screen size	50"	50"
Movement speed	90 mm/s	90 mm/s
Item number	4701.00-LLX1HXXXX	4701.00-LLX2HXXXX

TV-Lift „Ket-Screen Lift L“ Set consisting of:

1x Control box Compact-3 in required power supply

- Controlled via manual switch
- Connection for anti-pinch system
- Dimensions: 264 x 103 x 37 mm



1x Power cable

- 3-pin Schuko - Europe (for variants LS0X) or alternatively
- 3-pin plug - USA (for variants LS1X)



Further power cables on the „Compact Controller“ page in the „Accessories“ chapter

1x Motor cable

- Standard variants (LL02 and LL12):
The cable is integrated in the motor
- High load variants (LL01 and LL11):
Two motor cables (approx. 2 m long) are attached

1x RF remote control

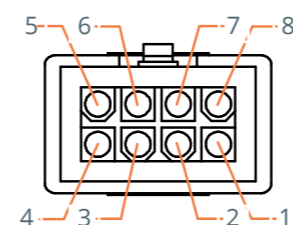
- Consisting of RF receiver, remote control (including battery) and manual



Hand control with cable can be ordered separately on the page "Hand controls and motor cables" in the "Accessories" chapter.

Pin assignment

Motor, respectively motor cable at LL01/LL11



- 4. Motor black -
- 8. Motor blue +

- 2. Hall sensor red +5V
- 1. Hall sensor violet, output 1
- 3, 7. Hall sensor black -
- 5. Hall sensor green, output 2



Adjustment screw

2 pieces incl. nut
adjustment range: max. 75 mm

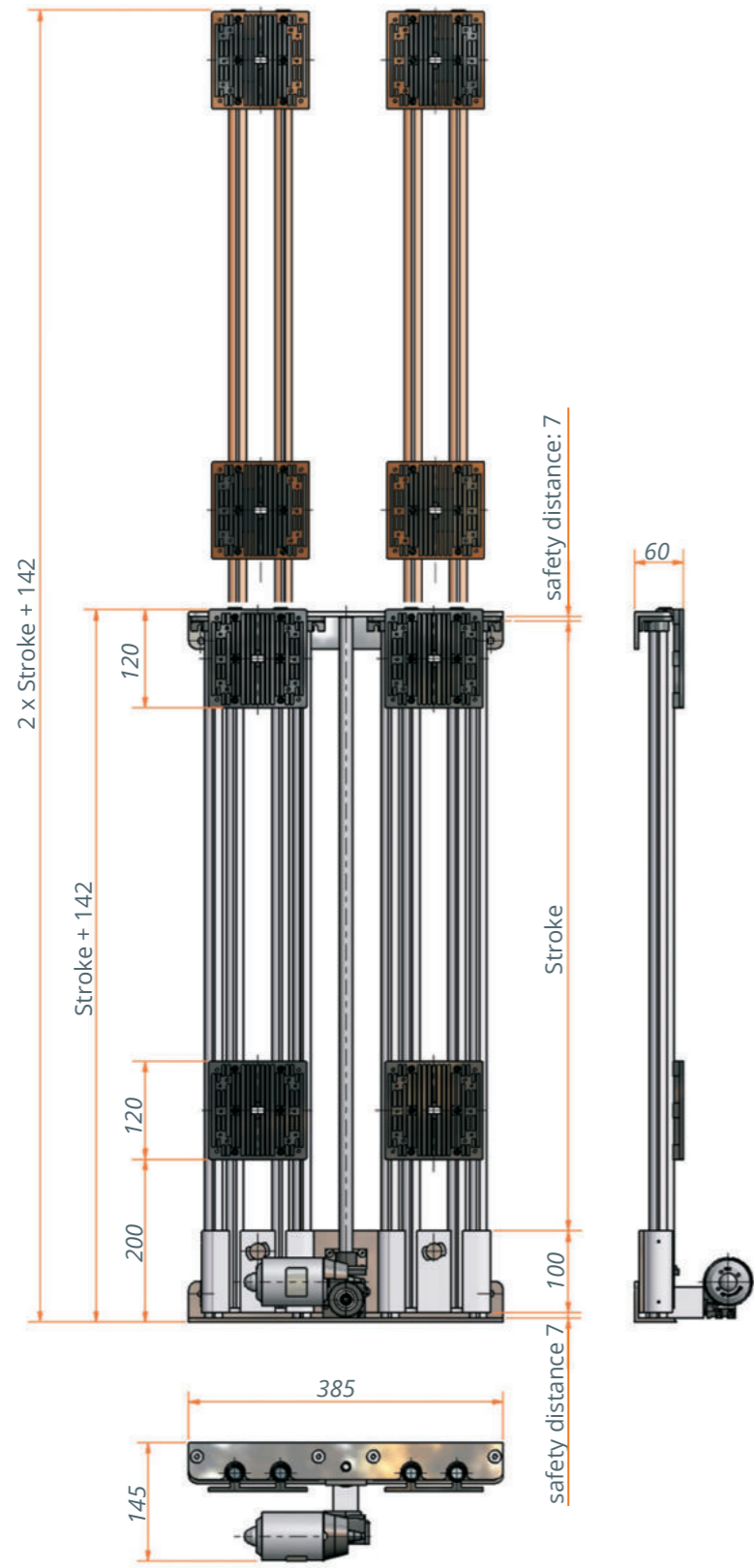
Technical notes

Safety instructions

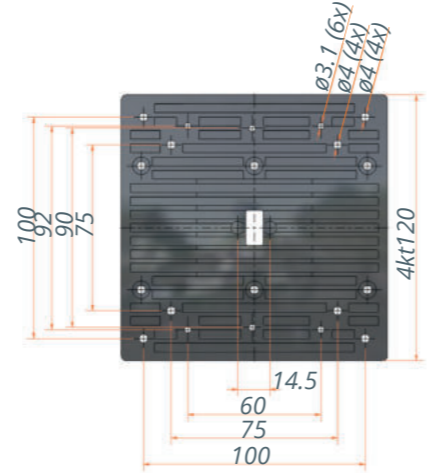
Please take attention to crushing points when installing in a housing.

- Attention: In case of repair the TV lift unit must always be returned together with the control unit

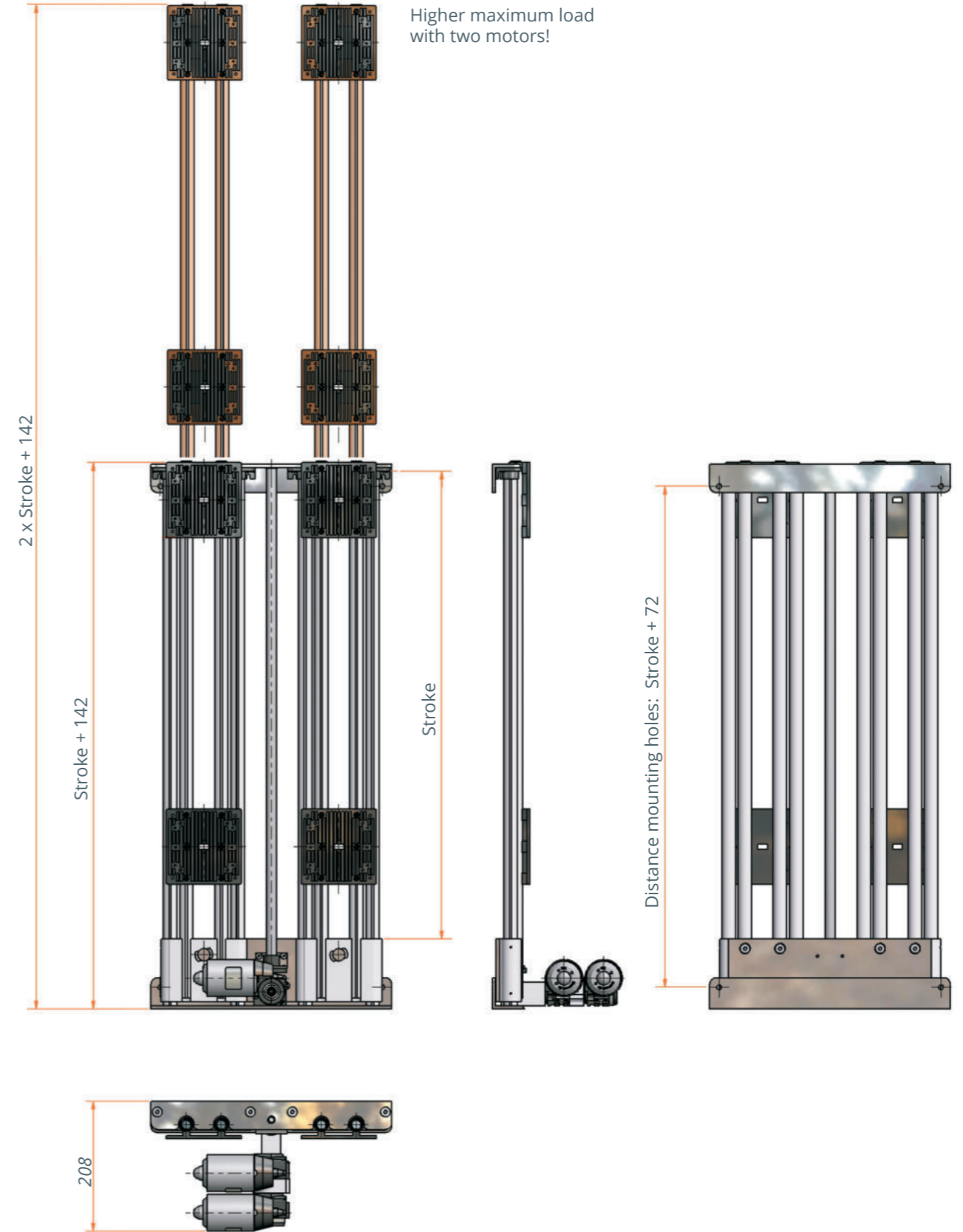
Standard



Mounting plate according to VESA Norm



High Load



Monitor / TV-Lift Ket-Spring Lift S 4701

Description

Compact lifting system for flat screens. Lifted by a gas spring without motor drive.

Special features

- Smooth stop of the unit trough a damped gas spring
- Very small unit, suitable for tight spaces
- Customer specific lengths and lifting forces can be realized with a minimum order quantity of 100 pieces

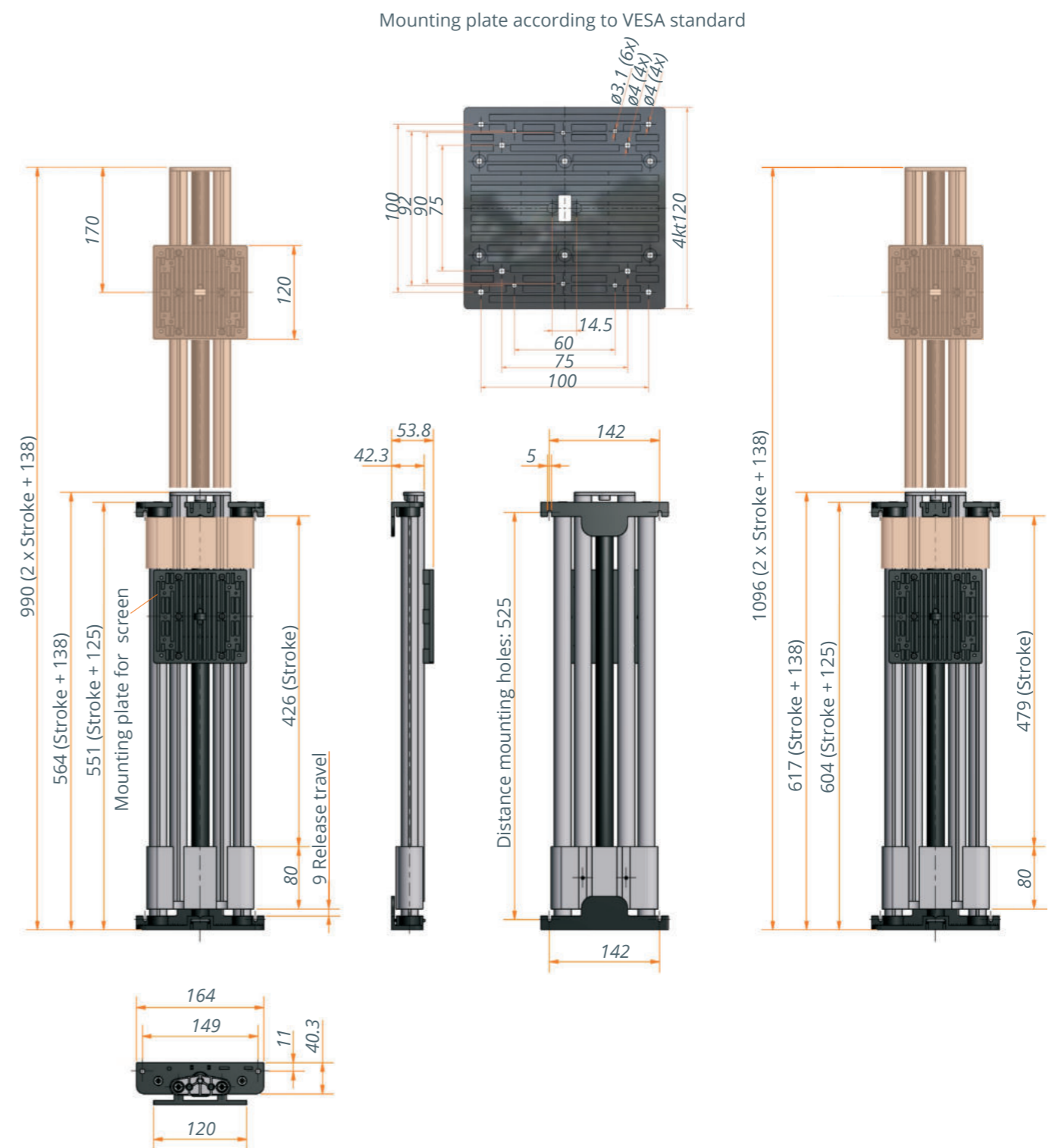


Technical data

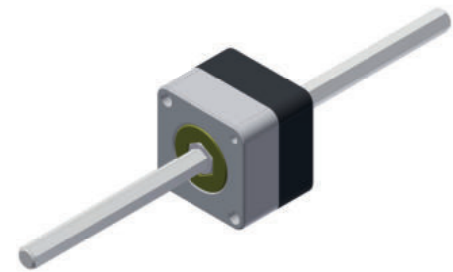
Ket-Screen Lift Small	S 426	S 479	Customized design from 100 pcs. upwards
Stroke	426 mm	479 mm	Customer specification
Min. retracted length	564 mm	617 mm	Stroke +138 mm
Max. load for vertical installation	45 N	80 N	Customer specification
Recommended max. screen size	24"	24"	24"
Item number	4701.00-2000	4701.00-2001	4701.00-2XXX

S 426

S 479



Brake unit 3052.09



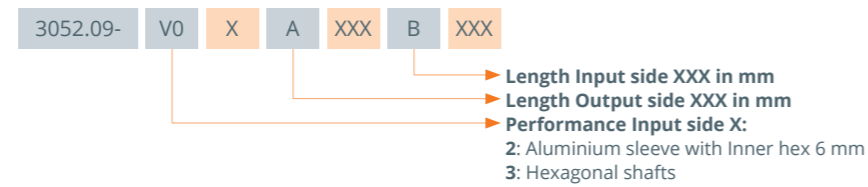
Description

Very slim, compact brake unit for manually adjustable applications. Can be used flexibly, in combination with lifting gears.

Special features

- Synthetic gear housing
- Simple mounting
- Input and output can be supplied in various lengths, based on customer requirements

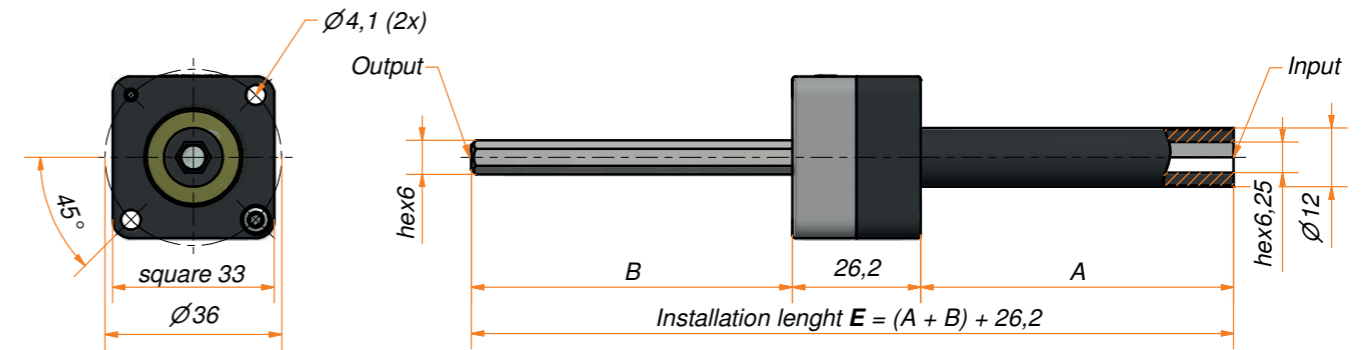
Variant key



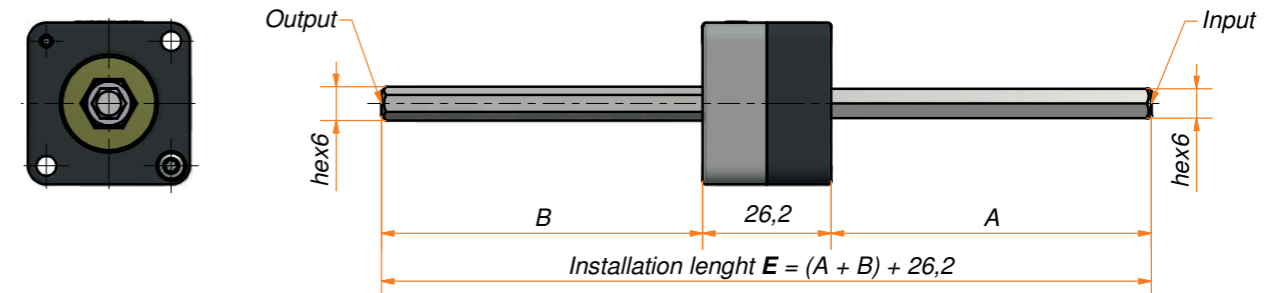
Technical data

Model	3052.09-V02AXXXBXXX	3052.09-V03AXXXBXXX
Input	Inner hex 6 mm Length A customer specific	Hex 6 mm Length A customer specific
Output	Hex 6 mm Length B customer specific	Hex 6 mm Length B customer specific
Max. holding torque	10 Nm	10 Nm
Max. output torque	4 Nm	4 Nm
Application	Manual drives	Manual drives

3052.09-V02AXXXBXXX



3052.09-V03AXXXBXXX



Crank handles: Crank body steel

Description

Wire-flexured cranks in several measurements with crank grips made of synthetic material.

Special features

- Made of steel or stainless steel
- Customized production possible
- Customer specific solutions can be realized rapidly at a competitive price, by use of a production method which does not depend on specific tools or designs

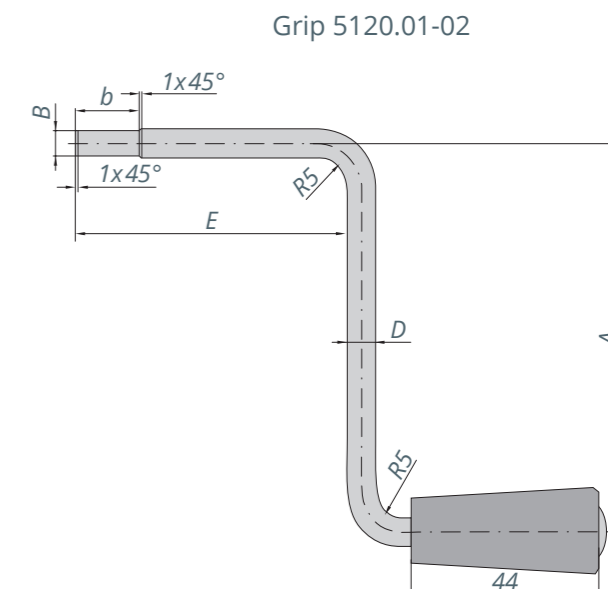
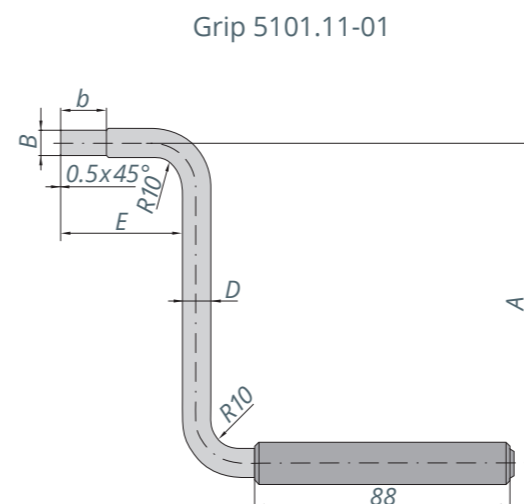


Crank-handles with grip 5101.11-01

Item-Number	A	B	D	E	b	Material
5108.00-00	100	Hex 9 mm	Ø10	62	15	Stainless steel
5104.00-00	110	Hex 9 mm	Ø10	60	15	Stainless steel
5109.00-00	110	Inner hex 6 mm	Ø10	60	12	Stainless steel

Crank-handles with grip 5120.01-02

Item-Number	A	B	D	E	b	Material
5147.00-00	65	Hex 5 mm	Ø7	53	15	Stainless steel
5132.00-00	90	Hex 5 mm	Ø7	110	15	Stainless steel
5153.00-00	90	Hex 5 mm	Ø7	63	15	Stainless steel
5156.00-13	90	Hex 6 mm	Ø7	33	20	Steel
5183.00-0000	90	Hex 6 mm	Ø7	200	20	Stainless steel
5156.00-0011	115	Inner hex 6 mm	Ø7/ Ø12	503	480	
5156.00-10	90	Hex 6 mm	Ø7	33	20	Steel
5156.00-00	90	Hex 6 mm	Ø7	33	20	Stainless steel
5159.00-00	90	Hex 6 mm	Ø7	60	20	Stainless steel
5157.00-00	90	Hex 6 mm	Ø7	85	20	Stainless steel
5163.00-00	90	Hex 6 mm	Ø7	116.5	20	Stainless steel
5165.00-00	105	Hex 6 mm	Ø7	85.5	12	Stainless steel
5158.00-00	150	Hex 6 mm	Ø7	33	20	Stainless steel
5133.00-00	90	Hex 7 mm	Ø8	62	15	Stainless steel



Crank-handle 5180

Description

Crank-handle grip and the crank extension are made of glass-fibre reinforced synthetic material.

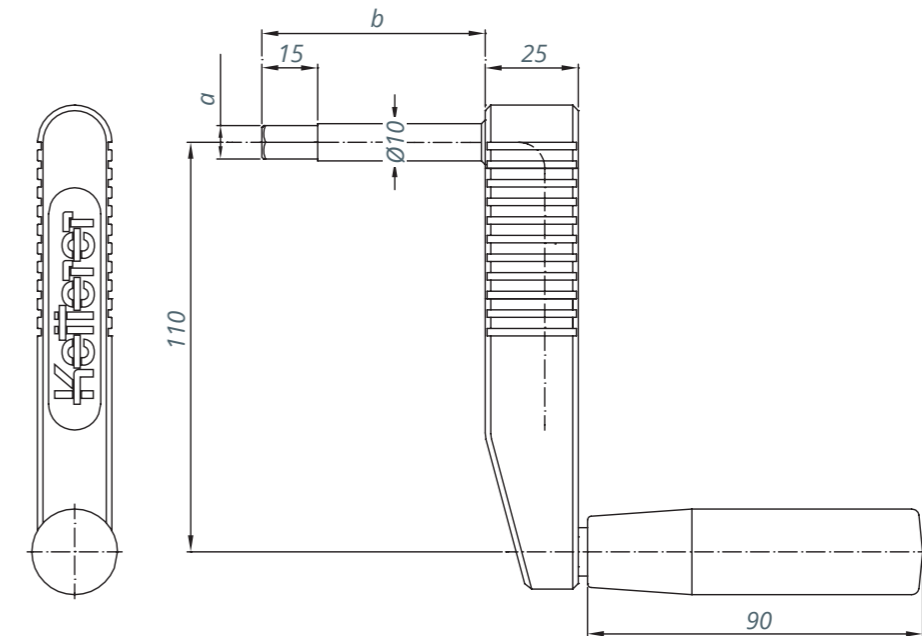
Special features

- Modern design
- On request, the type and length of the hexagonal bolt as well as the colour of the crank body can be produced to customer specification
- On request, an own logotype is possible

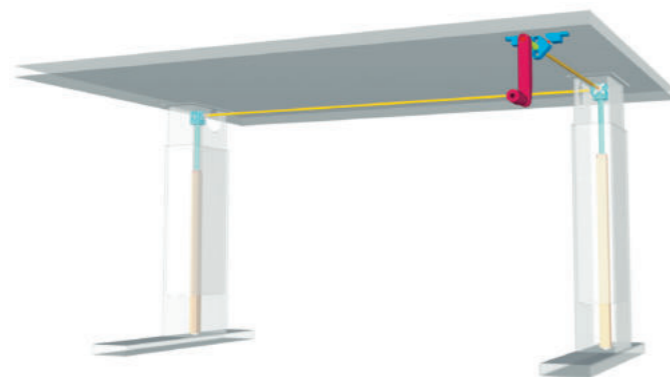


Technical data

Model	5180 Standard	5180 Customer specific
Measure a	Hex 9 mm	On request
Measure b	60 mm	On request
Type of hexagonal bolt	Hardened/Blank	On request
Colour (crank body and grip)	Black	On request
Logotype	Without	Your logotype



Application example



Crank-handle 5186



Description

Crank-handle grip and crank extension are made of glass-fibre reinforced synthetic material.

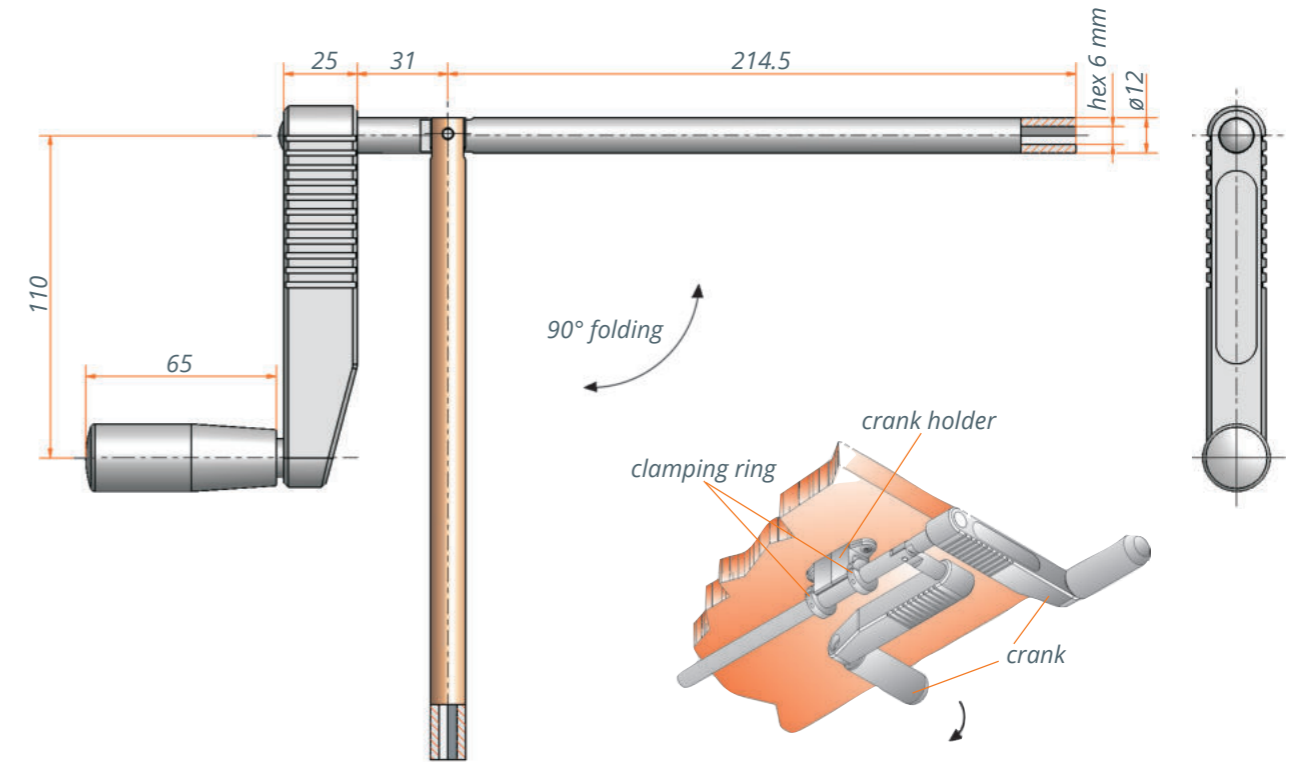
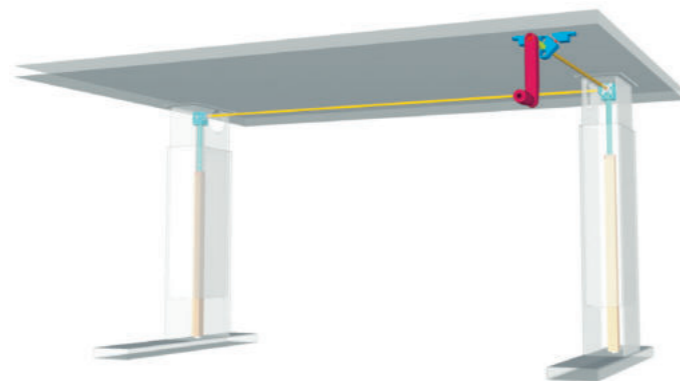
Special features

- Modern design
- Can be folded by 90°.
- On request, the type and the length of the hexagonal bolt as well as the colour of the crank body can be produced to customer specifications
- On request, an own logotype is possible

Technical data

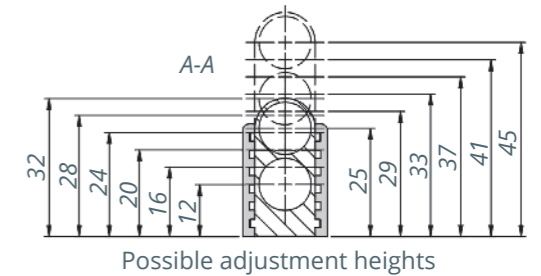
Model	5186
Crank extension	110 mm
Type of hexagonal bolt	Inner hex 6 mm
Dynamic torque	2 Nm

Application example

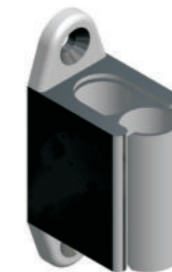


Technical notes

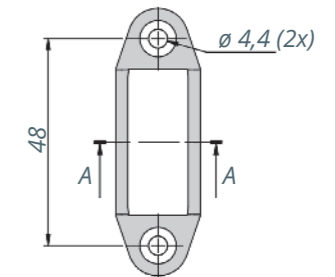
- Crank holder, made of black synthetic material, for a 12 mm diameter crank shaft. The holder can be adjusted from a height of 12 mm up to 45 mm.
- Clamping ring, made of black synthetic material, for shaft with diameter 12 mm. You need 2 clamping rings to secure the crank shaft on the crank holder. The fixing nut is enclosed.



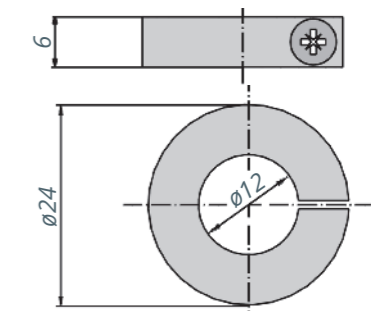
Possible adjustment heights



Crank holder
Order number 5186.19-0000



Clamping ring
Order number 5186.10-0001



Crank-handle 5187



Description

Crank-handle grip and crank extension are made of glass-fibre reinforced synthetic material.

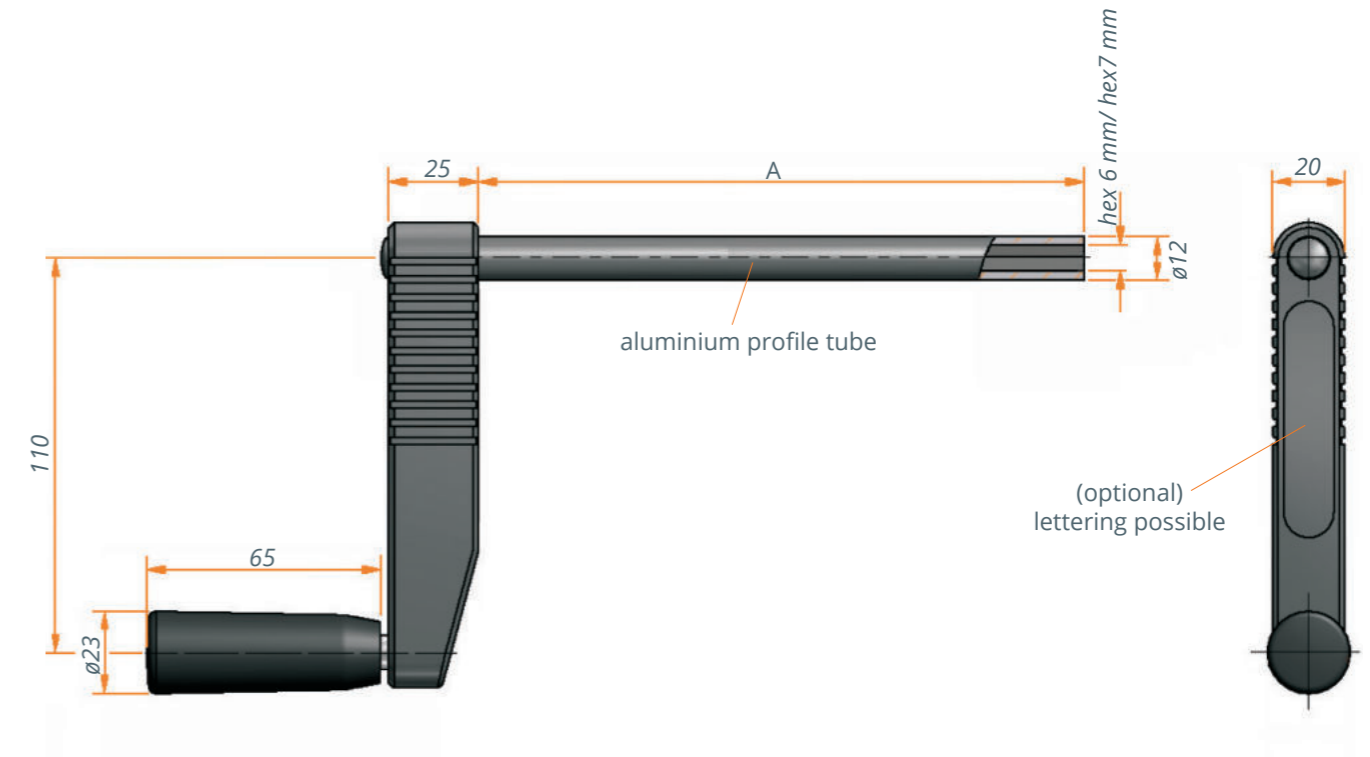
Special features

- Modern design
- On request, the type and the length of the hexagonal bolt as well as the colour of the crank body can be produced to customer specifications
- On request, an own logotype is possible

Variant key

5187.00- V0 X A XXX

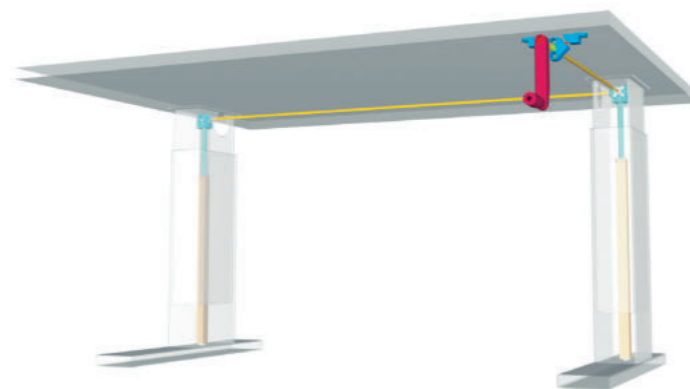
- ▶ Length of crank extension: XXX in mm
- ▶ Type of profile tube X: 1: Inner hex 6 mm
2: Inner hex 7 mm



Technical data

Model	5187.00-V01AXXX	5187.00-V02AXXX
Crank extension	Customer specific	Customer specific
Type of profile tube	Inner hex 6 mm	Inner hex 6 mm
Material	Synthetic crank body and handle	Synthetic crank body and handle
Length A	Customer specific	Customer specific
Colour	Black (more colours available on request)	Black (more colours available on request)

Application example



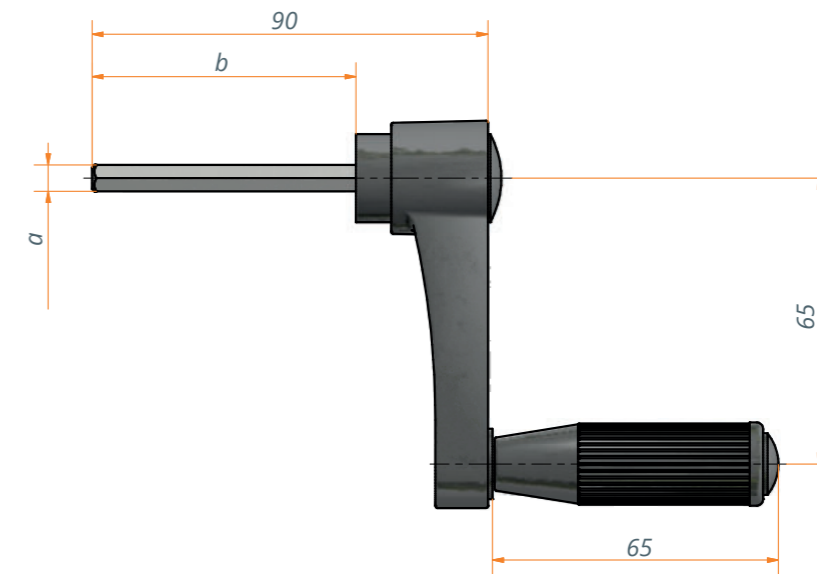
Crank-handle 5190

Description

Crank-handle grip and crank extension are made of glass-fibre reinforced synthetic material.

Special features

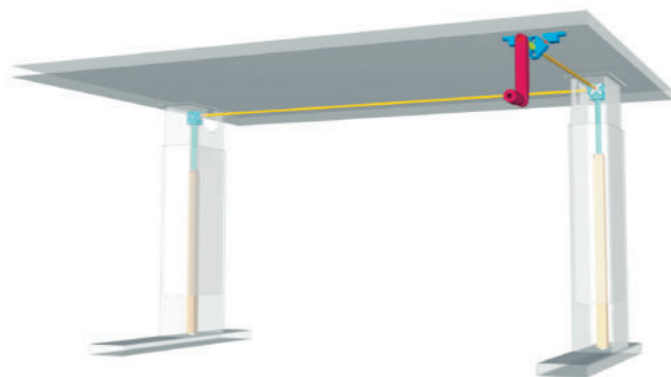
- Modern design
- On request, the type and the length of the hexagonal bolt as well as the colour of the crank body can be produced to customer specifications



Technical data

Model	5190.00-0000	5190 Customer specific
Measure a	Hex 6 mm	On request
Measure b	60 mm	On request
Type of hexagonal bolt	Alvanized	On request
Colour (Crank body and grip)	Black	On request

Application example



Control box Compact-e-3



Description

Compact is the control unit for hight adjustable workstations and is matched to all Ketterer drives.

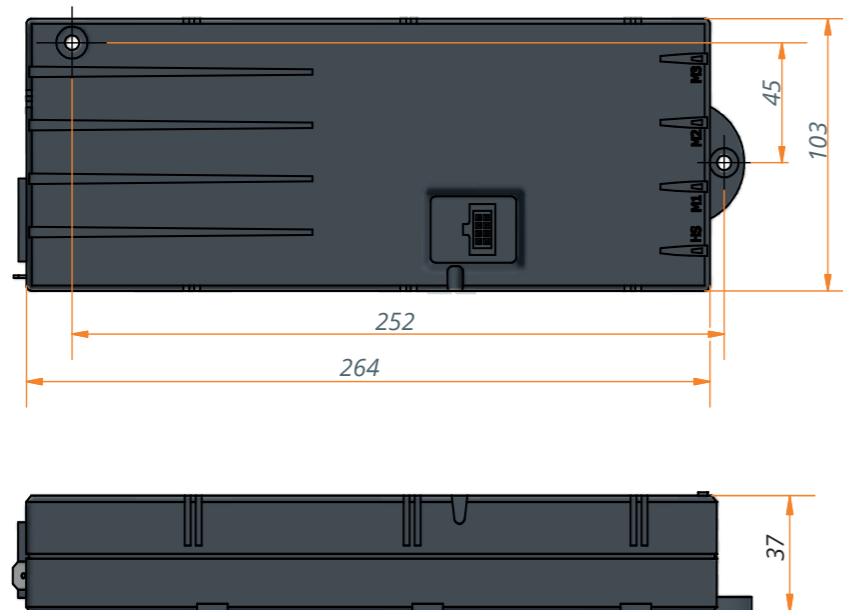
With one control unit can be controlled:

- up to three drives in parallel structure (one or two drives follow the master drive)
- two drives synchronously (drives are individually controlled)

Special features

- Control box Compact^{eco}, Firmware-Version 1.9
- Voltage supply variants: 230 V and 110 V
- Freely stroke with hand switch with display (HSU-MDF-4M2-LD or TOUCHfx) programmable
- Ketterer can preprogram a desired stroke
- Duty cycle 2 min. ON/ 18 min. OFF
- Power cable has to be ordered separately

Technical data








further details under www.logicdata.at

Control box	Description	Drives for use with
1000.49-36 / Compact-e-3-KTS-4778-EU	one to three motors parallel	(4778, 4779)**
1000.49-46 / Compact-e-3-KTS-4778-US	one to three motors parallel	
1000.49-37 / Compact-e-3-KTS-4779-EU	one to three motors parallel	
1000.49-47 / Compact-e-3-KTS-4779-US	one to three motors parallel	(3143.00-V01/ V02)* (4114, 4630, 4773) * 4643 **
1000.49-01 / Compact-e-3-KTS-4630-EU	one to three motors parallel	
1000.49-02 / Compact-e-3-2-KTT-4630-EU	two motors synchronous	
1000.49-11 / Compact-e-3-KTS-4630-US	one to three motors parallel	3143.00-V03**
1000.49-12 / Compact-e-3-2-KTT-4630-US	two motors synchronous	
1000.49-28 / Compact-e-3-KTS-3143.00-V03-EU	one to three motors parallel	
1000.49-29 / Compact-e-3-2-KTT-3143.00-V03-EU	two motors synchronous	(3120, 3121, 3130)**
1000.49-38 / Compact-e-3-KTS-3143.00-V03-US	one to three motors parallel	
1000.49-39 / Compact-e-3-2-KTT-3143.00-V03-US	two motors synchronous	
1000.49-03 / Compact-e-3-KTS-3130-EU	one to three motors parallel	3122 **
1000.49-04 / Compact-e-3-2-KTT-3130-EU	two motors synchronous	
1000.49-13 / Compact-e-3-KTS-3130-US	one to three motors parallel	
1000.49-14 / Compact-e-3-2-KTT-3130-US	two motors synchronous	3133.00
1000.49-05 / Compact-e-3-KTS-3122-EU	one to three motors parallel	
1000.49-06 / Compact-e-3-2-KTT-3122-EU	two motors synchronous	
1000.49-15 / Compact-e-3-KTS-3122-US	one to three motors parallel	3133.48 **
1000.49-16 / Compact-e-3-2-KTT-3122-US	two motors synchronous	
1000.49-09 / Compact-e-3-KTS-3133.00-EU	one to three motors parallel	
1000.49-10 / Compact-e-3-2-KTT-3133.00-EU	two motors synchronous	3133.00
1000.49-19 / Compact-e-3-KTS-3133.00-US	one to three motors parallel	
1000.49-20 / Compact-e-3-2-KTT-3133.00-US	two motors synchronous	
1000.49-07 / Compact-e-3-KTS-3133.48-EU	one to three motors parallel	3133.48 **
1000.49-08 / Compact-e-3-2-KTT-3133.48-EU	two motors synchronous	
1000.49-17 / Compact-e-3-KTS-3133.48-US	one to three motors parallel	
1000.49-18 / Compact-e-3-2-KTT-3133.48-US	two motors synchronous	

* Motor cable 4138.53-01/ Length 1 m or 4138.53-02/ Length 2 m

** Motor cable 3122.53-02/ Length 1.75 m

Power cable	Connector
3143.53-22 / Power cable LOG-CBL-PWK	plug for control with 3-pin Schuko - Europe 
3143.53-23 / Power cable LOG-CBL-PWK-UK	for control with 3-pin plug - UK 
3143.53-24 / Power cable LOG-CBL-PWK-DK	for control with 3-pin plug - Denmark 
3143.53-25 / Power cable LOG-CBL-PWK-SW	for control with 3-pin plug - Schweiz 
3143.53-28 / Power cable LOG-CBL-PWK-USA	for control with 3-pin plug - USA 

Technical notes

- For stroke programming or changing on site a hand switch with display is always required (see hand control and motor cables)
- Please note the permissible duty cycle of the controller. If the operating times are exceeded the controller switches off automatically
- Attention: Electric drives usually have a shorter-duty cycle than controllers and are thus system-leading.

Hand control for controller Compact and motor cables



Ketterer's range of accessories offers a large selection of hand switches in various designs, with or without display, with simple or touch buttons and various motor cables to suit the respective Ketterer drives.

Special features

- Stepless adjustment
- User-defined and application-oriented control of your stepless adjustment
- Can be used with the Compact controller and all Ketterer motor drives

Technical data

Motor cable	For use with drives
4138.53-01/ Length 1 m 4138.53-02/ Length 2 m	4630, 4773
3122.53-02/ Length 1,75 m	4643, 3120, 3121, 3122, 3133.48

Hand switch	Description
3143.47-50/ HSU-C-FL-SM-LD	Switch with display and four memory positions, stroke heights and two up-down buttons, free programmable
3143.47-48/ TOUCH-FX-MDF-KM-LD	Switch with display and four memory positions, with touch & click function
3143.47-30/ HSM-OD-2-LD	Simple hand control, up-down
3143.47-42/ TOUCH-Basic-UD-2-LD	Simple hand control up-down, with touch function
3143.47-0003/ Receiver, remote control	RF remote control consisting of RF receiver, remote control (including battery and mounting screws), and manual

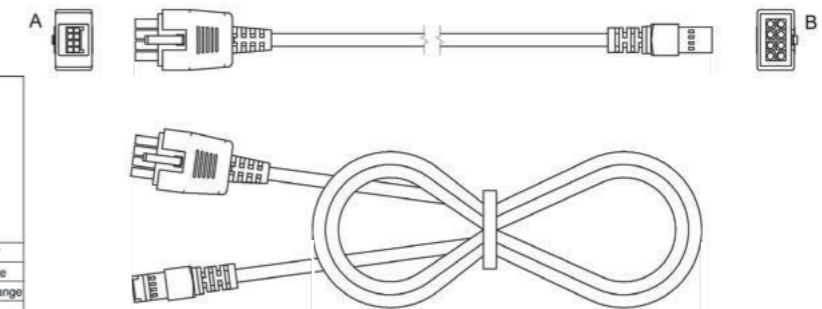
* Further details under <http://www.logicdata.at>

Motor cable 4138.53-01: 1 m long
4138.53-02: 2 m long

AMP - Serie HE 14 plug allocation

A			B		
1	3	5	7	4	5
2	4	6	8	3	6
3	5	7	1	2	7
4	6	8	2	1	8

Pin-No.	signal	colour	Pin-No.	signal	colour
6,8	motor blue	black, blue	4	motor blue	black, blue
5,7	motor red	brown, orange	8	motor red	brown, orange
2	+5VDC, reverb	red	2	+5VDC, reverb	red
4	GND, reverb	grey	3,7	reverb-signal 2	grey
3	reverb-signal 2	green	5	GND, reverb	green
1	reverb-signal 1	violet	1	reverb-signal 1	violet

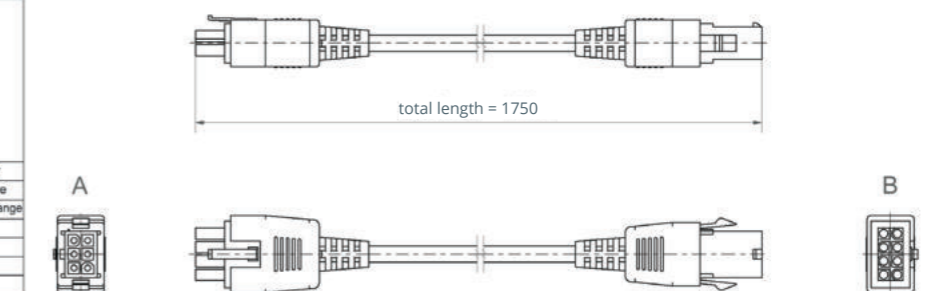


Motor cable 3122.53-02: 1.75 m long

AMP - 172160 plug allocation

A			B		
1	4	5	4	5	6
2	5	6	3	6	7
3	6	1	2	7	8
4	1	2	1	8	

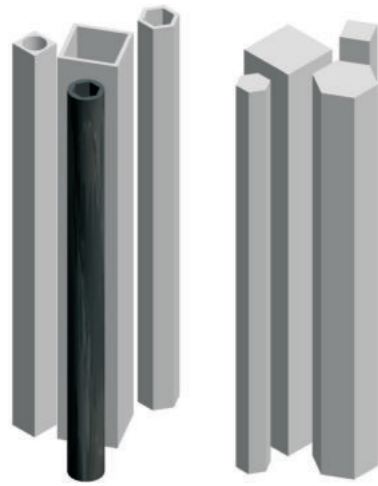
Pin-No.	signal	colour	Pin-No.	signal	colour
1	motor blue	black, blue	4	motor blue	black, blue
2	motor red	brown, orange	8	motor red	brown, orange
3	+5VDC, reverb	red	2	+5VDC, reverb	red
4	reverb-signal 2	green	5	reverb-signal 2	green
5	GND, reverb	gray	3,7	GND, reverb	gray
6	reverb-signal 1	violet	1	reverb-signal 1	violet



Technical notes

- Hand switches with touch function require the Compact controller with firmware Version 1.9
- For stroke programming or changing the travel on site a hand switch with display is always required

Profile tubes - Profile rods



Description

You get profile rods and profile tubes as rods in a length of 3 m.

Special features

- Profile rods are made of steel and drawn according to DIN EN 10278 (hexagon bars)
- Profile rods are made of steel and drawn according to DIN EN 10278 (square bars)
- Profile tubes are made of steel, brass or aluminium (black anodized) and drawn according to DIN EN 10305
- Further profile rods, profile tubes, special lengths and machining on request

Profile tubes drawn according to DIN EN 10305

Item number Steel version	Item number Brass version	Item number Aluminium black (anodized) Aluminium-tube DIN 17611 / quality E6	Outer dimension	Inner dimension
209R0.08.0-6kt5	-	-	Ø8	hex 5 mm
209R0.09.0-6kt6-SL	-	-	Ø9	hex 6 mm
209R0.10.0-6kt6	-	-	Ø10	hex 6 mm
209R0.10.0-6kt7	-	-	Ø10	hex 7 mm
209R0.12.0-4kt7	203R0.12.0-4kt7	-	Ø12	square 7 mm
-	203R0.12.0-4kt8	-	Ø12	square 8 mm
209R0.12.0-6kt6	-	201R0.12.0-6kt6SL*	Ø12	hex 6 mm
-	-	201R0.12.0-6kt7*	Ø12	hex 7 mm
-	-	201R0.12.0-6kt8*	Ø12	hex 8 mm
209R6.09.0-6kt6	-	-	hex 9 mm	hex 6 mm
209R6.12.0-6kt9	-	-	hex 12 mm	hex 9 mm

* Due to the manufacturing process, the aluminium tubes with inner profile always have a slight twist. Therefore, it cannot be ruled out that a 6kt profile bar will jam when pushed through.

Profile rods drawn according to DIN EN 10278 (hexagon and square bars)

Item number Steel version	Item number Brass version	Outer dimension
209S4.06.0	203V4.06.0	square 6mm
209S6.05.0		hex 5 mm
209S6.06.0		hex 6 mm
209S6.07.0		hex 7 mm
209S6.08.0	203V6.08.0	hex 8 mm
209S6.09.0		hex 9 mm
209S6.12.0	203V6.12.0	hex 12 mm

B. Ketterer Söhne GmbH & Co. KG
Bahnhofstrasse 20
78120 Furtwangen
Germany

Phone: +49 7723 6569-10
Mail: info@ketterer.de
Web: www.ketterer-drives.com

© Ketterer Drives, 17.04.2023

www.ketterer.de